

<p>GlobTek, Inc. www.globtek.com 186 Veterans Drive, Northvale, NJ 07647 Tel. (201) 784-1000 Fax (201) 784-0111</p>	<p>Drawing Title: GT-46181-1812-T2, ICT/ITE Power Supply, Efficiency Level: USA DOE Level VI / Eco-design Directive 2009/125/EC, (EU) 2019/1782, Case Color/Style: GlobTek Black, Desktop/External, Regulated Switchmode AC-DC Power Supply AC Adaptor, Input Rating: 100-240V~, 50-60 Hz, IEC 60320/C8 , Output Rating: 18W, 12.0V@1.5A, Output Configuration: 1200 mm, 20/2 Cond, UL 2468, MOLEX P/N:43645-0300 Micro-Fit 3.0™ Receptacle Housing, 3 Circuits, with 43030 Female crimp terminals *** NO substitute permitted **, Ferrite: Core Size: 12*20*7.3mm, GlobTek Black, GT Cord # C4551, Pin Out: Pin 1: V+ Pin 2: N/C Pin 3: COM/GND, Blades/Input Cord: (Order Separately), Approvals: 230V CoC Tier 2; EAC; CB 62368; UKCA; cULus; Conforms to 62368-1; Morocco; PSE; RCM; CE; China RoHS; Double Insulation; IP40; Level VI; LPS 62368; PSE; RoHS; Ukraine; VCCI; WEEE; cULus; S-Mark 60950; CB 60950;</p>
	<p>Model No. GT-46181-1812-T2</p>
	<p>Part No./Ordering No. TR9KE1500MLX-N(R6B) Rev H</p>

In Addition to GlobTek Inc.'s renewed ISO9001:2015 - Quality Management System Certification, GlobTek Inc. is now certified to:

ISO13485:2016 - Medical Devices Quality Management System Certification

ISO14001:2015 - Environmental Management System Certification

ISO Certificates are available online at <https://www.globtek.com/iso-certificates/>

The acceptance of this specification and use of the product described in this document indicates the acceptance and binding of the customer to Globtek TERMS AND CONDITIONS (attached to the end of this document), which supersede all other agreements, terms, and conditions (<https://en.globtek.com/terms-and-conditions/>).

The purchaser of this product (Customer) agrees that it is their sole responsibility to determine suitability/fitness of the product described in this specification for their application and to take precautions for protection against any hazards attendant to the handling and use of the product.

Footnote:

GlobTek Inc. will not be liable for the safety and performance of these power supplies/battery packs if unauthorized access and repair occurs. End user should consult applicable UL, CSA or EN standards for proper installation instruction.

Limitation of Use:

GlobTek products are intended for use with commercial, medical, and/or industrial equipment only. GlobTek product are not authorized for use as mission critical components in life support hazardous environment, nuclear or aircraft applications without prior written approval from the CEO of GlobTek Inc.

Contents of this document are subject to change without prior notice.

Customer Approval of Specification:

Please approve, sign and send back to GlobTek so we can complete order processing.

A delay in receipt of this form will delay delivery schedule.

Company Name: _____	Customer P/N: _____
Quote Number: _____	Date: _____
Authorized Representative Name: _____	Authorized Representative Signature: _____

GlobTek, Inc. www.globtek.com 186 Veterans Drive, Northvale, NJ 07647 Tel. (201) 784-1000 Fax (201) 784-0111	Drawing Title: GT-46181-1812-T2, ICT/ITE Power Supply, Efficiency Level: USA DOE Level VI / Eco-design Directive 2009/125/EC, (EU) 2019/1782, Case Color/Style: GlobTek Black, Desktop/External, Regulated Switchmode AC-DC Power Supply AC Adaptor, Input Rating: 100-240V~, 50-60 Hz, IEC 60320/C8 , Output Rating: 18W, 12.0V@1.5A, Output Configuration: 1200 mm, 20/2 Cond, UL 2468, MOLEX P/N:43645-0300 Micro-Fit 3.0™ Receptacle Housing, 3 Circuits, with 43030 Female crimp terminals *** NO substitute permitted **, Ferrite: Core Size: 12*20*7.3mm, GlobTek Black, GT Cord # C4551, Pin Out: Pin 1: V+ Pin 2: N/C Pin 3: COM/GND, Blades/Input Cord: (Order Separately), Approvals: 230V CoC Tier 2; EAC; CB 62368; UKCA; cULus; Conforms to 62368-1; Morocco; PSE; RCM; CE; China RoHS; Double Insulation; IP40; Level VI; LPS 62368; PSE; RoHS; Ukraine; VCCI; WEEE; cULus; S-Mark 60950; CB 60950;	
	Model No. GT-46181-1812-T2	
	Part No./Ordering No. TR9KE1500MLX-N(R6B)	Rev H

REVISION HISTORY

REV	DESCRIPTION	SUB	DATE	APPROVED
H	Add note about material type 35P for Molex connector overmold	dhock	07/14/2017	QA
G	Change carton size to 520*370*205 mm and Q'TY to 72, gift box size to 125*58*60 (mm)	QA	06/06/2017	QA
F	update cable and connector drawing	dhock	04/24/2017	QA
E	Add "NO substitute permitted" to Molex connector description	bsiep	01/12/2017	QA
D	Add connector overmold detail drawing	dhock	09/08/2016	QA
C	add connector overmold requirement, add ferrite	dhock	08/31/2016	QA
B	Update O/P cord to 1200 mm, 20AWG	QA	07/21/2016	QA
A	Initial Release	dhock	06/10/2016	QA

POWER SUPPLY INFORMATION

TYPE	Desktop/External
TECHNOLOGY	Regulated Switchmode AC-DC Power Supply AC Adaptor
CASE COLOR	GlobTek Black
NAMEPLATE RATED INPUT	100-240V~, 50-60 Hz, 0.5A
INPUT CONFIG	IEC 60320/C8
WATTS	18.00
VOLTS OUT	12.0
CURRENT OUT (Amps)	1.5
BLADE/CORD INCLUDED	None (Order Separately)
BLADE/CORD INSTALLED	None :(Order Separately)
INGRESS PROTECTION	
GROUNDING CONFIGURATION	(F1) Class II / Double Insulated
EFFICIENCY LEVEL	USA DOE Level VI / Eco-design Directive 2009/125/EC, (EU) 2019/1782 - Europe Code of Conduct on Energy Efficiency of External Power Supplies - Version 5
OUTPUT CONFIGURATION	1200 mm, 20/2 Cond, UL 2468, MOLEX P/N:43645-0300 Micro-Fit 3.0™ Receptacle Housing, 3 Circuits, with 43030 Female crimp terminals *** NO substitute permitted **, Ferrite: Core Size: 12*20*7.3mm, GlobTek Black, GT Cord # C4551
CONNECTOR PIN OUT	Pin 1: V+ Pin 2: N/C Pin 3: COM/GND
LABEL SPECS	Standard GT,L-1186
SPECIAL BARCODE LABEL MATERIAL	No
PACK SPEC	Standard DT, Individually Box, GT User Manual
USER MANUAL	809-DESKTOPUSERMANUAL on A4 paper

PROPRIETARY INFORMATION

<p>GlobTek, Inc. www.globtek.com 186 Veterans Drive, Northvale, NJ 07647 Tel. (201) 784-1000 Fax (201) 784-0111</p>	<p>Drawing Title: GT-46181-1812-T2, ICT/ITE Power Supply, Efficiency Level: USA DOE Level VI / Eco-design Directive 2009/125/EC, (EU) 2019/1782, Case Color/Style: GlobTek Black, Desktop/External, Regulated Switchmode AC-DC Power Supply AC Adaptor, Input Rating: 100-240V~, 50-60 Hz, IEC 60320/C8 , Output Rating: 18W, 12.0V@1.5A, Output Configuration: 1200 mm, 20/2 Cond, UL 2468, MOLEX P/N:43645-0300 Micro-Fit 3.0™ Receptacle Housing, 3 Circuits, with 43030 Female crimp terminals *** NO substitute permitted **, Ferrite: Core Size: 12*20*7.3mm, GlobTek Black, GT Cord # C4551, Pin Out: Pin 1: V+ Pin 2: N/C Pin 3: COM/GND, Blades/Input Cord: (Order Separately), Approvals: 230V CoC Tier 2; EAC; CB 62368; UKCA; cULus; Conforms to 62368-1; Morocco; PSE; RCM; CE; China RoHS; Double Insulation; IP40; Level VI; LPS 62368; PSE; RoHS; Ukraine; VCCI; WEEE; cULus; S-Mark 60950; CB 60950;</p>
	<p>Model No. GT-46181-1812-T2</p>
	<p>Part No./Ordering No. TR9KE1500MLX-N(R6B) Rev H</p>

Notes/Modifications/Customizations (notes in this section supersede the values shown in the standard spec)
DIMENSIONS ARE IN MM UNLESS SPECIFIED OTHERWISE

GloBtek, Inc. www.globtek.com 186 Veterans Drive, Northvale, NJ 07647 Tel. (201) 784-1000 Fax (201) 784-0111	Drawing Title: GT-46181-1812-T2, ICT/ITE Power Supply, Efficiency Level: USA DOE Level VI / Eco-design Directive 2009/125/EC, (EU) 2019/1782, Case Color/Style: GlobTek Black, Desktop/External, Regulated Switchmode AC-DC Power Supply AC Adaptor, Input Rating: 100-240V~, 50-60 Hz, IEC 60320/C8 , Output Rating: 18W, 12.0V@1.5A, Output Configuration: 1200 mm, 20/2 Cond, UL 2468, MOLEX P/N:43645-0300 Micro-Fit 3.0™ Receptacle Housing, 3 Circuits, with 43030 Female crimp terminals *** NO substitute permitted **, Ferrite: Core Size: 12*20*7.3mm, GlobTek Black, GT Cord # C4551, Pin Out: Pin 1: V+ Pin 2: N/C Pin 3: COM/GND, Blades/Input Cord: (Order Separately), Approvals: 230V CoC Tier 2; EAC; CB 62368; UKCA; cULus; Conforms to 62368-1; Morocco; PSE; RCM; CE; China RoHS; Double Insulation; IP40; Level VI; LPS 62368; PSE; RoHS; Ukraine; VCCI; WEEE; cULus; S-Mark 60950; CB 60950;	
	Model No. GT-46181-1812-T2	
	Part No./Ordering No. TR9KE1500MLX-N(R6B)	Rev H

ELECTRICAL SPECIFICATIONS

A) ELECTRICAL SPECIFICATIONS:

01. Input Voltage: Specified 90-264 Vac, Nameplate rated: 100-240Vac
02. Input Frequency: Specified 47-63 Hz, Nameplate rated 50-60Hz
03. Output Regulation: +/- 5% measured at the output connector
Output Regulation +/- 2% is optional (RFP3851)
04. Line Voltage Regulation: +/- 1% typical measured at the output connector
05. Output Ripple (Vp-p): +/-1% or 150 mV whichever is greater, measured at 20 MHz bandwidth with 0.1 uf ceramic capacitor in parallel with 10 uf electrolytic capacitor connected at the end of the output connector at nominal line
06. Turn-ON/OFF Overshoot: 5% maximum, 1 mS typical recovery time for 25% to 50% step load
07. Turn-ON Delay: 1 Second, Typical
08. Hold-Up Time: 8 mS typical @ nominal input voltage and full load
09. Inrush Current: 30A Typical at 115VAC input and 60A typical at 230VAC input
10. Switching Frequency: 65 KHz typical

B) PROTECTION

01. Over-Voltage: Electronically Protected Zener clamp across the output
02. Short Circuit: Electronically Protected unit will auto recover upon removal of fault
03. Input Protection: Input line fusing

C) SAFETY

01. Dielectric Withstand Voltage: 4242Vdc from primary to secondary
02. Earth Leakage Current: <3.5 mA at 240Vac input voltage
03. Earth continuity test: <0.1 Ohm or < 0.2 Ohm when with a non-detachable Power Supply cord, Class I Only
04. ROHS 2: Complies with EU 2011/65/EU and China GB/T26572-2011

D) OTHER:

01. MTBF: 200,000 Hours @ 25°C ambient temperature
02. Operating Temperature: 0°C to 40°C ambient temperature
03. Humidity: 0% to 90% relative humidity
04. Storage Temperature: -10°C to 80°C

E) ENCLOSURE

01. Housing: High impact plastic, 94V0 polycarbonate, non-vented
02. Size: 50.0*80.6*31.1 +/-1.0 mm
03. Markings: Label and/or Pad Printed and/or Molded in the case

TO ADDRESS SYSTEM-LEVEL EMI CONCERNS, FERRITE CHOKES/BEADS MAY BE ADDED/REVISED UPON REQUEST. A SAMPLE KIT OF GLOBTEK'S STANDARD FERRITES IS AVAILABLE UNDER GLOBTEK P/N: EMI-MITIGATION-KIT1

FOR ADDITIONAL INFORMATION, PLEASE READ OUR WHITE PAPER AT: <https://r.globtek.info/3QeaqtD>

PROPRIETARY INFORMATION

PROPRIETARY OF GLOBTEK, INC. ANY REPRODUCTION, DISCLOSURE OR USE OF THIS DRAWING, IN WHOLE OR IN PART, IS HEREBY PROHIBITED EXCEPT AS SPECIFIED IN

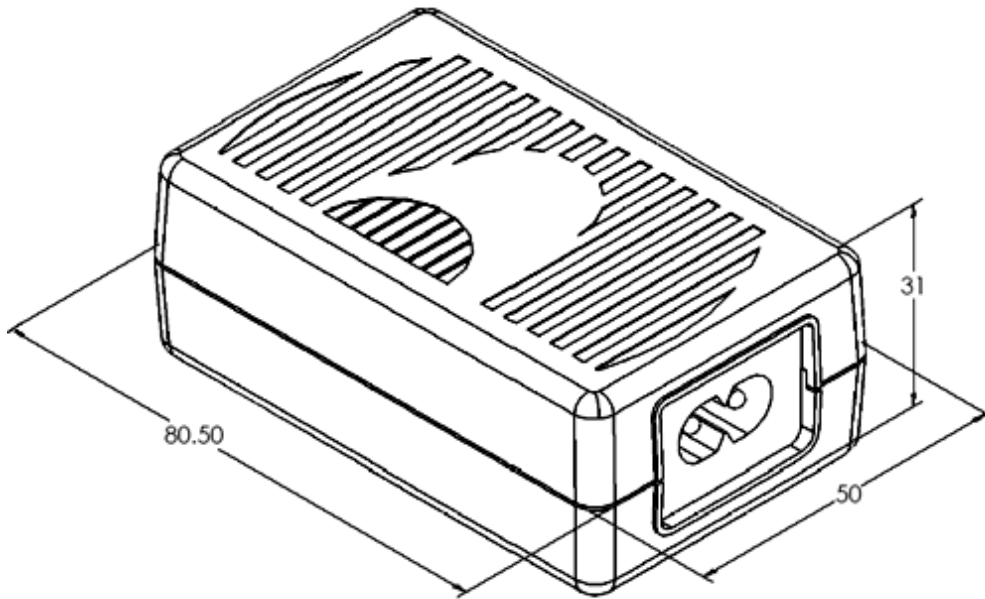
WRITING BY GLOBTEK, INC. © GlobTek, Inc. 2016 - 2023

quest / 07/30/2023 8:11:01 PM GMT CLONED FROM TR9KD2000CCP-N(RVB)

<p>GlobTek, Inc. www.globtek.com 186 Veterans Drive, Northvale, NJ 07647 Tel. (201) 784-1000 Fax (201) 784-0111</p>	<p>Drawing Title: GT-46181-1812-T2, ICT/ITE Power Supply, Efficiency Level: USA DOE Level VI / Eco-design Directive 2009/125/EC, (EU) 2019/1782, Case Color/Style: GlobTek Black, Desktop/External, Regulated Switchmode AC-DC Power Supply AC Adaptor, Input Rating: 100-240V~, 50-60 Hz, IEC 60320/C8 , Output Rating: 18W, 12.0V@1.5A, Output Configuration: 1200 mm, 20/2 Cond, UL 2468, MOLEX P/N:43645-0300 Micro-Fit 3.0™ Receptacle Housing, 3 Circuits, with 43030 Female crimp terminals *** NO substitute permitted **, Ferrite: Core Size: 12*20*7.3mm, GlobTek Black, GT Cord # C4551, Pin Out: Pin 1: V+ Pin 2: N/C Pin 3: COM/GND, Blades/Input Cord: (Order Separately), Approvals: 230V CoC Tier 2; EAC; CB 62368; UKCA; cULus; Conforms to 62368-1; Morocco; PSE; RCM; CE; China RoHS; Double Insulation; IP40; Level VI; LPS 62368; PSE; RoHS; Ukraine; VCCI; WEEE; cULus; S-Mark 60950; CB 60950;</p>	<p>Model No. GT-46181-1812-T2</p> <p>Part No./Ordering No. TR9KE1500MLX-N(R6B) Rev H</p>
----------------------------------------------------------------------------------------------------------------------------------------------	---------------------------------------------------------------------------------------------------------------------------------------------------------------------------------------------------------------------------------------------------------------------------------------------------------------------------------------------------------------------------------------------------------------------------------------------------------------------------------------------------------------------------------------------------------------------------------------------------------------------------------------------------------------------------------------------------------------------------------------------------------------------------------------------------------------------------------------------------------------------------------------------------------------------------	-----------------------------------------------------------------------------------------------------------------------------

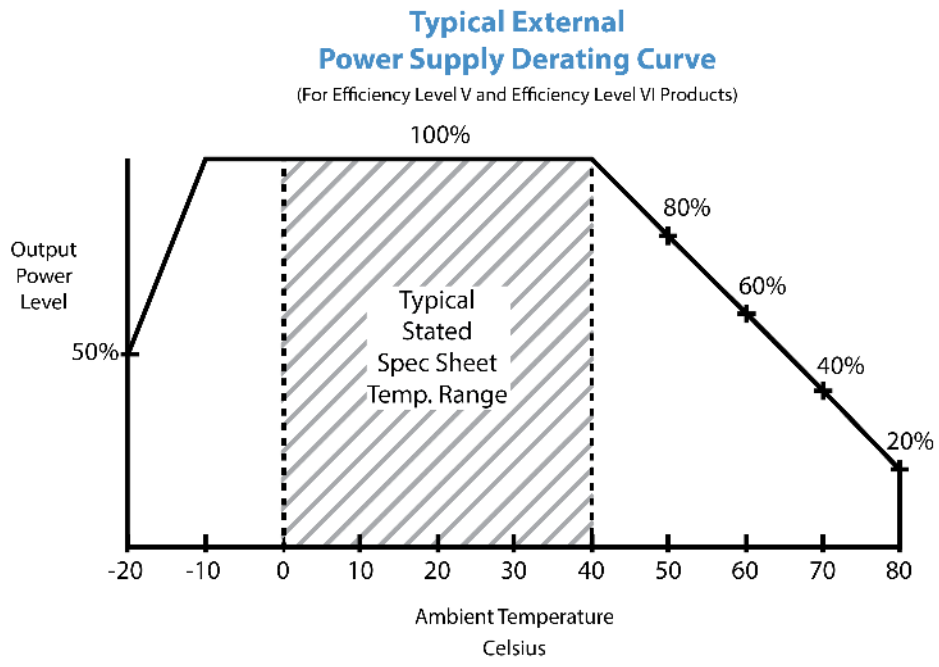
3D File Download <https://www.globtek.com/file/dl/GT-46181-18VV-T2.stp>

Mechanical drawing



<p>GlobTek, Inc. www.globtek.com 186 Veterans Drive, Northvale, NJ 07647 Tel. (201) 784-1000 Fax (201) 784-0111</p>	<p>Drawing Title: GT-46181-1812-T2, ICT/ITE Power Supply, Efficiency Level: USA DOE Level VI / Eco-design Directive 2009/125/EC, (EU) 2019/1782, Case Color/Style: GlobTek Black, Desktop/External, Regulated Switchmode AC-DC Power Supply AC Adaptor, Input Rating: 100-240V~, 50-60 Hz, IEC 60320/C8 , Output Rating: 18W, 12.0V@1.5A, Output Configuration: 1200 mm, 20/2 Cond, UL 2468, MOLEX P/N:43645-0300 Micro-Fit 3.0™ Receptacle Housing, 3 Circuits, with 43030 Female crimp terminals *** NO substitute permitted **, Ferrite: Core Size: 12*20*7.3mm, GlobTek Black, GT Cord # C4551, Pin Out: Pin 1: V+ Pin 2: N/C Pin 3: COM/GND, Blades/Input Cord: (Order Separately), Approvals: 230V CoC Tier 2; EAC; CB 62368; UKCA; cULus; Conforms to 62368-1; Morocco; PSE; RCM; CE; China RoHS; Double Insulation; IP40; Level VI; LPS 62368; PSE; RoHS; Ukraine; VCCI; WEEE; cULus; S-Mark 60950; CB 60950;</p> <p>Model No. GT-46181-1812-T2</p> <p>Part No./Ordering No. TR9KE1500MLX-N(R6B)</p>	<p>Rev H</p>
----------------------------------------------------------------------------------------------------------------------------------------------	--------------------------------------------------------------------------------------------------------------------------------------------------------------------------------------------------------------------------------------------------------------------------------------------------------------------------------------------------------------------------------------------------------------------------------------------------------------------------------------------------------------------------------------------------------------------------------------------------------------------------------------------------------------------------------------------------------------------------------------------------------------------------------------------------------------------------------------------------------------------------------------------------------------------------------------------------------------------------------------------------------------	--------------

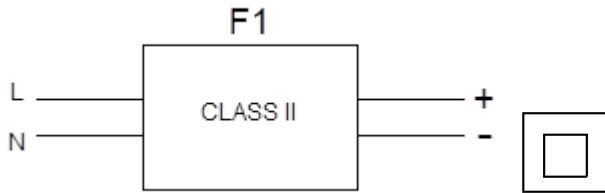
DERATING CURVE



GlobTek, Inc. www.globtek.com 186 Veterans Drive, Northvale, NJ 07647 Tel. (201) 784-1000 Fax (201) 784-0111	Drawing Title: GT-46181-1812-T2, ICT/ITE Power Supply, Efficiency Level: USA DOE Level VI / Eco-design Directive 2009/125/EC, (EU) 2019/1782, Case Color/Style: GlobTek Black, Desktop/External, Regulated Switchmode AC-DC Power Supply AC Adaptor, Input Rating: 100-240V~, 50-60 Hz, IEC 60320/C8 , Output Rating: 18W, 12.0V@1.5A, Output Configuration: 1200 mm, 20/2 Cond, UL 2468, MOLEX P/N:43645-0300 Micro-Fit 3.0™ Receptacle Housing, 3 Circuits, with 43030 Female crimp terminals *** NO substitute permitted **, Ferrite: Core Size: 12*20*7.3mm, GlobTek Black, GT Cord # C4551, Pin Out: Pin 1: V+ Pin 2: N/C Pin 3: COM/GND, Blades/Input Cord: (Order Separately), Approvals: 230V CoC Tier 2; EAC; CB 62368; UKCA; cULus; Conforms to 62368-1; Morocco; PSE; RCM; CE; China RoHS; Double Insulation; IP40; Level VI; LPS 62368; PSE; RoHS; Ukraine; VCCI; WEEE; cULus; S-Mark 60950; CB 60950;	
	Model No. GT-46181-1812-T2	
	Part No./Ordering No. TR9KE1500MLX-N(R6B)	Rev H

INPUT CONFIGURATION

(F1) Class II / Double Insulated

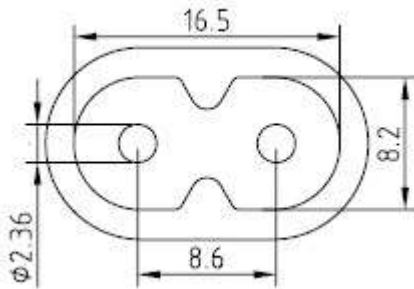


[Alternate grounding configurations](#) available upon request.

Blades/Cord Included:None:(Order Separately)

Blades/Cord Installed:None:(Order Separately)

IEC 60320/C8 AC Inlet connector, Class II, Non-Earth Ground (aka "Figure-8")



Mates with IEC 60320/C7 Plug

Below are standard cordsets which are "not included" (unless stated above); these may be purchased separately or packaged with the power supply. Please contact your Sales Engineer if the style required is not shown below. Many more available in different lengths, colors or cable material.

Standard International IEC 320/C7 Cordsets

Part Number	Type	Standard	Connector	Length (mm)	Length (feet)
2094112M703(R)	Argentina (Type I)	IRAM 2063	IEC 320/C7	2000	7
5014112M703A(R)	Australian (Type I)	AS 3112	IEC 320/C7	2000	7
207B4111M8703(R)	Brazil (Type N)	NBR14136	IEC 320/C7	1800	6
4533501M8703(R)	China (Type A)	GB 2099.1	IEC 320/C7	1830	6
2074112M703A(R)	European (Type C)	CEE 7/16	IEC 320/C7	2000	7
2074112M703AEUSA(R)	European/South Africa Combo(Type C)	CEE 7/16	IEC 320/C7	2000	7
2084111M8703B(R)	India (Type D)	IS 1293	IEC 320/C7	1800	6

PROPRIETARY INFORMATION

PROPRIETARY OF GLOBTEK, INC. ANY REPRODUCTION, DISCLOSURE OR USE OF THIS DRAWING, IN WHOLE OR IN PART, IS HEREBY PROHIBITED EXCEPT AS SPECIFIED IN

WRITING BY GLOBTEK, INC. © GlobTek, Inc. 2016 - 2023

quest / 07/30/2023 8:11:01 PM GMT CLONED FROM TR9KD2000CCP-N(RVB)

GloTek, Inc. www.globtek.com 186 Veterans Drive, Northvale, NJ 07647 Tel. (201) 784-1000 Fax (201) 784-0111	Drawing Title: GT-46181-1812-T2, ICT/ITE Power Supply, Efficiency Level: USA DOE Level VI / Eco-design Directive 2009/125/EC, (EU) 2019/1782, Case Color/Style: GlobTek Black, Desktop/External, Regulated Switchmode AC-DC Power Supply AC Adaptor, Input Rating: 100-240V~, 50-60 Hz, IEC 60320/C8 , Output Rating: 18W, 12.0V@1.5A, Output Configuration: 1200 mm, 20/2 Cond, UL 2468, MOLEX P/N:43645-0300 Micro-Fit 3.0™ Receptacle Housing, 3 Circuits, with 43030 Female crimp terminals *** NO substitute permitted **, Ferrite: Core Size: 12*20*7.3mm, GlobTek Black, GT Cord # C4551, Pin Out: Pin 1: V+ Pin 2: N/C Pin 3: COM/GND, Blades/Input Cord: (Order Separately), Approvals: 230V CoC Tier 2; EAC; CB 62368; UKCA; cULus; Conforms to 62368-1; Morocco; PSE; RCM; CE; China RoHS; Double Insulation; IP40; Level VI; LPS 62368; PSE; RoHS; Ukraine; VCCI; WEEE; cULus; S-Mark 60950; CB 60950;	
	Model No. GT-46181-1812-T2	
	Part No./Ordering No. TR9KE1500MLX-N(R6B)	Rev H

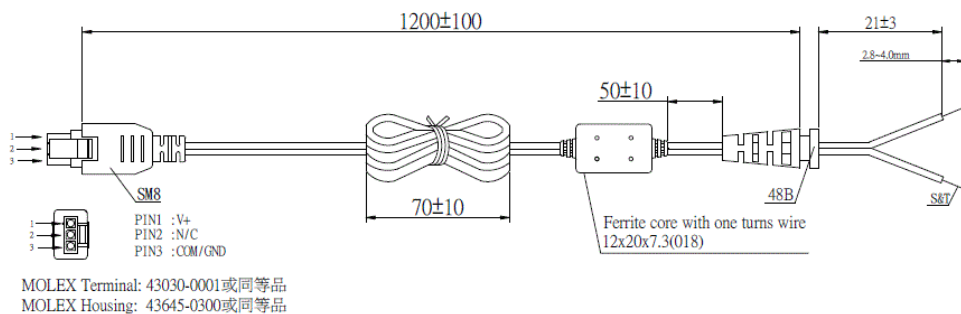
451J3401M8703(R)	Japan (Type A)	JIS 8303	IEC 320/C7	1830	6
2044112M703A(R)	Korea (Type C)	KS C8305	IEC 320/C7	2000	7
4511116F703A(R)	North America (Type A)	NEMA 1-15P	IEC 320/C7	1830	6
2084111M8703(R)	South Africa (Type M)	BS 546	IEC320/C7	1830	6
4033401M8703A(R)	Taiwan (Type A)	CNS690	IEC 320/C7	1830	6
6104112M703A(R)	UK, Hong Kong, Singapore, Gulf States (Type G)	BS1363	IEC 320/C7	2000	7
451G1116F703A(R)	Gulf States (Kuwait, Bahrain, Oman, Qatar, Saudi Arabia, Yemen and the United Arab Emirates (UAE))(Type A)	Nema 1-15P	IEC320/C7	1830	6
6303742M5703(R)	Thailand (Type C)	TIS 166-2549	IEC320/C7	2500	8

GloTek, Inc. www.globtek.com 186 Veterans Drive, Northvale, NJ 07647 Tel. (201) 784-1000 Fax (201) 784-0111	Drawing Title: GT-46181-1812-T2, ICT/ITE Power Supply, Efficiency Level: USA DOE Level VI / Eco-design Directive 2009/125/EC, (EU) 2019/1782, Case Color/Style: GlobTek Black, Desktop/External, Regulated Switchmode AC-DC Power Supply AC Adaptor, Input Rating: 100-240V~, 50-60 Hz, IEC 60320/C8 , Output Rating: 18W, 12.0V@1.5A, Output Configuration: 1200 mm, 20/2 Cond, UL 2468, MOLEX P/N:43645-0300 Micro-Fit 3.0™ Receptacle Housing, 3 Circuits, with 43030 Female crimp terminals *** NO substitute permitted **, Ferrite: Core Size: 12*20*7.3mm, GlobTek Black, GT Cord # C4551, Pin Out: Pin 1: V+ Pin 2: N/C Pin 3: COM/GND, Blades/Input Cord: (Order Separately), Approvals: 230V CoC Tier 2; EAC; CB 62368; UKCA; cULus; Conforms to 62368-1; Morocco; PSE; RCM; CE; China RoHS; Double Insulation; IP40; Level VI; LPS 62368; PSE; RoHS; Ukraine; VCCI; WEEE; cULus; S-Mark 60950; CB 60950;	
	Model No. GT-46181-1812-T2	
	Part No./Ordering No. TR9KE1500MLX-N(R6B)	Rev H

OUTPUT CORD AND CONNECTOR: MOL43/C4551

ACTUAL CONNECTORS, OVERMOLDS, FERRITES MAY VARY SLIGHTLY FROM THE PICTURE BELOW

CABLE TYPE	UL 2468
CABLE LENGTH (mm)	1200
CABLE TOLERANCE (mm)	±100
WIRE GAUGE (AWG)	20
CONDUCTORS	2
HANK DIMENSION (mm)	70 +/-10
CABLE / CONNECTOR OVERMOLD COLOR	GlobTek Black
FERRITE TYPE AND DIMENSION	Core Size: 12*20*7.3mm
FERRITE NUMBER OF TURNS (Definition)	2 Pass thru core (1 turns)
FERRITE DIMENSION FROM STRAIN RELIEF	50 +/-10
FERRITE DIMENSION FROM PLUG	N/A
PLUG TYPE	MOLEX P/N:43645-0300 Micro-Fit 3.0™ Receptacle Housing, 3 Circuits, with 43030 Female crimp terminals *** NO substitute permitted **
OVER MOLD ORIENTATION	Straight
CONNECTOR PIN OUT	Pin 1: V+ Pin 2: N/C Pin 3: COM/GND
ADDITIONAL REQUIREMENTS	Molex connector and overmold may not be changed! For molex plug overmold material type 35P is required!



ADDITIONAL OUTPUT PLUG OPTIONS ARE AVAILABLE AT <https://www.globtek.com/connectors/>
STANDARD PLUGS AND CONNECTORS CAN BE SEEN ONLINE AT <https://www.globtek.com/connectors/>
CALCULATE VOLTAGE REGULATION/DROP WITH OUR ONLINE CALCULATOR: <https://en.globtek.com/output-cable-regulation-calculator/>

<p>GlobTek, Inc. www.globtek.com 186 Veterans Drive, Northvale, NJ 07647 Tel. (201) 784-1000 Fax (201) 784-0111</p>	<p>Drawing Title: GT-46181-1812-T2, ICT/ITE Power Supply, Efficiency Level: USA DOE Level VI / Eco-design Directive 2009/125/EC, (EU) 2019/1782, Case Color/Style: GlobTek Black, Desktop/External, Regulated Switchmode AC-DC Power Supply AC Adaptor, Input Rating: 100-240V~, 50-60 Hz, IEC 60320/C8 , Output Rating: 18W, 12.0V@1.5A, Output Configuration: 1200 mm, 20/2 Cond, UL 2468, MOLEX P/N:43645-0300 Micro-Fit 3.0™ Receptacle Housing, 3 Circuits, with 43030 Female crimp terminals *** NO substitute permitted **, Ferrite: Core Size: 12*20*7.3mm, GlobTek Black, GT Cord # C4551, Pin Out: Pin 1: V+ Pin 2: N/C Pin 3: COM/GND, Blades/Input Cord: (Order Separately), Approvals: 230V CoC Tier 2; EAC; CB 62368; UKCA; cULus; Conforms to 62368-1; Morocco; PSE; RCM; CE; China RoHS; Double Insulation; IP40; Level VI; LPS 62368; PSE; RoHS; Ukraine; VCCI; WEEE; cULus; S-Mark 60950; CB 60950;</p>
	<p>Model No. GT-46181-1812-T2</p>
	<p>Part No./Ordering No. TR9KE1500MLX-N(R6B) Rev H</p>

OUTPUT CONNECTOR HOOK UP

TO ADDRESS SYSTEM-LEVEL EMI CONCERNS, FERRITE CHOKES/BEADS MAY BE ADDED/REVISED UPON REQUEST. A SAMPLE KIT OF GLOBTEK'S STANDARD FERRITES IS AVAILABLE UNDER GLOBTEK P/N: EMI-MITIGATION-KIT1

FOR ADDITIONAL INFORMATION, PLEASE READ OUR WHITE PAPER AT:

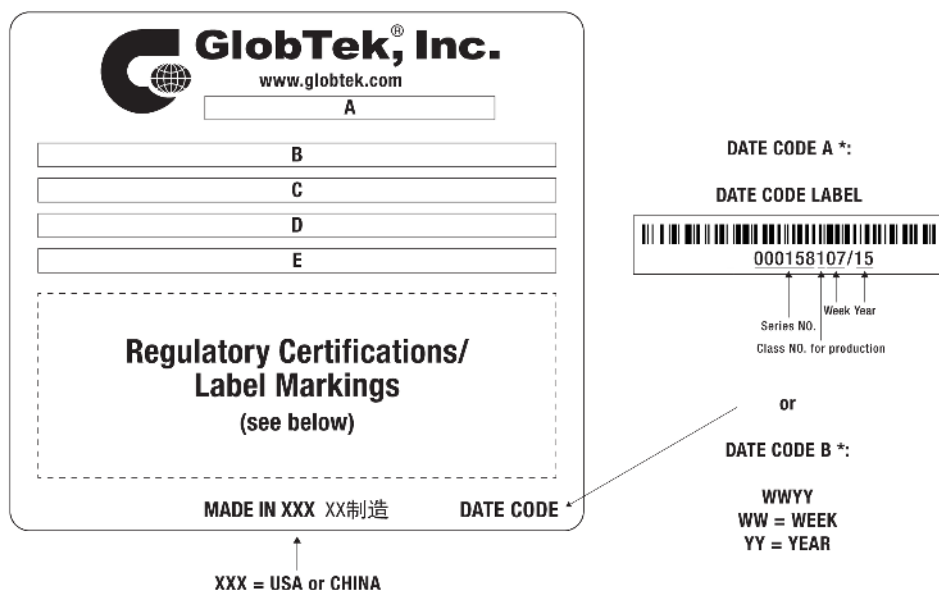
<https://en.globtek.com/technical-articles/ferrite-kit-radiated-emi-suppression-kit-for-globtek-power-supplies-cable-assemblies>

GloTek, Inc. www.globtek.com 186 Veterans Drive, Northvale, NJ 07647 Tel. (201) 784-1000 Fax (201) 784-0111	Drawing Title: GT-46181-1812-T2, ICT/ITE Power Supply, Efficiency Level: USA DOE Level VI / Eco-design Directive 2009/125/EC, (EU) 2019/1782, Case Color/Style: GlobTek Black, Desktop/External, Regulated Switchmode AC-DC Power Supply AC Adaptor, Input Rating: 100-240V~, 50-60 Hz, IEC 60320/C8 , Output Rating: 18W, 12.0V@1.5A, Output Configuration: 1200 mm, 20/2 Cond, UL 2468, MOLEX P/N:43645-0300 Micro-Fit 3.0™ Receptacle Housing, 3 Circuits, with 43030 Female crimp terminals *** NO substitute permitted **, Ferrite: Core Size: 12*20*7.3mm, GlobTek Black, GT Cord # C4551, Pin Out: Pin 1: V+ Pin 2: N/C Pin 3: COM/GND, Blades/Input Cord: (Order Separately), Approvals: 230V CoC Tier 2; EAC; CB 62368; UKCA; cULus; Conforms to 62368-1; Morocco; PSE; RCM; CE; China RoHS; Double Insulation; IP40; Level VI; LPS 62368; PSE; RoHS; Ukraine; VCCI; WEEE; cULus; S-Mark 60950; CB 60950;	
	Model No. GT-46181-1812-T2	
	Part No./Ordering No. TR9KE1500MLX-N(R6B)	Rev H

LABEL:L-1186

LABEL P/N	Standard GT
MATERIAL	Flat Thermal Transfer, Imprintable, Polyester Label and/or Pad Printed and/or Molded, and/or Laser Engraved in the case
BACKGROUND COLOR	Black if housing is Black, White or Silver if housing is White or Gray.
TEXT COLOR	White or Silver if label is Black Background for Black housing. Black if label is White or Silver background and Housing is White or Gray.
LABEL WIDTH (mm)	39.6
LABEL HEIGHT (mm)	59.6
SPECIAL BARCODE LABEL MATERIAL	No

Below is the minimum information which will appear on the label. NOTE: in the logo area additional/actual positioning of symbols and text is subjected to change as per agency updates/requirements or additional model approvals become available. Regulatory certifications/label markings may be in logo area on the label or molded into the case housing outside the label area. Information will be shown via label and/or pad printed and/or molded and/or laser engraved in the case. * Date code markings at GlobTek option



A=ICT/ITE Power Supply
B=P/N: (料号) TR9KE1500MLX-N(R6B)
C=Model (型号) GT-46181-1812-T2
D=Input (输入)100-240V~, 50-60 Hz, 0.5A
E=Output (输出)12.0 V 1.5 A, 18.00W

GlobTek, Inc. www.globtek.com 186 Veterans Drive, Northvale, NJ 07647 Tel. (201) 784-1000 Fax (201) 784-0111	Drawing Title: GT-46181-1812-T2, ICT/ITE Power Supply, Efficiency Level: USA DOE Level VI / Eco-design Directive 2009/125/EC, (EU) 2019/1782, Case Color/Style: GlobTek Black, Desktop/External, Regulated Switchmode AC-DC Power Supply AC Adaptor, Input Rating: 100-240V~, 50-60 Hz, IEC 60320/C8 , Output Rating: 18W, 12.0V@1.5A, Output Configuration: 1200 mm, 20/2 Cond, UL 2468, MOLEX P/N:43645-0300 Micro-Fit 3.0™ Receptacle Housing, 3 Circuits, with 43030 Female crimp terminals *** NO substitute permitted **, Ferrite: Core Size: 12*20*7.3mm, GlobTek Black, GT Cord # C4551, Pin Out: Pin 1: V+ Pin 2: N/C Pin 3: COM/GND, Blades/Input Cord: (Order Separately), Approvals: 230V CoC Tier 2; EAC; CB 62368; UKCA; cULus; Conforms to 62368-1; Morocco; PSE; RCM; CE; China RoHS; Double Insulation; IP40; Level VI; LPS 62368; PSE; RoHS; Ukraine; VCCI; WEEE; cULus; S-Mark 60950; CB 60950;	
	Model No. GT-46181-1812-T2	
	Part No./Ordering No. TR9KE1500MLX-N(R6B)	Rev H

AGENCY ONLINE DOCUMENTS	http://www.globtek.info/certs/GT-46181-18VV-TZ/
CE EC-Declaration for Medical	Contact GlobTek for more information
CE EC-Declaration for Industrial/Commercial/ITE	http://globtek.force.com/models/ec_declaration_product?id=01ta0000006OYJ6&i=2
CE EC-Declaration for Household	Contact GlobTek for more information
UKCA-Declaration for Medical	Contact GlobTek for more information
UKCA-Declaration for Industrial/Commercial/ITE	http://globtek.force.com/models/ukca_declaration_product?id=01ta0000006OYJ6&i=2
UKCA-Declaration for Household	Contact GlobTek for more information
Morocco SDoC Declaration	https://globtek.secure.force.com/models/Morocco_SDoC_Declaration?id=a0Oa000000Nrw1EEAR
RoHS/RoHS3 Declaration	https://www.globtek.com/pdf/rohs_cert/01ta0000006OYJ6AAO
REACH Declaration	https://www.globtek.com/pdf/iso_certificates/REACH.pdf
Conflict Minerals Declaration	https://www.globtek.com/pdf/conflict-minerals.pdf
Prop 65 Statement	https://en.globtek.com/prop-65-statement.pdf
IPXY rating is based on 3rd party testing and customers should check suitability and test system level IPXY rating before ordering.	

Regulatory Certifications/Label Markings

Below follows a link to the latest regulatory certifications and marks for this specific product. National standards as well as certification schemes are constantly changing and so is the set of certification marks and symbols applicable to this product. Various standards, marks and symbols, and certificates are subject to change at any time without notice.

Additional standards or unique country certifications are available upon request. Please contact Globtek to request a quotation.

LATEST PRODUCT/MODEL CERTIFICATIONS:	https://www.globtek.com/datasheet/w71134
AGENCY ONLINE DOCUMENTS	http://www.globtek.info/certs/GT-46181-18VV-TZ/



(F1) Class II / Double Insulated

Pin 1: V+
Pin 2: N/C
Pin 3: COM/GND

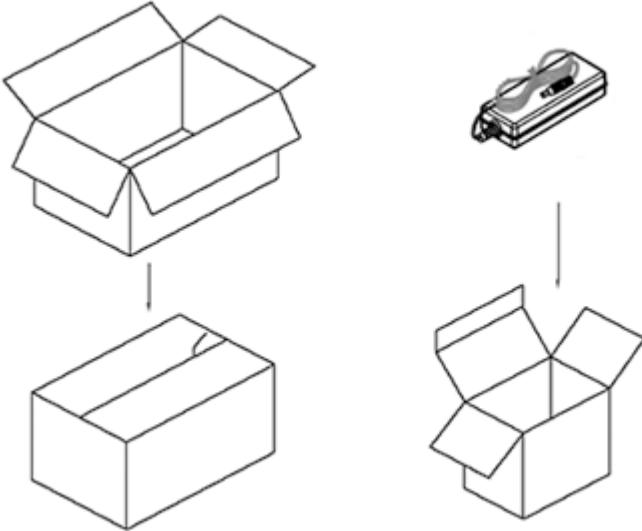
GloTek, Inc. www.globtek.com 186 Veterans Drive, Northvale, NJ 07647 Tel. (201) 784-1000 Fax (201) 784-0111	Drawing Title: GT-46181-1812-T2, ICT/ITE Power Supply, Efficiency Level: USA DOE Level VI / Eco-design Directive 2009/125/EC, (EU) 2019/1782, Case Color/Style: GlobTek Black, Desktop/External, Regulated Switchmode AC-DC Power Supply AC Adaptor, Input Rating: 100-240V~, 50-60 Hz, IEC 60320/C8 , Output Rating: 18W, 12.0V@1.5A, Output Configuration: 1200 mm, 20/2 Cond, UL 2468, MOLEX P/N:43645-0300 Micro-Fit 3.0™ Receptacle Housing, 3 Circuits, with 43030 Female crimp terminals *** NO substitute permitted **, Ferrite: Core Size: 12*20*7.3mm, GlobTek Black, GT Cord # C4551, Pin Out: Pin 1: V+ Pin 2: N/C Pin 3: COM/GND, Blades/Input Cord: (Order Separately), Approvals: 230V CoC Tier 2; EAC; CB 62368; UKCA; cULus; Conforms to 62368-1; Morocco; PSE; RCM; CE; China RoHS; Double Insulation; IP40; Level VI; LPS 62368; PSE; RoHS; Ukraine; VCCI; WEEE; cULus; S-Mark 60950; CB 60950;	
	Model No. GT-46181-1812-T2	
	Part No./Ordering No. TR9KE1500MLX-N(R6B)	Rev H

PACKAGING

Packing Spec P/N	Standard DT, Individually Box, GT User Manual
Box Qty	72
Gift Box Size (mm)	125*58*60
Gift Box Color	White
Master Carton Size (mm)	520 x 370 x 205
Master Carton Cubic Volume (m³)	0.04
Master GW (Kg)	15.6 kg
BLADES INCLUDED	None: (Order Separately)
BLADE/CORD INSTALLED	None: (Order Separately)
USER MANUAL*	809-DESKTOPUSERMANUAL on A4 paper
USER MANUAL WEB LINK	https://en.globtek.com/pdf/809-DESKTOPUSERMANUAL.jpg

* This specification sheet is considered the user manual for all applications. It is expected that the buyer of this product will use it to formulate their own user manual for their end product and a user manual specifically for the power adapter is not usually required. If a user manual is not specifically listed above then none will be provided with this unit.

If specific packaging is required, this section must specify all requirements and note "no exceptions". If this section does not specify packaging, it is subject to change without notice at GlobTek's discretion



PROPRIETARY INFORMATION

<p>GlobTek, Inc. www.globtek.com 186 Veterans Drive, Northvale, NJ 07647 Tel. (201) 784-1000 Fax (201) 784-0111</p>	<p>Drawing Title: GT-46181-1812-T2, ICT/ITE Power Supply, Efficiency Level: USA DOE Level VI / Eco-design Directive 2009/125/EC, (EU) 2019/1782, Case Color/Style: GlobTek Black, Desktop/External, Regulated Switchmode AC-DC Power Supply AC Adaptor, Input Rating: 100-240V~, 50-60 Hz, IEC 60320/C8 , Output Rating: 18W, 12.0V@1.5A, Output Configuration: 1200 mm, 20/2 Cond, UL 2468, MOLEX P/N:43645-0300 Micro-Fit 3.0™ Receptacle Housing, 3 Circuits, with 43030 Female crimp terminals *** NO substitute permitted **, Ferrite: Core Size: 12*20*7.3mm, GlobTek Black, GT Cord # C4551, Pin Out: Pin 1: V+ Pin 2: N/C Pin 3: COM/GND, Blades/Input Cord: (Order Separately), Approvals: 230V CoC Tier 2; EAC; CB 62368; UKCA; cULus; Conforms to 62368-1; Morocco; PSE; RCM; CE; China RoHS; Double Insulation; IP40; Level VI; LPS 62368; PSE; RoHS; Ukraine; VCCI; WEEE; cULus; S-Mark 60950; CB 60950;</p>
	<p>Model No. GT-46181-1812-T2</p>
	<p>Part No./Ordering No. TR9KE1500MLX-N(R6B) Rev H</p>

INSTRUCTIONS TO THE OEM SYSTEMS ENGINEER

It is the responsibility of the OEM systems engineer to provide the end system user instructions and warnings for the use of this product in the end system.

If an input cord is required for this product, AC Mains voltage should be provided to the power supply by a power supply cord approved to the national standards of the country in which it will be used.

This product is not designed to be repaired. No serviceable parts inside. A blown internal fuse is an indication of catastrophic failure of circuit component(s). If a Failure Analysis is required for a failed power supply/battery charger, please return the damaged unit to GlobTek for an accurate determination of the root cause of the failure.

EMC Compliance of the complete OEM product, including the GlobTek power supply/battery charger needs to be verified by the OEM systems engineer.

INSTRUCTION SHEET

N/A

<p>GlobTek, Inc. www.globtek.com 186 Veterans Drive, Northvale, NJ 07647 Tel. (201) 784-1000 Fax (201) 784-0111</p>	<p>Drawing Title: GT-46181-1812-T2, ICT/ITE Power Supply, Efficiency Level: USA DOE Level VI / Eco-design Directive 2009/125/EC, (EU) 2019/1782, Case Color/Style: GlobTek Black, Desktop/External, Regulated Switchmode AC-DC Power Supply AC Adaptor, Input Rating: 100-240V~, 50-60 Hz, IEC 60320/C8 , Output Rating: 18W, 12.0V@1.5A, Output Configuration: 1200 mm, 20/2 Cond, UL 2468, MOLEX P/N:43645-0300 Micro-Fit 3.0™ Receptacle Housing, 3 Circuits, with 43030 Female crimp terminals *** NO substitute permitted **, Ferrite: Core Size: 12*20*7.3mm, GlobTek Black, GT Cord # C4551, Pin Out: Pin 1: V+ Pin 2: N/C Pin 3: COM/GND, Blades/Input Cord: (Order Separately), Approvals: 230V CoC Tier 2; EAC; CB 62368; UKCA; cULus; Conforms to 62368-1; Morocco; PSE; RCM; CE; China RoHS; Double Insulation; IP40; Level VI; LPS 62368; PSE; RoHS; Ukraine; VCCI; WEEE; cULus; S-Mark 60950; CB 60950;</p>
	<p>Model No. GT-46181-1812-T2</p>
	<p>Part No./Ordering No. TR9KE1500MLX-N(R6B) Rev H</p>

