

MATERIALS AND FINISHES

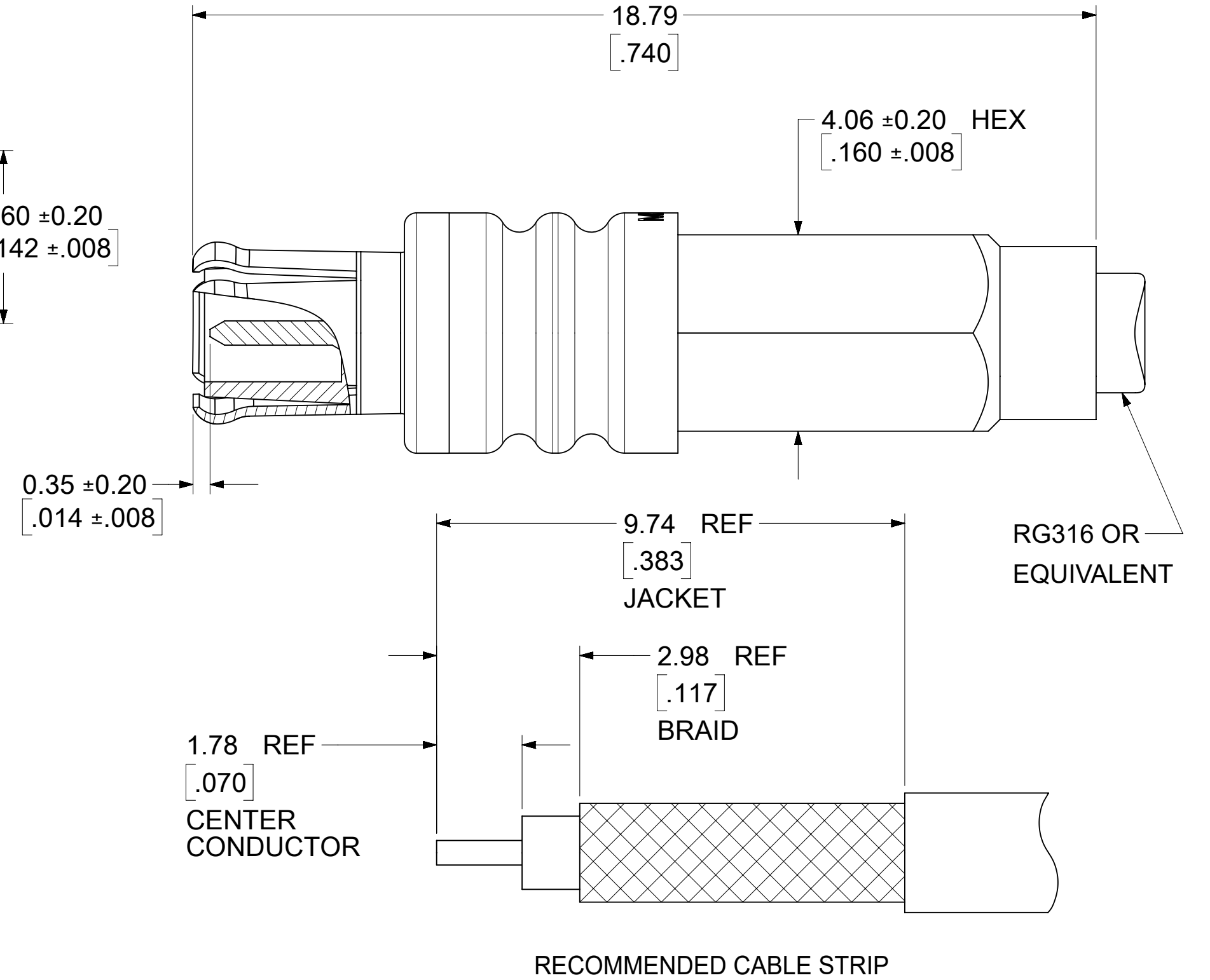
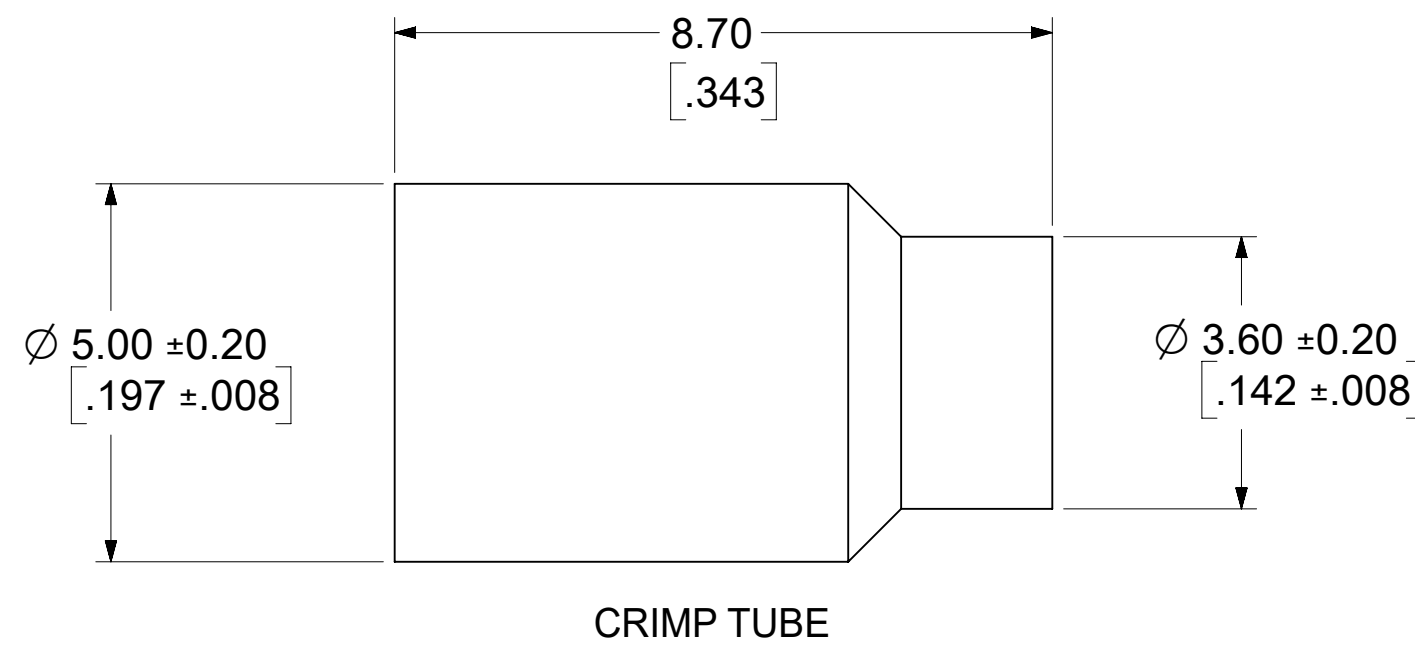
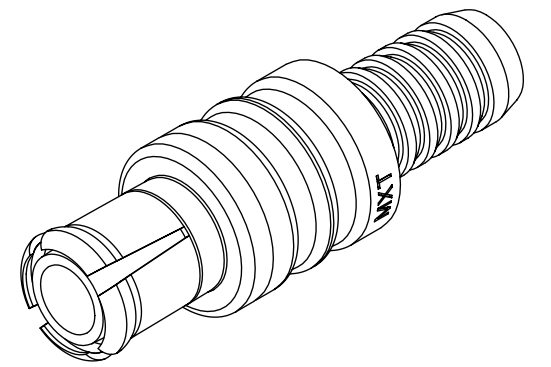
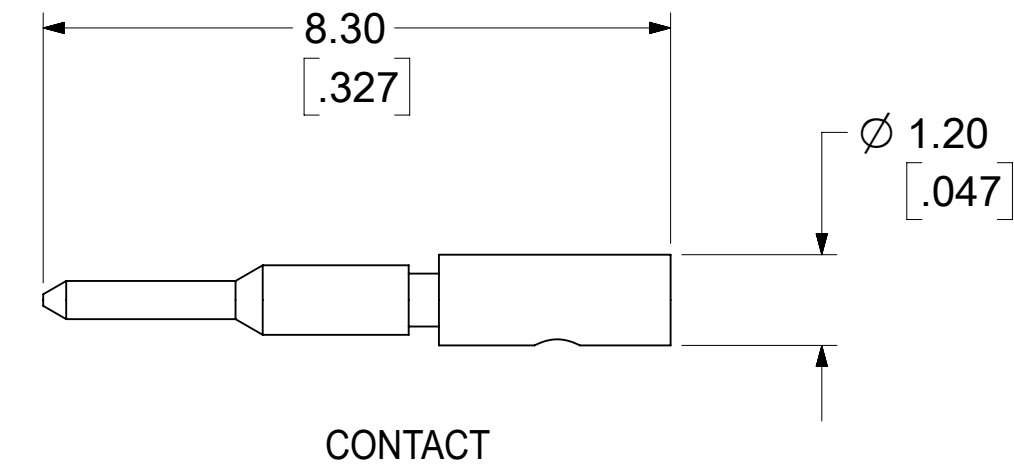
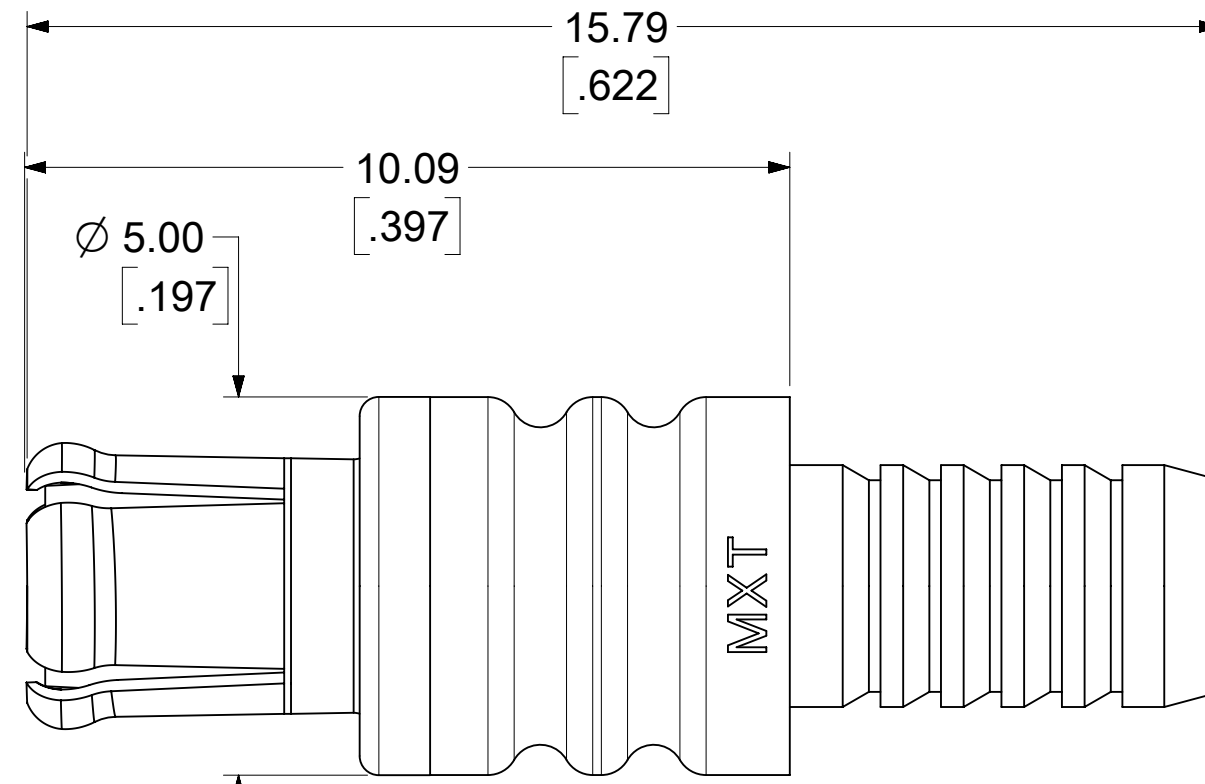
BODY: ZINC ALLOY  
PLATED SEE TABLE

CENTER CONTACT: BRASS  
PLATED GOLD

INSULATOR: TEFLON

OUTER CONTACT: BERYLLIUM COPPER  
PLATED SEE TABLE

FERRULE: BRASS  
PLATED SEE TABLE



73366-0028	NICKEL	GOLD	NICKEL	BULK
73366-0027	GOLD	GOLD	GOLD	BULK
73366-0026	GOLD	GOLD	GOLD	ONE PIECE 73366-0021 PER BAG
73366-0025	NICKEL	NICKEL	NICKEL	BULK
73366-0024	GOLD	GOLD	GOLD	73366-0021, SMALL TRAY
73366-0023	NICKEL	GOLD	NICKEL	73366-0020, SMALL TRAY
73366-0022	NICKEL	GOLD	NICKEL	ONE PIECE 73366-0020 PER BAG
73366-0021	GOLD	GOLD	GOLD	BULK
73366-0020	NICKEL	GOLD	NICKEL	BULK
PART NO.	FINISH BODY	FINISH OC	FINISH FERRULE	PACKAGING

PS-89675-1830	PRODUCT SPECIFICATION
SPECIFICATION	DESCRIPTION

FUNCTIONAL SYMBOLS	THIS DRAWING CONTAINS INFORMATION THAT IS PROPRIETARY TO MOLEX ELECTRONIC TECHNOLOGIES, LLC AND SHOULD NOT BE USED WITHOUT WRITTEN PERMISSION		CURRENT REV DESC:		<b>molex</b>		
	DIMENSION UNITS	SCALE	EWR-14644-A UPDATE TOLERANCE OF CRIMP DIMENSION				
$\frac{E}{A} = 0$	MM/INCH	NTS	EC NO: 668812		MCX PLUG STRAIGHT RG-316 50 OHM MCX-PC EWR-1468		
$\frac{E}{C} = 0$	GENERAL TOLERANCES (UNLESS SPECIFIED)		DRWN: JSU18 2021/07/01				
$\frac{E}{D} = 0$	ANGULAR TOL ± 2.0°		CHK'D: YCHENG 2021/07/01				
DIVISIONAL SYMBOLS	4 PLACES	±	APPR: YCHENG 2021/07/01		PRODUCT CUSTOMER DRAWING		
	3 PLACES	±	INITIAL REVISION:				
	2 PLACES	±	DRWN: TFLAHERTY 2007/02/08				
1 PLACE	±	APPR: MISEN 2001/08/31		DOCUMENT NUMBER	DOC TYPE	DOC PART	REVISION
0 PLACES	±	DRAFT WHERE APPLICABLE MUST REMAIN WITHIN DIMENSIONS		SD-73366-002	PSD	001	E8
THIRD ANGLE PROJECTION		DRAWING	SERIES	MATERIAL NUMBER	CUSTOMER	SHEET NUMBER	
		C-SIZE	73366	GENERAL MARKET	1 OF 1		