

THIS DRAWING IS UNPUBLISHED. RELEASED FOR PUBLICATION 20
 © COPYRIGHT 20 BY TYCO ELECTRONICS CORPORATION. ALL RIGHTS RESERVED.

LOC		DIST		REVISIONS			
P	LTR	DESCRIPTION	DATE	DWN	APVD		
	BI	REVISED PER ECR-10-003745	26FEB2010	HMR	PD		

1.65 [.065] 12.67 [.499]

22.86 [.900]

5.08 [.200]

2.59 [.102]

21.87 [.861]

10.16 [.400]

38.28 [1.507]

48.44 [1.907]

8.26 [.325]

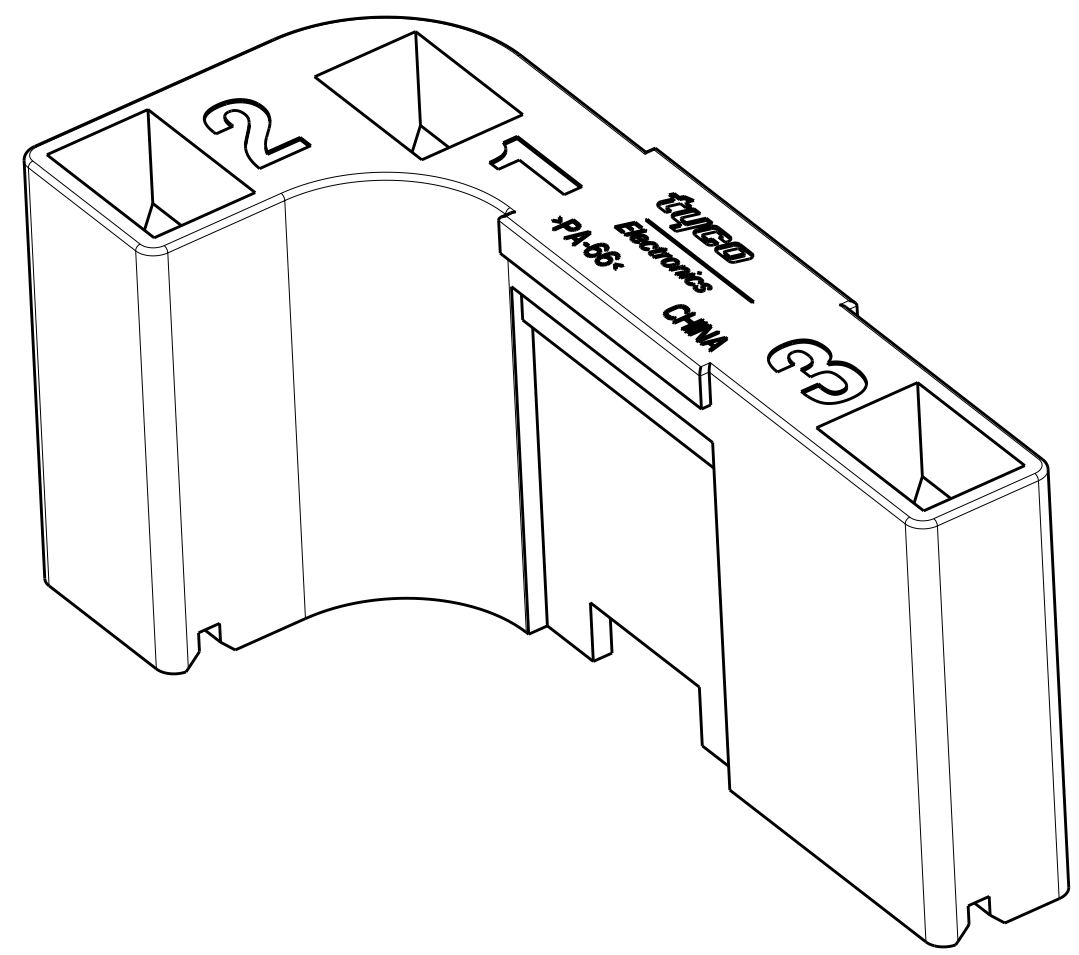
1. RECOMMENDED MATING TAB LENGTH IS 10.03 [.395] MIN.
 2. RECOMMENDED CENTERLINE SPACING OF TABS TO BE ± 0.127 [.005].
- ⚠ MATERIAL: NYLON 66, UL94 V-2, ELECTRICAL RTI 125 °C MIN.

14.35 [.565]

3.18 [.125]

8.53 [.336]

7.52 [.296]



NATURAL	1738472-1
COLOR	PART NUMBER

THIS DRAWING IS A CONTROLLED DOCUMENT FOR TYCO ELECTRONICS CORPORATION. IT IS SUBJECT TO CHANGE AND THE CONTROLLING ENGINEERING ORGANIZATION SHOULD BE CONTACTED FOR THE LATEST REVISION.		DWN M. LAUERMANN 10OCT2003	Tyco Electronics Harrisburg, PA 17105-3608	
DIMENSIONS: mm [INCHES]		CHK M. LAUERMANN 17NOV2003	NAME HOUSING, RECEPTACLE FASTON 6.35 [.250] SERIES INFINITE SWITCH A	
TOLERANCES UNLESS OTHERWISE SPECIFIED: 0 PLC ±- 1 PLC ±- 2 PLC ±0.38 [.015] 3 PLC ±- 4 PLC ±- ANGLES ±2° FINISH		APVD M. LAUERMANN 01DEC2004	SIZE A2 CAGE CODE 00779 DRAWING NO. 1738472 RESTRICTED TO -	
MATERIAL 3		PRODUCT SPEC -	SCALE 3:1 SHEET 1 OF 1 REV BI	
		APPLICATION SPEC -	CUSTOMER DRAWING	
		WEIGHT -		