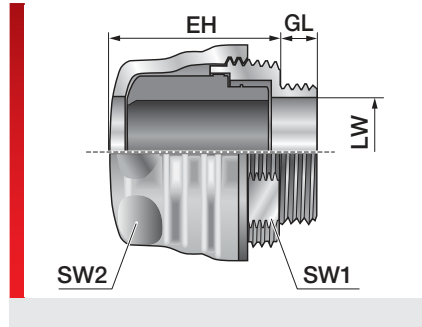
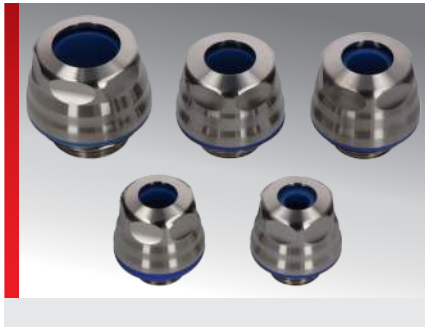


Type WKM-FDA (metal versions)



Cable fitting

PRODUCT INFORMATION

The WKM/FDA cable gland is suitable for use in all areas where the accumulation of microorganisms and dirt must be avoided, for example in the pharmaceutical, food and chemical industries, as well as in biotechnology and cleanroom technology. The WKM/FDA cable gland has the following

- advantages:
- Hygienic Design
 - FDA compliant
 - EHEDG
 - High temperature resistance

SPECIFICATIONS

- Fitting: Stainless steel 1.4301
Moulded seal: Steel
- 40 – 100 °C short term 120 °C
- IP 66
IP 68 up to 10 bar
IP 69K
-

Type	Order No.	Connecting thread	Clamping range (LW) mm	EH mm	GL mm	SW 1 / 2 mm	MOQ qty.
WKM/FDA M12x1,5	84241000	M12x1,5	5.00 – 6.50	19.00	6.00	14.00 / 14.00	10
WKM/FDA M16x1,5s	84241004	M16x1,5	6.00 – 7.50	20.00	6.00	19.00 / 21.00	5
WKM/FDA M16x1,5	84241006	M16x1,5	7.50 – 10.00	20.00	6.00	19.00 / 21.00	5
WKM/FDA M20x1,5s	84241010	M20x1,5	9.00 – 12.00	22.50	6.00	24.00 / 27.00	5
WKM/FDA M20x1,5	84241012	M20x1,5	11.00 – 13.50	22.50	6.00	24.00 / 27.00	5
WKM/FDA M25x1,5s	84241016	M25x1,5	14.00 – 16.00	23.50	7.00	30.00 / 30.00	5
WKM/FDA M25x1,5	84241018	M25x1,5	15.00 – 18.00	23.50	7.00	30.00 / 30.00	5
WKM/FDA M32x1,5s	84241022	M32x1,5	18.00 – 21.00	26.50	8.00	36.00 / 36.00	5
WKM/FDA M32x1,5	84241024	M32x1,5	21.00 – 25.00	26.50	8.00	36.00 / 36.00	5

MATERIAL PROPERTIES

Fitting: Stainless steel 1.4301
Moulded seal: Steel

THERMAL PROPERTIES

Temperature / temperature range
-40 – 100 °C short term 120 °C

MECHANICAL PROPERTIES

Protection class
IP 66
IP 68 up to 10 bar
IP 69K

Type WKM-FDA (metal versions)

APPROVALS AND OPERATING PERMITS



FDA approval

All details given in our sales brochures and catalogues, as well as the information available online, are based on our current knowledge of the products described.

The electronic data and files made available by Murrplastik, particularly CAD files are based on our current knowledge of the product described.

A legally binding assurance of certain properties or the suitability for a certain purpose can not be determined from this information.

All information with respect to the chemical and physical properties of Murrplastik products, as well as application advice given verbally, in writing or by tests, is given to the best of our knowledge.

They do not release the buyer from the obligation to carry out his own tests and trials in order to determine the concrete suitability of the products for the intended purpose.

Murrplastik accepts no responsibility for the available information being up-to-date, correct or complete. Neither do we accept responsibility for the quality of this information.

Murrplastik accepts no liability for damage caused as a result of using our products.

Murrplastik reserves the right to make technical changes and improvements through constant further development of products and services.

Our General Terms and Conditions apply.