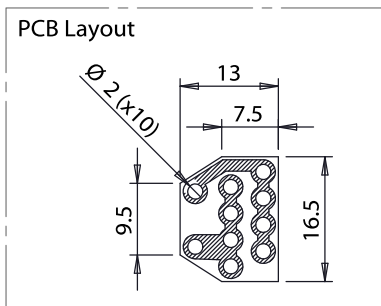
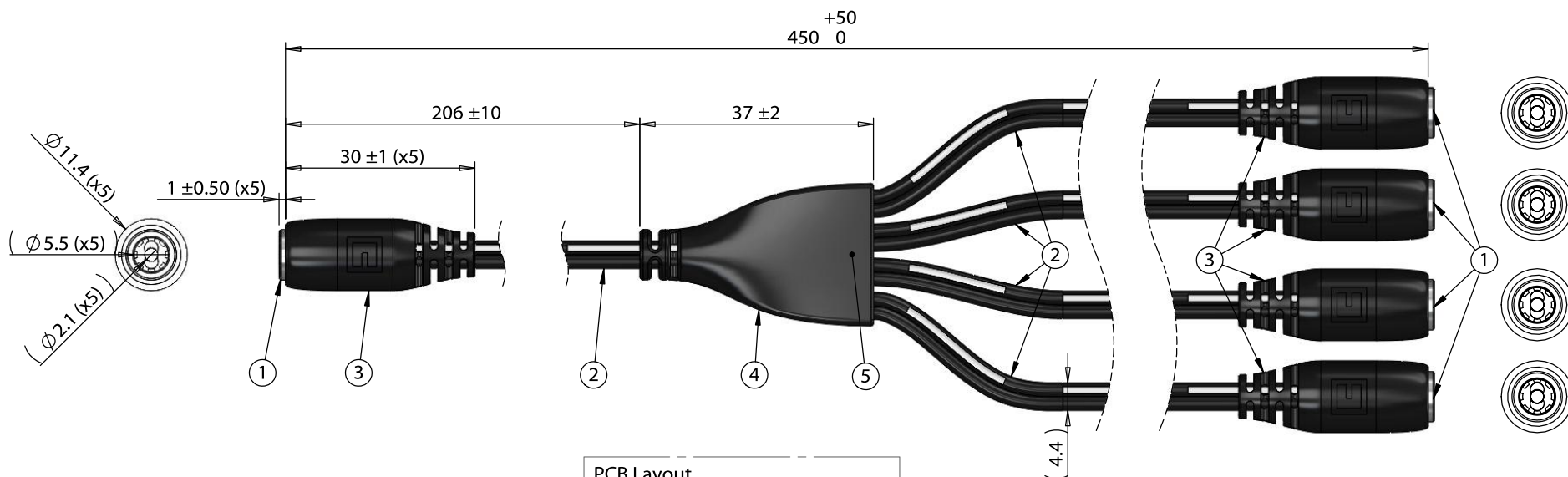


ITEM NO.	PART NUMBER	DESCRIPTION	QTY.	COMPONENT NOTES
1	50-00025	Connector, dc jack, 5.5x2.1xL17.4 mm, molding style	5	
2	30-00007	Wire, 2C BC, 18 AWG, UL2468, 300V, 80C, 4.4 mm, VW-1, PVC, 87A	5	
3	24-00004	Overmold, PVC	5	black
4	24-00219	Overmold, splitter, Ø 8.0 mm by 10.0x22.6 mm	1	black
5	PCB	Splitter PCB, FR4, two-layer, tin, 13.0x16.5x1.6 mm	1	



Wiring Diagram		
50-00025	wire color	50-00025
center	black with stripe	center
sleeve	black	sleeve

Notes:
Functionally equivalent components may be substituted

Revision:	Date:	Description:	Prepared:	Notes:	<h1>TENSILITY</h1>
A	4/11/2018	Initial release	JP		
			Verified:	RoHS compliant	tel 1.541.323.3228 800 877.670.7118
			AG	Function test: no open, no short circuit, no intermittent	fax 1.541.323.4202 web tensility.com
			Dimensions are in millimeters.	Description:	Size: Part number:
			Tolerances:	Cable, 450 mm, 5.5x2.1 mm 50-00025 dc jack to y-split to 4x 5.5x2.1 mm dc jack, 18 AWG, UL2468	A 10-02748
			X: ± 0.5 mm		Scale: 1:1
			X.X: ± 0.3 mm		Sheet 1 of 1
			X.XX: ± 0.05 mm		