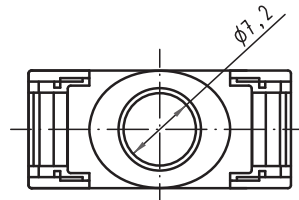
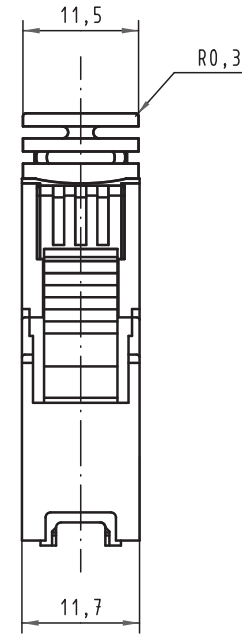
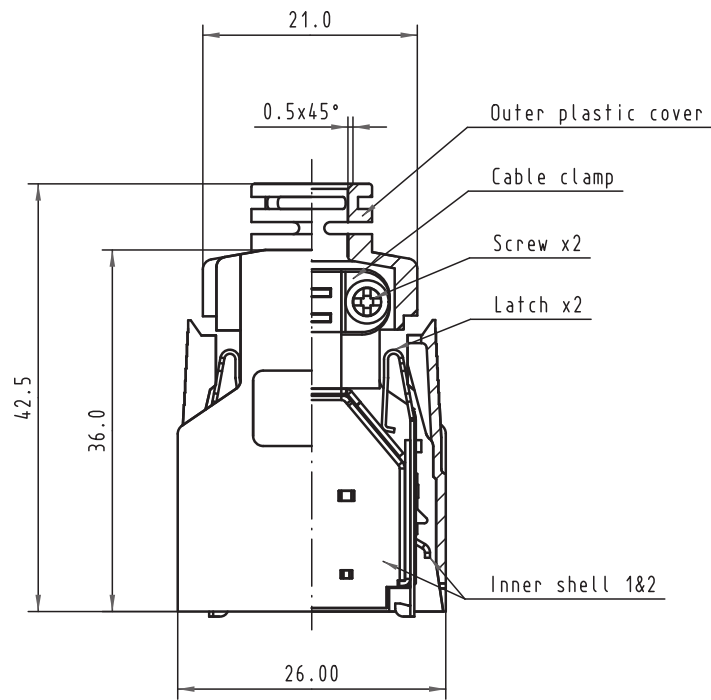



All rights reserved



This hood is according to IEC 61076-3-100.

60 13 014 0153 580	Packaging per 500pcs	+85°C
60 13 014 0153 351	Packaging per 50pcs	+85°C
Part number	index designation	T*material

 All Dimensions in mm Original Size DIN A 3		Techn. Character.			Free size tolerances	
			Dat.	Name	Scale	har.nik® 14 poles plastic hood with metal insert for IDC male bellow connector
			Detail.	11-Jul-08	KL	
			Insp.			
			Stand.			
31771	21-Nov-08	J.S	Zhuhai HARTING Limited			TB 60 13 014 0153 351 Sub.
31787	11-Jul-08	KL				
Mod.	Dat.	Name				Page 1/1