

# Type LPX-04 In-Line Fuse Holder Maxi Auto Blade Fuses Waterproof



www.optifuse.com

(619) 593-5050

## Ratings:

**Fuse Type:** Maxi Auto Blade – APX

**Electrical Rating:** 20A-60A 32VDC

**IP Rating:** IP66

**Body:** PVC

**Contacts:** Tin plated Brass

**Standard Wire Gauges:** #6 AWG

**Standard Wire Colors:** Red

**Standard Body colors:** Black

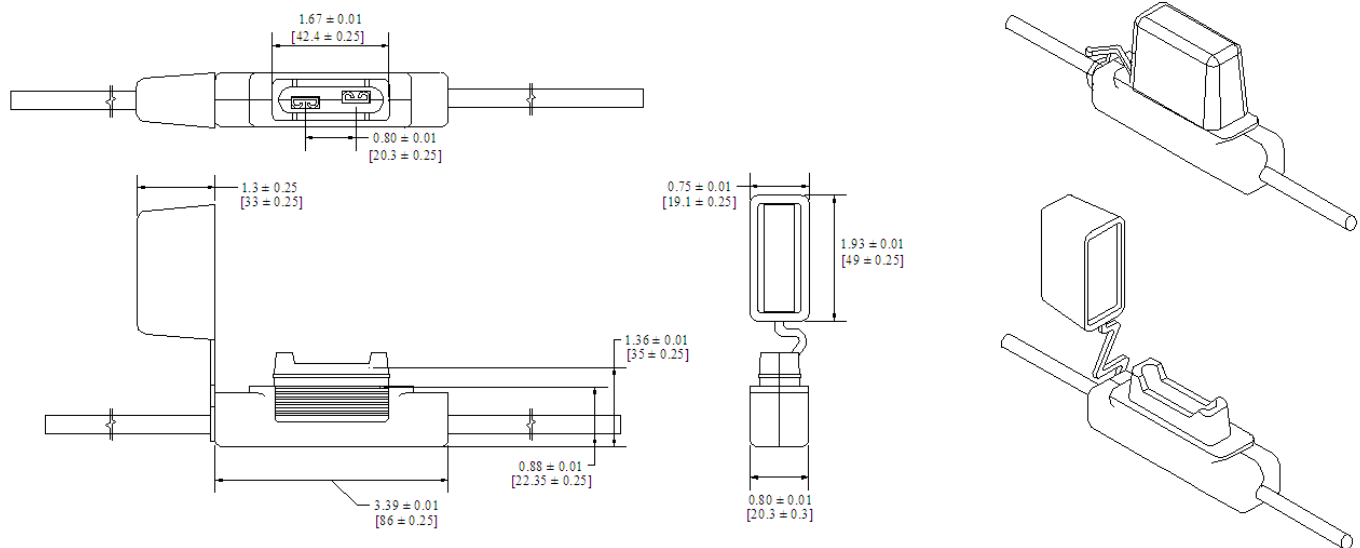
**Standard Wire Length:** 5 inches

## Part number format

**LPX-04B-##R**

where ## = Wire gauge (6 AWG)

## Mechanical Dimensions: Inches [mm]



## Warning:



- Operation beyond the specified maximum ratings or improper use may result in damage and possible electrical arcing and/or flame.
- Avoid contact of device with chemical solvent. Prolonged contact may damage the device performance.
- Not designed for prolonged liquid exposure or submersible applications.