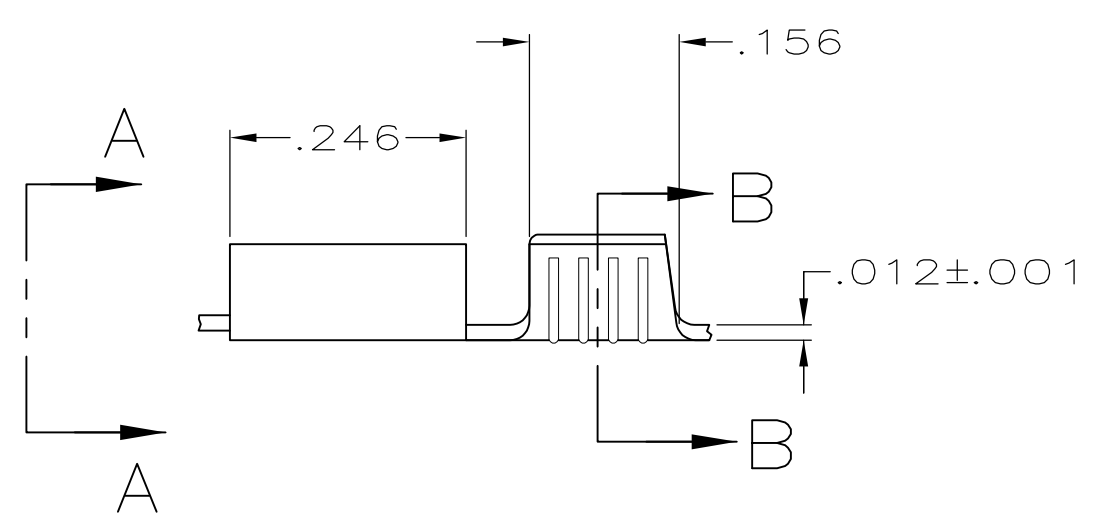
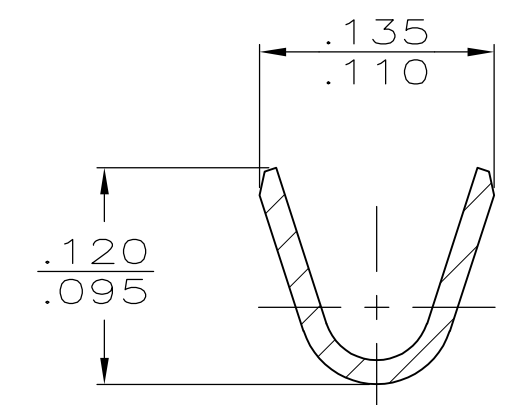
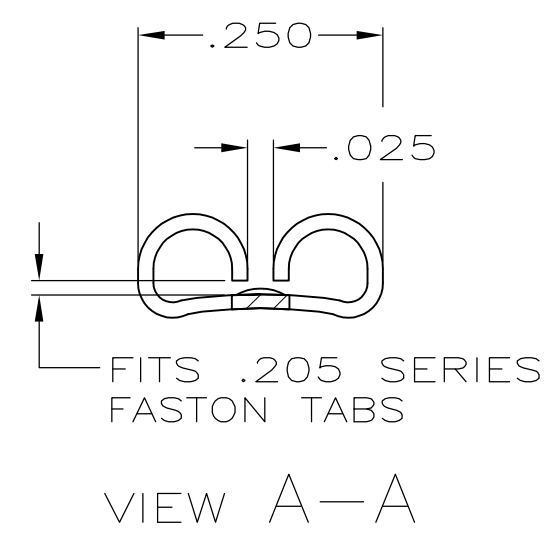
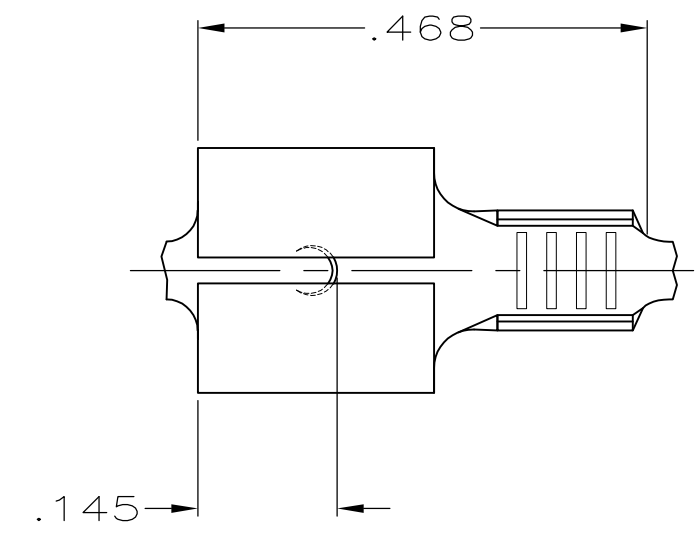


THIS DRAWING IS UNPUBLISHED. RELEASED FOR PUBLICATION
 © COPYRIGHT - By - ALL RIGHTS RESERVED.

LOC	DIST	REVISIONS			
P	LTR	DESCRIPTION	DATE	DWN	APVD
AF	50	R	REVISED PER ECR-12-013445	08NOV12	KH PD

- 1 CONTINUOUS STRIP ON REELS.
- 2 FEED TO BE $.530 \pm .005$
- 3 MATING TAB THK IS $.020 \pm .001$
- 4 WIRE SIZE IS #22-#18 AWG.
- 5 REVERSE REELING W/ PAPER INTERLEAVING
- 6 PRELIMINARY - NOT FOR PRODUCTION



OBSOLETE	TIN .000080 MIN	5 6 42197-3
	TIN	42197-2
	FINISH	42197-1
		PART NUMBER

THIS DRAWING IS A CONTROLLED DOCUMENT.		DWN	JR RUTH	6/14/91	STE TE Connectivity																
DIMENSIONS: INCHES		CHK	MS FEHER	6/14/91				RECEPTACLE, FASTON, .205 SERIES													
TOLERANCES UNLESS OTHERWISE SPECIFIED:		APVD	C MEYERS	6/14/91	NAME																
<table border="0"> <tr><td>0 PLC</td><td>± -</td></tr> <tr><td>1 PLC</td><td>± -</td></tr> <tr><td>2 PLC</td><td>± -</td></tr> <tr><td>3 PLC</td><td>± .015</td></tr> <tr><td>4 PLC</td><td>± -</td></tr> <tr><td>ANGLES</td><td>± -</td></tr> </table>		0 PLC	± -	1 PLC	± -	2 PLC	± -	3 PLC	± .015	4 PLC	± -	ANGLES	± -	PRODUCT SPEC		APPLICATION SPEC		SIZE	CAGE CODE	DRAWING NO	RESTRICTED TO
0 PLC	± -																				
1 PLC	± -																				
2 PLC	± -																				
3 PLC	± .015																				
4 PLC	± -																				
ANGLES	± -																				
MATERIAL: BRASS		FINISH: SEE TABLE		WEIGHT: -		A3 00779		C-42197	-												
CUSTOMER DRAWING				SCALE	5:1	SHEET	1 OF 1	REV	R												