

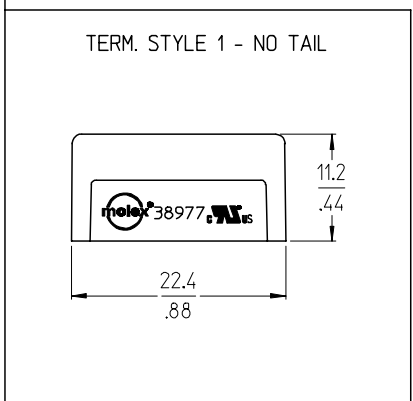
- NOTES:
- MATERIAL:
    - SCREW: SEE LEGEND.
    - INSULATOR: PBT, UL94V-0
    - TERMINAL: BRASS, TIN PLATED
  - WIRE SIZE: 22-12 AWG.
  - RATING: 300V, 15A
  - MAX. TORQUE: 7 IN-LB.
  - OPERATING TEMPERATURE: -40°C TO +120°C
  - NUMBER OF CIRCUIT POSITIONS AVAILABLE = SEE LEGEND.
  - ASSEMBLY IS ROHS COMPLIANT.

### MATERIAL NUMBER LEGEND

389 XX X XX

INSULATOR STYLE ——— # OF CIRCUITS  
 77 - WITH MOUNTING ENDS 02-30 - WITH MOUNTING ENDS

TERMINAL STYLE ——— SCREW STYLE  
 1 - SCREW TERMINAL, NO TAIL 0 - M3.5 WITH SQUARE WASHER, STEEL, NICKEL PLATED



PRELIMINARY EC NO: ETC2007-0349 DRWN: CLYORK 2007/03/22 CHKD: JMACNEIL 2007/04/02 APPR: JMACNEIL 2007/04/03	QUALITY SYMBOLS ▽=0 ▽=0	GENERAL TOLERANCES (UNLESS SPECIFIED)		DIMENSION STYLE	SCALE	DESIGN UNITS	THIRD ANGLE PROJECTION
		mm	INCH	MM/IN	2:1	METRIC	
REV 2	DESCRIPTION	4 PLACES	± ---	± ---	DRAWN BY	DATE	TITLE 9.53MM [.375] DOUBLE ROW BARRIER TERMINAL STRIP, WITH STL SCRWS AND MTG.
		3 PLACES	± ---	± .005	C. YORK	2007/02/16	
		2 PLACES	± 0.13	± .01	CHECKED BY	DATE	MATERIAL NO. SD-38977-001
		1 PLACE	± 0.3	± ---	J. MACNEIL	2007/02/16	
		ANGULAR ± 2 °		APPROVED BY	DATE	SHEET NO. 1 OF 2	
		DRAFT WHERE APPLICABLE MUST REMAIN WITHIN DIMENSIONS		SEE LEGEND		MOLEX INCORPORATED	
		THIS DRAWING CONTAINS INFORMATION THAT IS PROPRIETARY TO MOLEX INCORPORATED AND SHOULD NOT BE USED WITHOUT WRITTEN PERMISSION					

QUANTITY OF CIRCUITS	DIM. "A"		DIM. "B"		DIM. "C"	
	mm	in	mm	in	mm	in
02	36.5	1.44	9.53	.375	28.58	1.125
03	46.0	1.81	19.05	.750	38.10	1.500
04	55.5	2.19	28.58	1.125	47.63	1.875
05	65.1	2.56	38.10	1.500	57.15	2.250
06	74.6	2.94	47.63	1.875	66.68	2.625
07	84.1	3.31	57.15	2.250	76.20	3.000
08	93.6	3.69	66.68	2.625	85.73	3.375
09	103.2	4.06	76.20	3.000	95.25	3.750
10	112.7	4.44	85.73	3.375	104.78	4.125
11	122.2	4.81	95.25	3.750	114.30	4.500
12	131.7	5.19	104.78	4.125	123.83	4.875
13	141.3	5.56	114.30	4.500	133.35	5.250
14	150.8	5.94	123.83	4.875	142.88	5.625
15	160.3	6.31	133.35	5.250	152.40	6.000
16	169.8	6.69	142.88	5.625	161.93	6.375
17	179.4	7.06	152.40	6.000	171.45	6.750
18	188.9	7.44	161.93	6.375	180.98	7.125
19	198.4	7.81	171.45	6.750	190.50	7.500
20	207.9	8.19	180.98	7.125	200.03	7.875
21	217.5	8.56	190.50	7.500	209.55	8.250
22	227.0	8.94	200.03	7.875	219.08	8.625
23	236.5	9.31	209.55	8.250	228.60	9.000
24	246.0	9.69	219.08	8.625	238.13	9.375
25	255.6	10.06	228.60	9.000	247.65	9.750
26	265.1	10.44	238.13	9.375	257.18	10.125
27	274.6	10.81	247.65	9.750	266.70	10.500
28	284.1	11.19	257.18	10.125	276.23	10.875
29	293.7	11.56	266.70	10.500	285.75	11.250
30	303.2	11.94	276.23	10.875	295.28	11.625

SEE SHEET 1 EC NO: ETC2007-0349 DRWN: C. YORK 2007/03/22 CHKD: J. MACNEIL 2007/04/02 APPR: J. MACNEIL 2007/04/03	DESCRIPTION REV 2	QUALITY SYMBOLS ▽=0 ▽=0	GENERAL TOLERANCES (UNLESS SPECIFIED) mm INCH 4 PLACES ± --- ± --- 3 PLACES ± --- ± .005 2 PLACES ± 0.13 ± .01 1 PLACE ± 0.3 ± --- ANGULAR ± 2 °	DIMENSION STYLE MM/IN DRAWN BY C. YORK DATE 2007/02/16 CHECKED BY J. MACNEIL DATE 2007/02/16 APPROVED BY J. MACNEIL DATE 2007/02/16	SCALE 2:1 DESIGN UNITS METRIC THIRD ANGLE PROJECTION	TITLE 9.53MM [.375] DOUBLE ROW BARRIER TERMINAL STRIP, WITH STL SCRWS AND MTG.
		DRAFT WHERE APPLICABLE MUST REMAIN WITHIN DIMENSIONS	MATERIAL NO. SEE LEGEND	DOCUMENT NO. SD-38977-001	SHEET NO. 2 OF 2	
		SIZE B	THIS DRAWING CONTAINS INFORMATION THAT IS PROPRIETARY TO MOLEX INCORPORATED AND SHOULD NOT BE USED WITHOUT WRITTEN PERMISSION			
		MOLEX INCORPORATED				