

1 mm × 1.9 mm WLCSP, High Common-Mode, Bidirectional, Zero Drift, Current Sense Amplifier

FEATURES

- ▶ Typical 0.1 $\mu\text{V}/^\circ\text{C}$ offset drift
- ▶ Maximum $\pm 400 \mu\text{V}$ voltage offset over full temperature range
- ▶ 2.7 V to 5.5 V power supply operating range
- ▶ Electromagnetic interference (EMI) filters included
- ▶ High common-mode input voltage range
 - ▶ -2 V to +42 V continuous
- ▶ Initial gain = 60 V/V
- ▶ Wide operating temperature range: -40°C to $+125^\circ\text{C}$
- ▶ Bidirectional operation
- ▶ Dual channel in a small 1 mm × 1.9 mm WLCSP
- ▶ Common-mode rejection ratio (CMRR): 86 dB, dc to 10 kHz

APPLICATIONS

- ▶ High-side current sensing in:
 - ▶ Motor controls
 - ▶ Solenoid controls
 - ▶ Power management
- ▶ Low-side current sensing
- ▶ Diagnostic protection

TYPICAL APPLICATION CIRCUIT

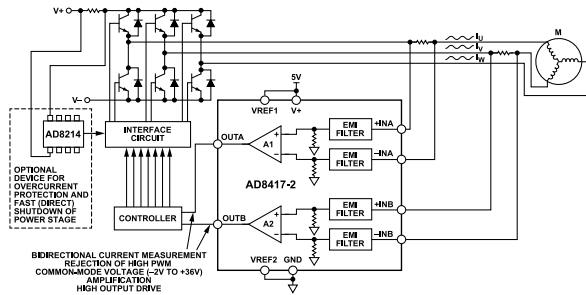


Figure 1. 3-Phase Motor Control

FUNCTIONAL BLOCK DIAGRAM

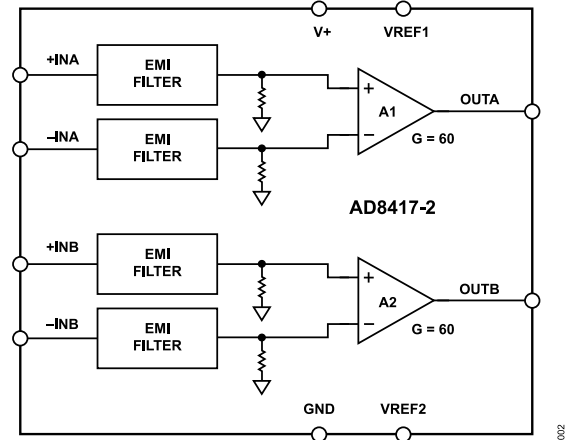


Figure 2. Functional Block Diagram

GENERAL DESCRIPTION

The AD8417-2 is a high voltage, high resolution, and dual channel current sense amplifier. It features an initial gain of 60 V/V, with a maximum $\pm 0.3\%$ gain error over the entire temperature range. The AD8417-2 performs bidirectional current measurements across a shunt resistor in a variety of applications, including motor control, power management, and solenoid control.

The AD8417-2 offers breakthrough performance throughout the -40°C to $+125^\circ\text{C}$ temperature range. It features a zero drift core, which leads to a typical offset drift of $0.1 \mu\text{V}/^\circ\text{C}$ throughout the operating temperature range and the common-mode voltage range. The device includes EMI filters and patented circuitry to enable output accuracy with pulse-width modulation (PWM) type input common-mode voltages. The typical input offset voltage is $\pm 200 \mu\text{V}$.

The AD8417-2 is offered in a small 10-ball 1 mm × 1.9 mm WLCSP. It requires a smaller board area than a typical single-channel current sense amplifier, increasing channel density, without compromising performance.

Table 1. Related Devices

Part No.	Description
AD8205	Current sense amplifier, gain = 50
AD8206	Current sense amplifier, gain = 20
AD8207	High accuracy current-sense amplifier, gain = 20
AD8210	High speed current sense amplifier, gain = 20
AD8417	High accuracy current sense amplifier, gain = 60
AD8418A	High accuracy current sense amplifier, gain = 20

TABLE OF CONTENTS

Features.....	1	Output Offset Adjustment.....	11
Applications.....	1	Unidirectional Operation.....	11
Typical Application Circuit.....	1	Bidirectional Operation.....	11
Functional Block Diagram.....	1	External Referenced Output.....	11
General Description.....	1	Splitting the Supply.....	12
Specifications.....	3	Splitting an External Reference.....	12
Absolute Maximum Ratings.....	4	Applications Information.....	13
Electrostatic Discharge (ESD) Ratings.....	4	Motor Control.....	13
ESD Caution.....	4	Solenoid Control.....	14
Pin Configuration and Function Descriptions.....	5	Outline Dimensions.....	15
Typical Performance Characteristics.....	6	Ordering Guide.....	15
Theory of Operation.....	10		

REVISION HISTORY**6/2023—Rev. 0 to Rev. A**

Changes to Data Sheet Title.....	1
Change to Features Section.....	1
Change to Figure 1.....	1
Changes to General Description Section and Table 1.....	1
Change to Input Voltage Range Parameter, Table 2.....	3
Changes to Table 3.....	4
Changes to Typical Performance Characteristics Section.....	6
Changes to Ordering Guide.....	15

9/2022—Revision 0: Initial Version

SPECIFICATIONS

$T_A = -40^{\circ}\text{C}$ to $+125^{\circ}\text{C}$ (operating temperature range), $V_S = 5\text{ V}$, unless otherwise noted.

Table 2. Electrical Characteristics

Parameter	Test Conditions/Comments	Min	Typ	Max	Unit
GAIN					
Initial			60		V/V
Error Over Temperature	Specified temperature range			± 0.3	%
Gain vs. Temperature		-10		+10	ppm/ $^{\circ}\text{C}$
VOLTAGE OFFSET					
Offset Voltage, Referred to the Input (RTI)	25°C		± 200		μV
Over Temperature, RTI	Specified temperature range			± 400	μV
Offset Drift		-0.4	+0.1	+0.4	$\mu\text{V}/^{\circ}\text{C}$
INPUT					
Input Bias Current			160		μA
Input Voltage Range	Common mode, continuous	-2		+42	V
Common-Mode Rejection Ratio (CMRR)	Specified temperature range, $f = \text{dc}$ $f = \text{dc}$ to 10 kHz	90	100		dB
			86		dB
OUTPUT					
Output Voltage Range	$R_L = 25\text{ k}\Omega$	0.045		$V_S - 0.035$	V
Output Resistance			2		Ω
DYNAMIC RESPONSE					
Small Signal -3 dB Bandwidth			250		kHz
Slew Rate			1		V/ μs
NOISE					
0.1 Hz to 10 Hz, RTI			2.3		$\mu\text{V p-p}$
Spectral Density, 1 kHz, RTI			110		nV/ $\sqrt{\text{Hz}}$
OFFSET ADJUSTMENT					
Ratiometric Accuracy ¹	Divider to supplies	0.499		0.501	V/V
Accuracy, Referred to the Output (RTO)	Voltage applied to $V_{\text{REF}1}$ and $V_{\text{REF}2}$ in parallel			± 1	mV/V
Output Offset Adjustment Range	$V_S = 5\text{ V}$	0.045		$V_S - 0.035$	V
POWER SUPPLY					
Operating Range		2.7		5.5	V
Quiescent Current Over Temperature	$V_{\text{OUT}} = 0.1\text{ V dc}$			8.2	mA
Power-Supply Rejection Ratio		80			dB
TEMPERATURE RANGE					
For Specified Performance					
Operating Temperature Range		-40		+125	$^{\circ}\text{C}$

¹ The offset adjustment is ratiometric to the power supply when $V_{\text{REF}1}$ and $V_{\text{REF}2}$ are used as a divider between the supplies.

ABSOLUTE MAXIMUM RATINGS

Table 3. Absolute Maximum Ratings

Parameter	Rating
Supply Voltage	6 V
Input Voltage Range, Survival	
+INx to GND	-3 V to +46 V
-INx to GND	-3 V to +46 V
Differential Input Survival	5.5 V (magnitude)
Reverse Supply Voltage	0.3 V
Operating Temperature Range	-40°C to +125°C
Storage Temperature Range	-65°C to +150°C
Output Short-Circuit Duration	Indefinite

Stresses at or above those listed under Absolute Maximum Ratings may cause permanent damage to the product. This is a stress rating only; functional operation of the product at these or any other conditions above those indicated in the operational section of this specification is not implied. Operation beyond the maximum operating conditions for extended periods may affect product reliability.

ELECTROSTATIC DISCHARGE (ESD) RATINGS

The following ESD information is provided for handling of ESD-sensitive devices in and ESD-protected area only.

Human body model (HBM) per ANSI/ESDA/JEDEC JS-001.

ESD Ratings for the AD8417-2

Table 4. AD8417-2, 10-Ball WLCSP

Model	Withstand Threshold (V)	Class
HBM	±2000	2

ESD CAUTION



ESD (electrostatic discharge) sensitive device. Charged devices and circuit boards can discharge without detection. Although this product features patented or proprietary protection circuitry, damage may occur on devices subjected to high energy ESD. Therefore, proper ESD precautions should be taken to avoid performance degradation or loss of functionality.

PIN CONFIGURATION AND FUNCTION DESCRIPTIONS

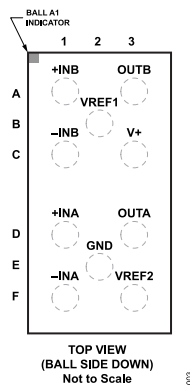


Figure 3. Pin Configuration

Table 5. Pin Function Descriptions

Pin No.	Mnemonic	Description
A1	+INB	Positive Input, Channel B
A3	OUTB	Output, Channel B
B2	V _{REF1}	Reference Input 1
C1	-INB	Negative Input, Channel B
C3	V ₊	Supply
D1	+INA	Positive Input, Channel A
D2	OUTA	Output, Channel A
E2	GND	Ground
F1	-INA	Negative Input, Channel A
F2	V _{REF2}	Reference Input 2

TYPICAL PERFORMANCE CHARACTERISTICS

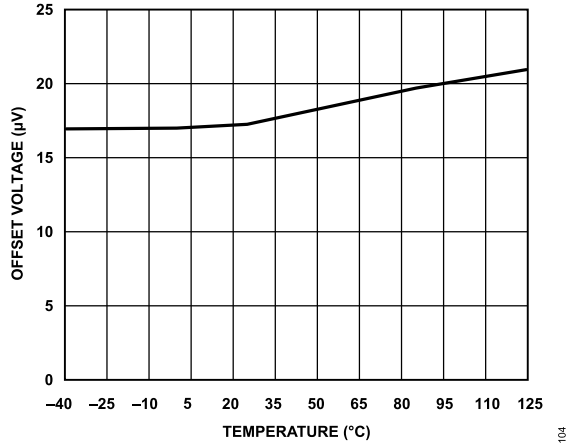


Figure 4. Typical Offset Voltage Drift vs. Temperature

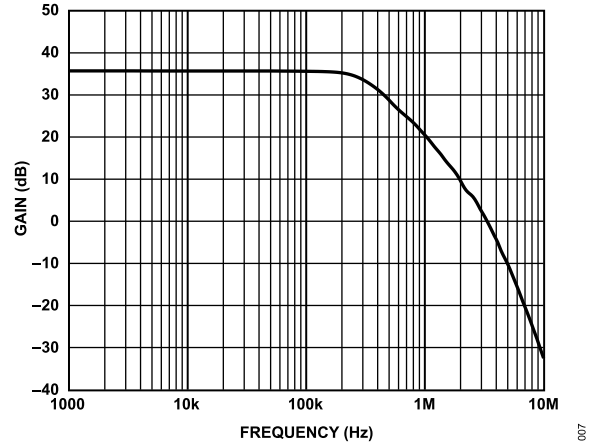


Figure 7. Typical Small Signal Bandwidth ($V_{OUT} = 200\text{ mV p-p}$)

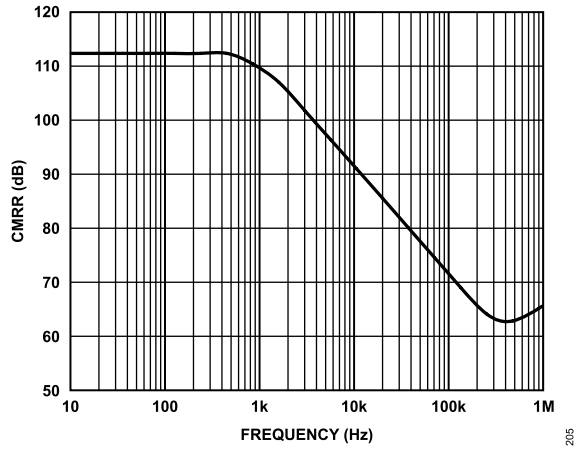


Figure 5. Typical CMRR vs. Frequency

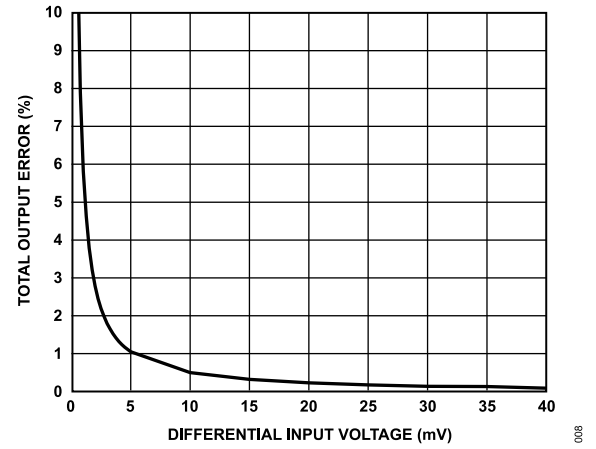


Figure 8. Total Output Error vs. Differential Input Voltage

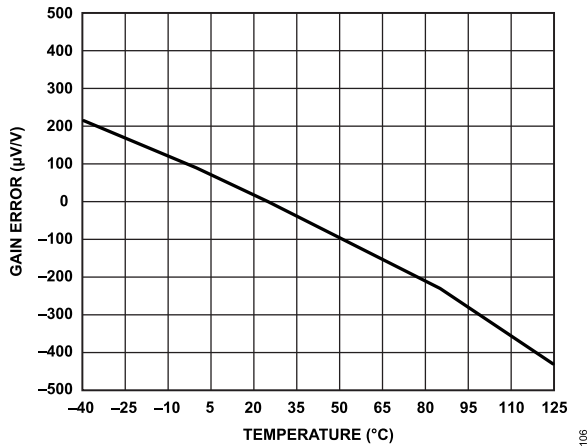


Figure 6. Typical Gain Error vs. Temperature

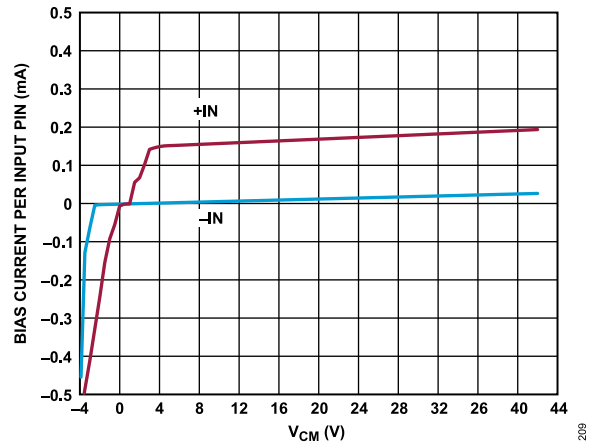


Figure 9. Bias Current per Input Pin vs. V_{CM}

TYPICAL PERFORMANCE CHARACTERISTICS

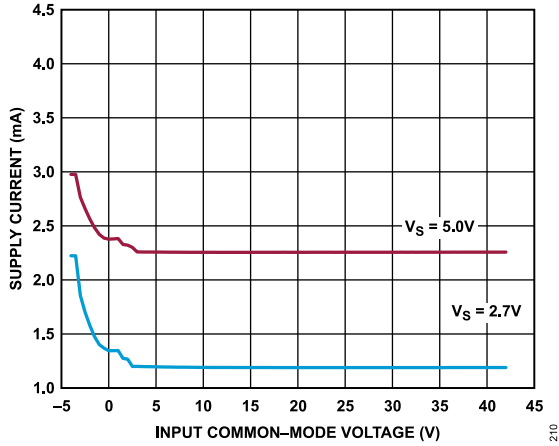


Figure 10. Supply Current vs. Input Common-Mode Voltage

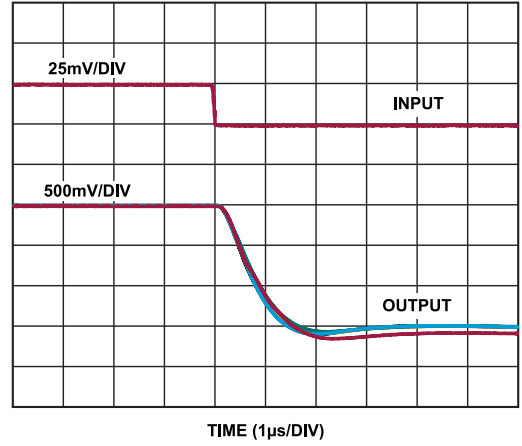


Figure 13. Fall Time ($V_S = 2.7\text{ V}$)

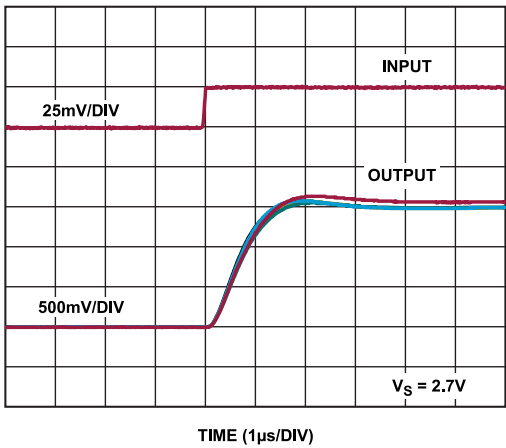


Figure 11. Rise Time ($V_S = 2.7\text{ V}$)

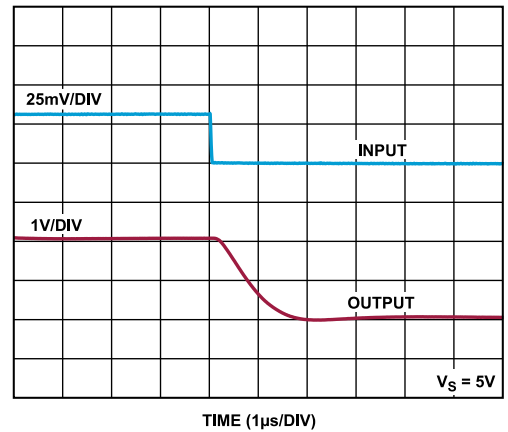


Figure 14. Fall Time ($V_S = 5\text{ V}$)

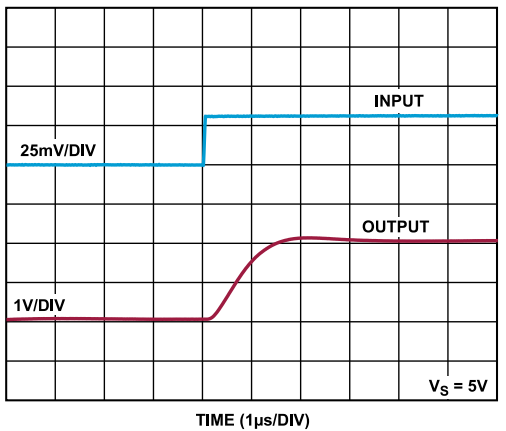


Figure 12. Rise Time ($V_S = 5\text{ V}$)

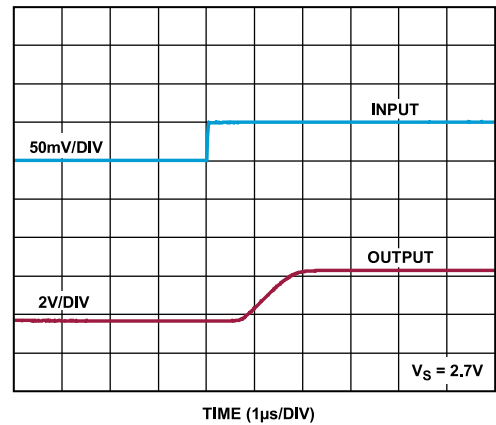


Figure 15. Differential Overload Recovery, Rising ($V_S = 2.7\text{ V}$)

TYPICAL PERFORMANCE CHARACTERISTICS

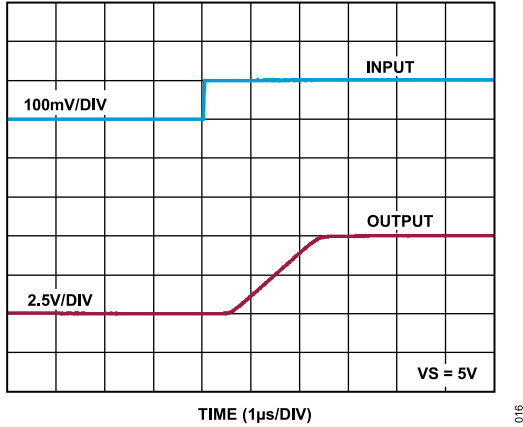


Figure 16. Differential Overload Recovery, Rising ($V_S = 5\text{ V}$)

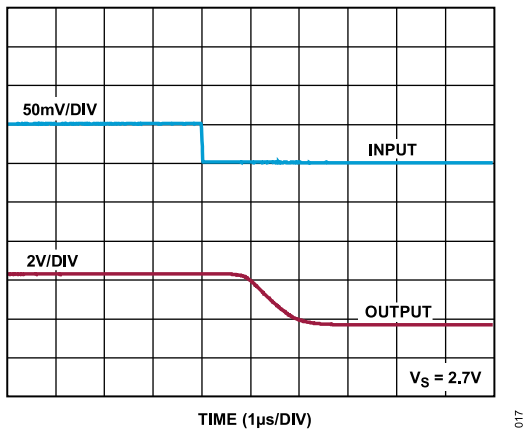


Figure 17. Differential Overload Recovery, Falling ($V_S = 2.7\text{ V}$)

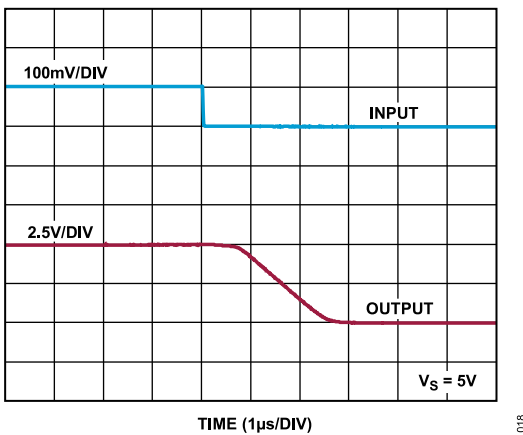


Figure 18. Differential Overload Recovery, Falling ($V_S = 5\text{ V}$)

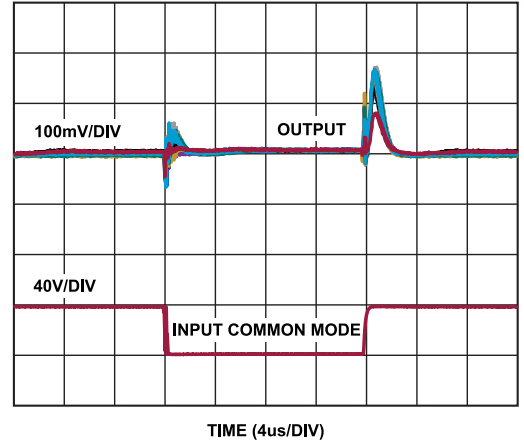


Figure 19. Input Common-Mode Step Response ($V_S = 5\text{ V}$, Inputs Shorted)

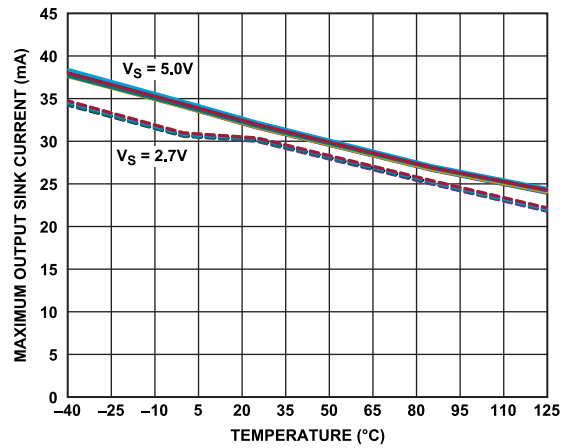


Figure 20. Maximum Output Sink Current vs. Temperature

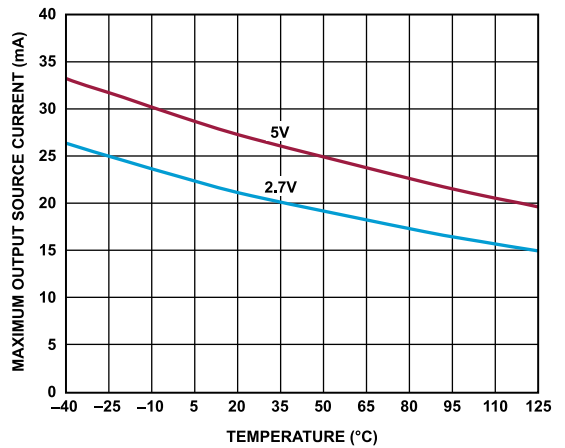


Figure 21. Maximum Output Source Current vs. Temperature

TYPICAL PERFORMANCE CHARACTERISTICS

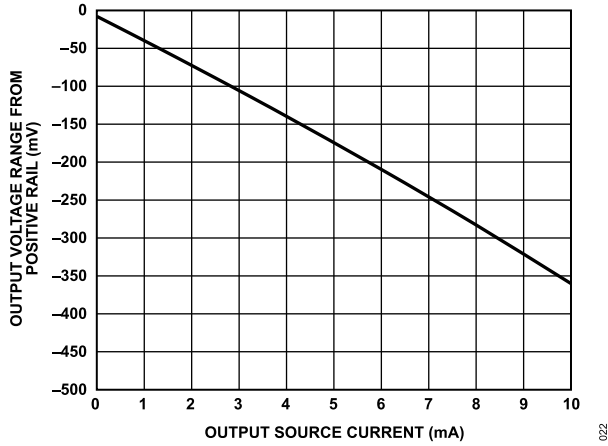


Figure 22. Output Voltage Range from Positive Rail vs. Output Source Current

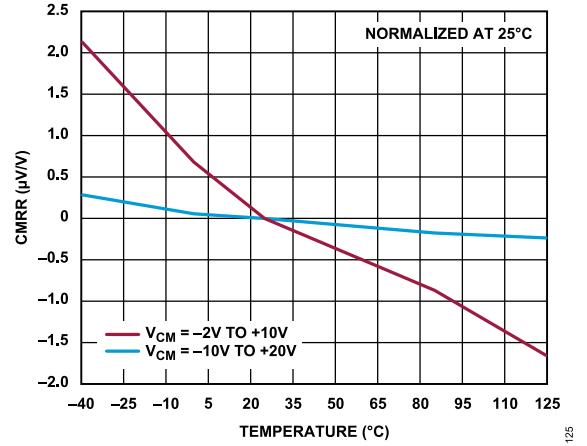


Figure 25. CMRR vs. Temperature

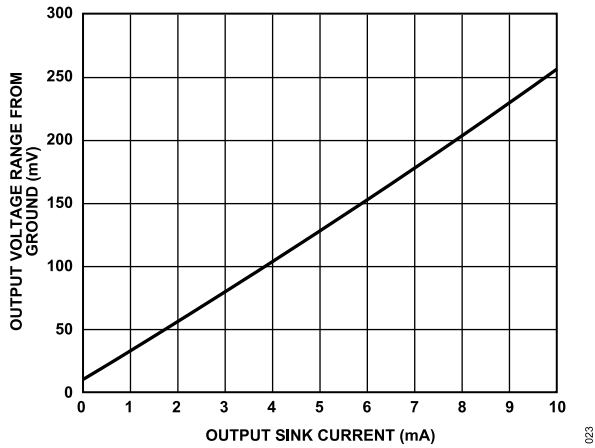


Figure 23. Output Voltage Range from Ground vs. Output Sink Current

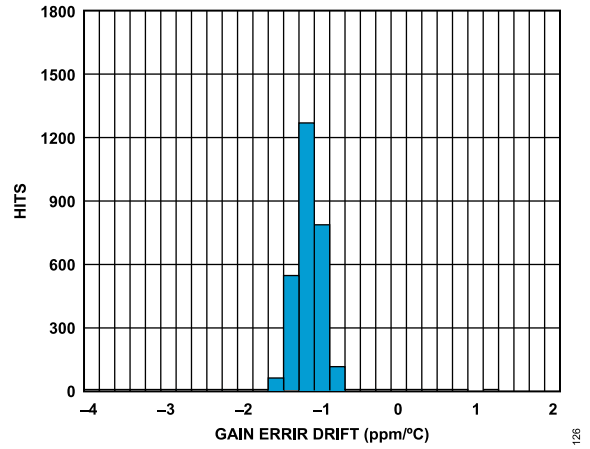


Figure 26. Gain Error Drift Distribution

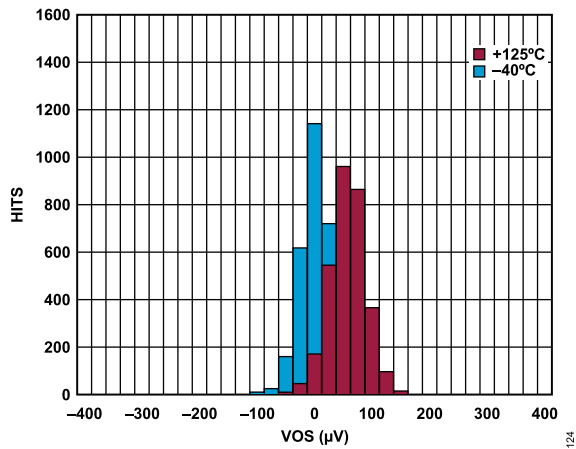


Figure 24. Offset Voltage Distribution

THEORY OF OPERATION

The AD8417-2 is a single-supply, zero drift, difference amplifier that uses a unique architecture to accurately amplify small differential current shunt voltages in the presence of rapidly changing common-mode voltages.

The AD8417-2 design provides excellent common-mode rejection, even with PWM common-mode inputs that can change at very fast rates, for example, 1 V/ns. The AD8417-2 contains patented (U.S. Patent 8,624,668 B2) technology to eliminate the negative effects of such fast changing external common-mode variations.

The AD8417-2 features an input offset drift of less than $0.4 \mu\text{V}/^\circ\text{C}$. This performance is achieved through a novel zero drift architecture that does not compromise bandwidth, which is typically rated at 250 kHz.

The reference inputs, $V_{\text{REF}1}$ and $V_{\text{REF}2}$, are tied through $100 \text{ k}\Omega$ resistors to the positive input of the main amplifier, which allows the output offset to be adjusted anywhere in the output operating range. The gain is 1 V/V from the reference pins to the output when the reference pins are used in parallel. When the pins are used to divide the supply, the gain is 0.5 V/V.

The AD8417-2 offers breakthrough performance without compromising any of the robust application needs typical of solenoid or motor control. The ability to reject PWM input common-mode voltages and the zero drift architecture providing low offset and offset drift allows the AD8417-2 to deliver total accuracy for these demanding applications.

OUTPUT OFFSET ADJUSTMENT

The output of the AD8417-2 can be adjusted for unidirectional or bidirectional operation.

UNIDIRECTIONAL OPERATION

Unidirectional operation allows the AD8417-2 to measure currents through a resistive shunt in one direction. The basic modes for unidirectional operation are ground referenced output mode and V_S referenced output mode.

For unidirectional operation, the output can be set at the negative rail (near ground) or at the positive rail (near V_S) when the differential input is 0 V. The output moves to the opposite rail when a correct polarity differential input voltage is applied. The required polarity of the differential input depends on the output voltage setting. If the output is set at the positive rail, the input polarity must be negative to decrease the output. If the output is set at ground, the polarity must be positive to increase the output.

Ground Referenced Output Mode

When using the AD8417-2 in ground referenced output mode, both referenced inputs are tied to ground, which causes the output to sit at the negative rail when there are zero differential volts at the input (see Figure 27).

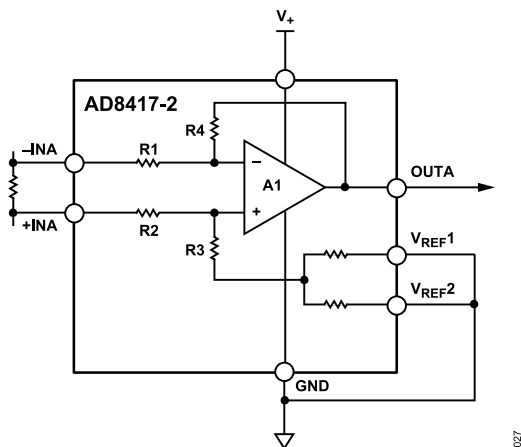


Figure 27. Ground Referenced Output

V_S Referenced Output Mode

V_S referenced output mode is set when both reference pins are tied to the positive supply. It is typically used when the diagnostic scheme requires detection of the amplifier and the wiring before power is applied to the load (see Figure 28).

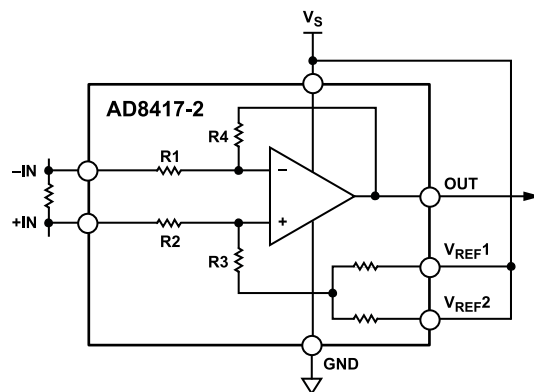


Figure 28. V_S Referenced Output

BIDIRECTIONAL OPERATION

Bidirectional operation allows the AD8417-2 to measure currents through a resistive shunt in two directions.

In this case, the output is set anywhere within the output range. Typically, it is set at half scale for equal range in both directions. In some cases, however, it is set at a voltage other than half scale when the bidirectional current is nonsymmetrical.

Apply voltage(s) to the referenced inputs to adjust the output. V_{REF1} and V_{REF2} are tied to internal resistors that connect to an internal offset node. There is no operational difference between the pins.

EXTERNAL REFERENCED OUTPUT

Tying both pins together and to a reference produces an output equal to the reference voltage when there is no differential input (see Figure 29). The output decreases the reference voltage when the input is negative, relative to the $-IN$ pin, and increases when the input is positive, relative to the $-IN$ pin.

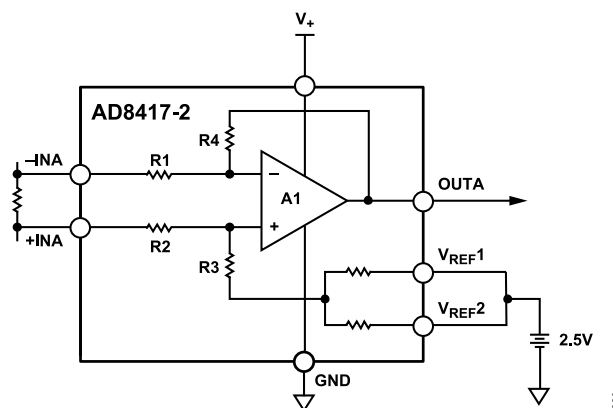


Figure 29. External Referenced Output

OUTPUT OFFSET ADJUSTMENT

SPLITTING THE SUPPLY

By tying one reference pin to V_S and the other to GND, the output is set at half of the supply when there is no differential input (see Figure 30). The benefit of this configuration is that an external reference is not required to offset the output for bidirectional current measurement. Tying one reference pin to V_S and the other to GND creates a mid-scale offset that is ratio-metric to the supply, which means that if the supply increases or decreases, the output remains at half the supply. For example, if the supply is 5.0 V, the output is at half scale, or 2.5 V. If the supply increases by 10% (to 5.5 V), the output increases to 2.75 V.

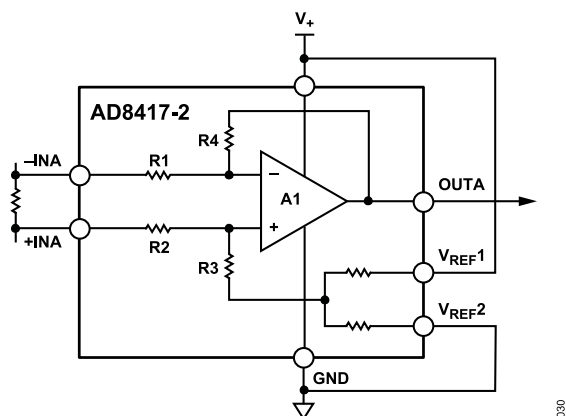


Figure 30. Split Supply

SPLITTING AN EXTERNAL REFERENCE

Use the internal reference resistors to divide an external reference by 2 with an accuracy of approximately 0.2%. Split an external reference by connecting one V_{REFX} pin to ground and the other V_{REFX} pin to the reference (see Figure 31).

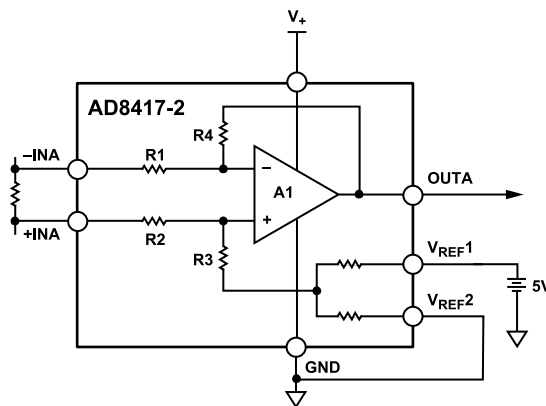


Figure 31. Split External Reference

APPLICATIONS INFORMATION

MOTOR CONTROL

3-Phase Motor Control

The AD8417-2 is ideally suited for monitoring current in 3-phase motor applications.

The 250 kHz typical bandwidth of the AD8417-2 provides instantaneous current monitoring. Additionally, the typical low offset drift of 0.1 $\mu\text{V}/^\circ\text{C}$ means that the measurement error between the two motor phases is at a minimum over temperature. The AD8417-2 rejects PWM input common-mode voltages in the -2 V to $+70\text{ V}$ (with a 5 V supply) range. Monitoring the current on the motor phase allows sampling of the current at any point and provides diagnostic information, such as a short to GND and the battery. See Figure 33 for the typical phase current measurement setup with the AD8417-2.

H-Bridge Motor Control

Another typical application for the AD8417-2 is to form part of the control loop in H-bridge motor control. In this case, place the shunt resistor in the middle of the H-bridge to accurately measure

current in both directions by using the shunt available at the motor (see Figure 32). Using an amplifier and shunt in this location is a better solution than a ground referenced op amp because ground is not typically a stable reference voltage in this type of application. The instability of the ground reference causes inaccuracies in the measurements that can be made with a simple ground referenced op amp. The AD8417-2 measures current in both directions as the H-bridge switches and the motor changes direction. The output of the AD8417-2 is configured in an external referenced bidirectional mode (see the Bidirectional Operation section).

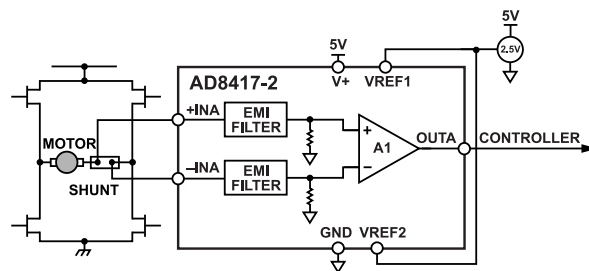


Figure 32. H-Bridge Motor Control

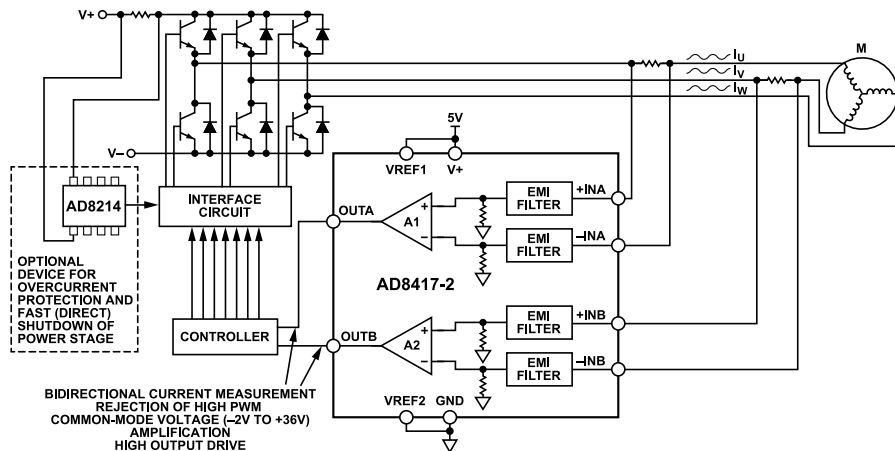


Figure 33. 3-Phase Motor Control

APPLICATIONS INFORMATION

SOLENOID CONTROL

High-Side Current Sense with a Low-Side Switch

In the case of a high-side current sense with a low-side switch, the PWM control switch is ground referenced. Tie an inductive load (solenoid) to a power supply and place a resistive shunt between the switch and the load (see Figure 34). An advantage of placing the shunt on the high side is that the entire current, including the recirculation current, is measurable because the shunt remains in the loop when the switch is off. In addition, diagnostics are enhanced because shorts to ground are detected with the shunt on the high side.

In this circuit configuration, when the switch is closed, the common-mode voltage decreases to near the negative rail. When the switch is open, the voltage reversal across the inductive load causes the common-mode voltage to be held one diode drop above the battery by the clamp diode.

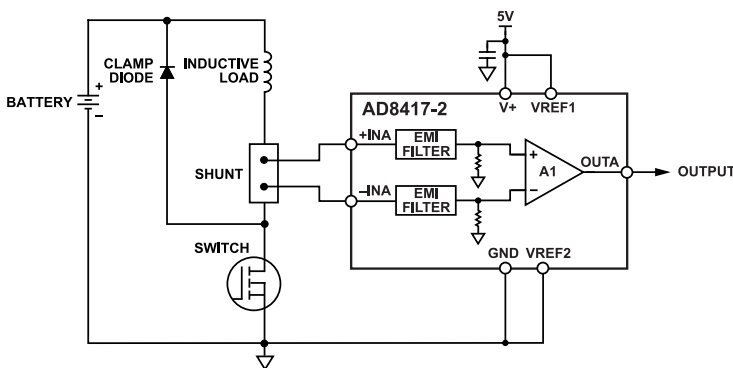


Figure 34. Low-Side Switch

High-Side Current Sense with a High-Side Switch

The high-side current sense with a high-side switch configuration minimizes the possibility of unexpected solenoid activation and excessive corrosion (see Figure 35). In this case, both the switch and the shunt are on the high side. When the switch is off, the battery is removed from the load, which prevents damage from potential shorts to ground while still allowing the recirculating current to be measured and to provide diagnostics. Removing the power supply from the load for the majority of the time that the switch is open minimizes the corrosive effects that can be caused by the differential voltage between the load and ground.

When using a high-side switch, the battery voltage is connected to the load when the switch is closed, causing the common-mode voltage to increase to the battery voltage. In this case, when the switch is open, the voltage reversal across the inductive load causes the common-mode voltage to be held one diode drop below ground by the clamp diode.

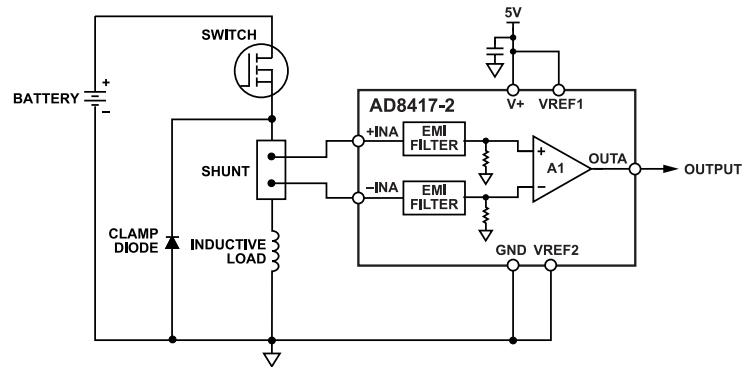


Figure 35. High-Side Switch

High Rail Current Sensing

In the high rail current sensing configuration, the shunt resistor is referenced to the battery. High voltage is present at the inputs of the current sense amplifier. When the shunt is battery referenced, the AD8417-2 produces a linear ground referenced analog output. Additionally, the AD8214 provides an overcurrent detection signal in as little as 100 ns (see Figure 36). This feature is useful in high current systems where fast shutdown in overcurrent conditions is essential.

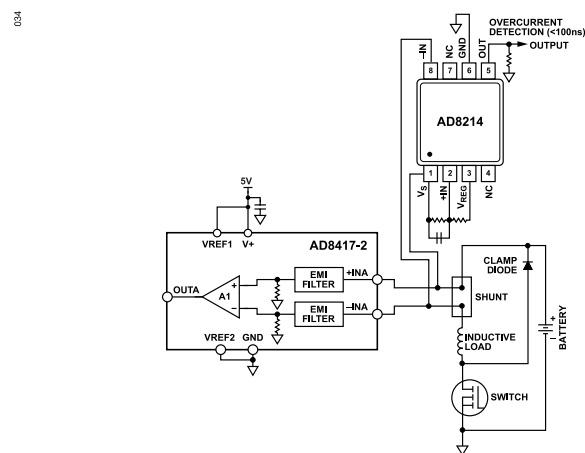


Figure 36. High Rail Current Sensing

OUTLINE DIMENSIONS

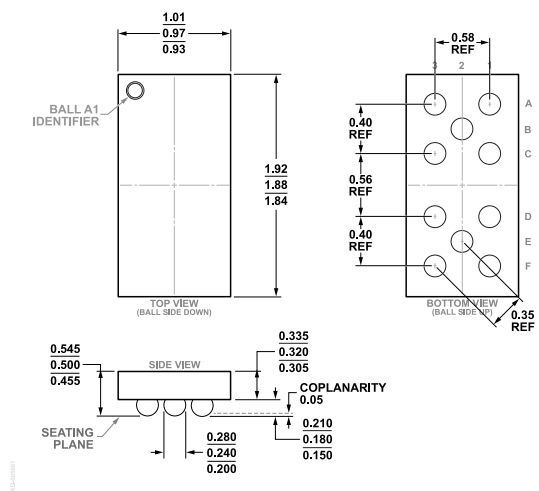


Figure 37. 10-Ball Wafer Level Chip Scale Package [WLCSP] (CB-10-2)
Dimensions shown in millimeters

Updated: June 02, 2023

ORDERING GUIDE

Model ¹	Temperature Range	Package Description	Packing Quantity	Package Option	Marking Code
AD8417-2ACBZ-R7	-40°C to +125°C	CHIPS W/SOLDER BUMPS/WLCSP	Reel, 3000	CB-10-2	Y78

¹ Z = RoHS Compliant Part.