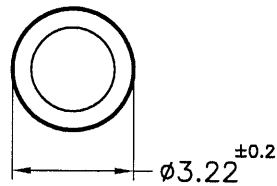
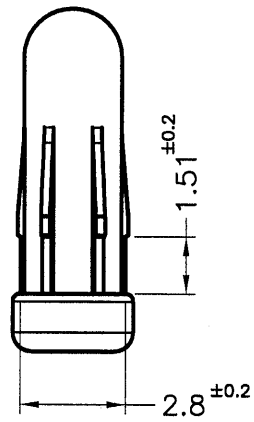
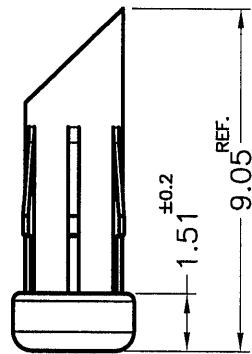
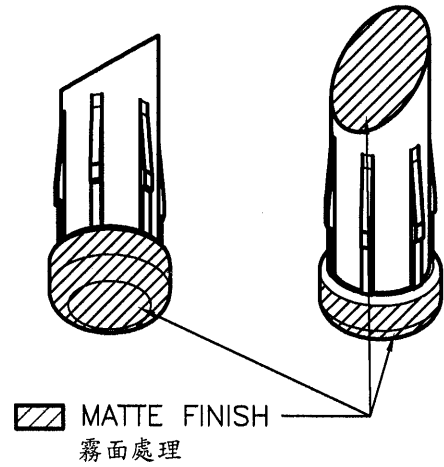



REVISIONS			
REV	DESCRIPTION	DATE	BY



NOTE:MADE OF EQUIVALENT MATERIAL.
均可使用同等材質.

 <p>康揚企業股份有限公司 KANG YANG HARDWARE ENTERPRISE CO., LTD. 康揚塑膠(東莞)有限公司 KANG YANG PLASTIC(DONG GUAN)CO.,LTD. 康哲電腦配件(吳江)有限公司 KANG CHE COMPUTER COMPONENTS(WUJIANG) CO.,LTD.</p>				TITLE	LIGHT PIPE		SPEC. DWG.		
				MATERIAL	PC		DATE	2015.12.16	
				FINISH			DRAWN	M.F	
				COLOR	TRANSPARENT		CHECK	彭永承	
PART NUMBER	LEM-208		DRAWING NUMBER	LEM-208		UNLESS OTHERWISE SPECIFIED TOLERANCE	SEE ABOVE		
SIZE	SCALE	UNIT	REV	APPROVED		Kang			
A4	5:1	mm	B						