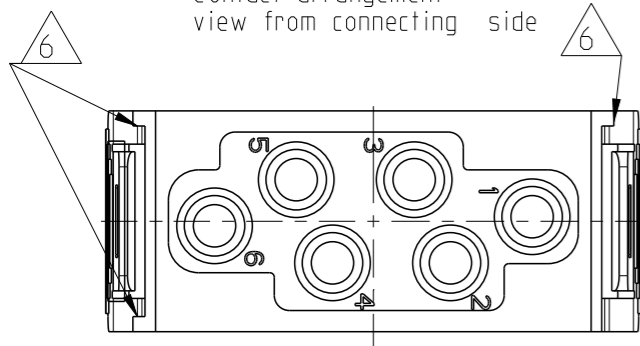


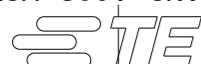
NOTES

- 1 SUITABLE CRIMP CONTACTS: SERIES HE
CUSTOMER DRAWING: 1105101
OUTER DIMENSIONS OF INSULATION: MAX. Ø4.9mm
- 2 SUITABLE MODULE FIXING FRAME: SERIES HVS SIZE 3 TO 8
CUSTOMER DRAWING: 1103250
- 3 SUITABLE INSERTION TOOL:
CUSTOMER DRAWING: 0-1102855-6
- 4 SUITABLE EXTRACTION TOOL:
CUSTOMER DRAWING: 0-1102855-7
- 5 STANDARDS:
DIN EN 61984; DIN EN 60664-1
- 6 POLARIZATION RIPS
- 7 MARKING OF POLARIZATION ACCORDING TO MARKING OF
MODULE FRAME
- 8 PACKAGING:
10 SETS IN A CARTON, PRE-MOUNTED

Contact arrangement
view from connecting side



HVS-HE.6.Bu.C
0-1103245-1
16A 500V 6KV 3

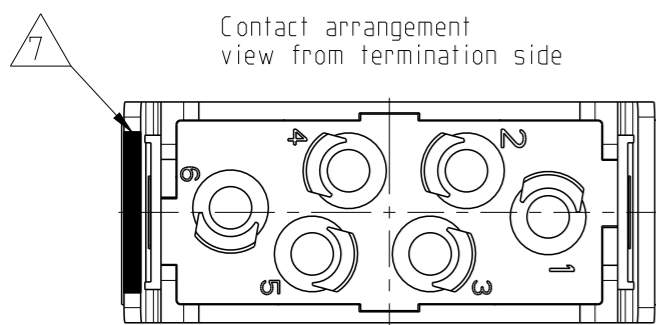


31.8

40

14.6

Contact arrangement
view from termination side

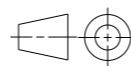


1	COVER FOR FEMALE INSERT HVS-HE.6.Bu-DE	PBT-GF15	LIGHT GREY		2
1	FEMALE INSERT HVS-HE.6	PBT-GF10	LIGHT GREY		1
QTY	DESCRIPTON	MATERIAL	COLOR	NOTE	ITEM
HVS-HE.6.Bu.C					

THIS DRAWING IS A CONTROLLED DOCUMENT.

DIMENSIONS:

mm



TOLERANCES UNLESS OTHERWISE SPECIFIED:

- 0 PLC ±
- 1 PLC ±
- 2 PLC ±
- 3 PLC ±
- 4 PLC ±
- ANGLES ±

MATERIAL



FINISH



DWN 24.05.2005

M.SCHWEIGER

CHK 22.05.2005

T.SCHNURPFEL

APVD 20.12.2006

T.SCHNURPFEL

PRODUCT SPEC

APPLICATION SPEC

WEIGHT

CUSTOMER DRAWING



TE Connectivity

NAME

FEMALE INSERT
HVS-HE.6.BU.C

SIZE

CAGE CODE

DRAWING NO

RESTRICTED TO

A3

00779

C-1103245

SCALE 2:1

SHEET 1 OF 1

REV C