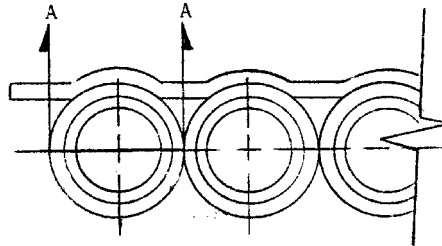


REVISIONS			
LTR	DESCRIPTION	DATE	APPROVED
B	REVISED PER DCO# 01831	7/14/80	plan
C	REVISED PER ECN# T-3749	10-1-82	JB

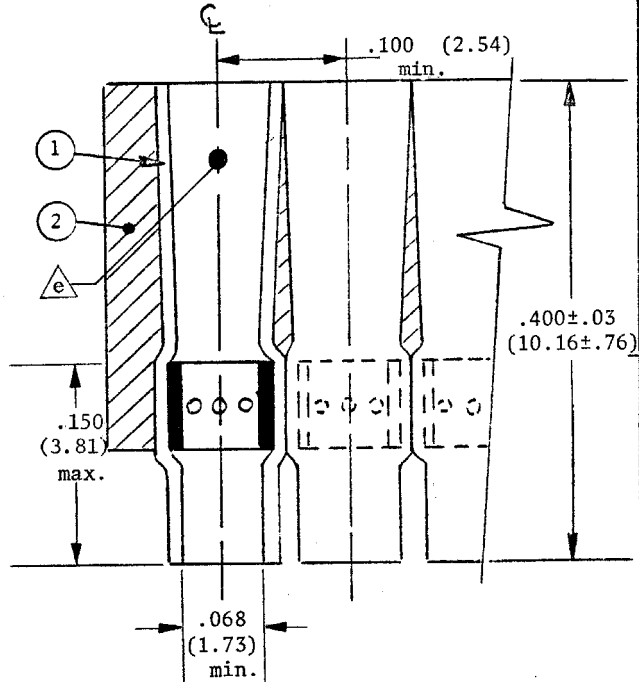
1. RAYCHEM SOLDER SLEEVE  
(20 per assembly)  
Transparent blue, radiation crosslinked polyvinylidene fluoride containing a solder preform conforming to QQ-S-571 type Sn63 8 RMAP 2



2. CARRIER STRIP  
Adhesive coated high temperature tape.

NOTES:

- a. This assembly is designed for use with a Raychem AS-4000 Series Wire Organization System to terminate wires to a Raychem SEM Connector. The wire shall have 20 - 22 gauge tin or silver plated, stranded conductors and insulation rated for at least 125 C, the O.D. over the jacket shall be between .025 and .068.
- b. Temperature rating of terminator: -65°C to +125°C.
- c. Insulation sleeve will recover to .030 max. I.D.
- d. Acceptance sampling shall be in accordance with Inspection Level I of MIL-STD-105: The acceptable quality level (AQL) shall be 4.0. Color code shall be clearly visible before and after termination.



If this document is printed it becomes uncontrolled.  
Check with the web for latest revision.

DO NOT SCALE THIS DRAWING		CONNECTORS SPECIFICATION CONTROL DRAWING			RAYCHEM CORPORATION 300 CONSTITUTION DRIVE MENLO PARK, CALIFORNIA 94025	
UNLESS OTHERWISE SPECIFIED DIMENSIONS ARE IN INCHES AND TOLERANCES ARE: .XXX: ± .XX: ± .X: ±	DRAWN	11/5	RAYCHEM			
	CHECKED	[Signature]				
	APPROVED	11/5/79	TITLE	Solder Sleeve Wire Terminator Assembly 20 - 22 Gauge Wire/SEM Connector		
MATERIAL	APPROVED	36T 10/31/80	SIZE	CODE IDENT.	DWG. NO.	CTA-0051
	APPROVED		A	NO. 06090		
FINISH	PART NO.		PROJECT	6448-7029		SHEET 1 OF 1
			SIZE	WEIGHT		