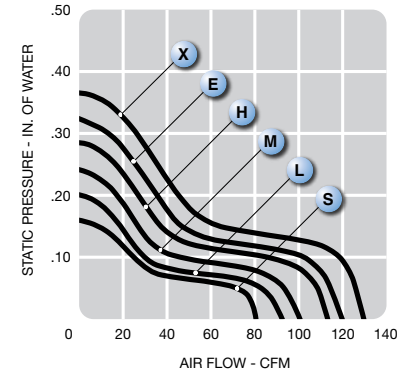
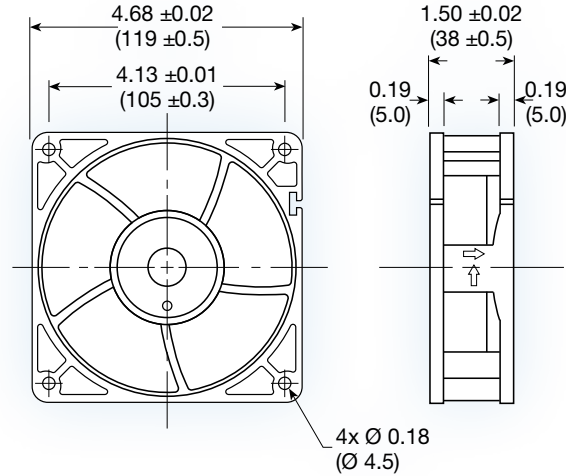


# F1238-H series

## HIGH PERFORMANCE



**(119 x 119 x 38 mm)**  
4.69 x 4.69 x 1.5 inches

**Features:** high performance impeller for maximum air flow

**Construction:** brass bearing stand

**Bearing option:** ball bearings

**Connection:** lead wires or terminal

**Frame:** flanged

**Protection:** electronic locked rotor sensor, auto-restart, reverse polarity protection

**Options:** tachometer output or locked rotor alarm signal

| Model No. | Rated Voltage V | Current mA |     |     |     | Speed RPM | Air Volume CFM | Max. Static Pressure (H <sub>2</sub> O) INCH | Sound Noise dbA | Weight oz |
|-----------|-----------------|------------|-----|-----|-----|-----------|----------------|--|-----------------|-----------|
|           |                 | 5          | 12  | 24  | 48  |           |                |  |                 |           |
| F1238S-H  | 5/12/24/48      | 520        | 180 | 90  | 60  | 2,100     | 81             | 0.16   | 33              | 9.45      |
| F1238L-H  | 12/24/48        | -          | 290 | 145 | 80  | 2,400     | 93             | 0.20   | 35              | 9.45      |
| F1238M-H  | 12/24/48        | -          | 360 | 180 | 120 | 2,700     | 103            | 0.24   | 38              | 9.45      |
| F1238H-H  | 12/24/48        | -          | 440 | 220 | 140 | 3,000     | 112            | 0.28   | 41              | 9.45      |
| F1238E-H  | 12/24/48        | -          | 700 | 350 | 210 | 3,300     | 121            | 0.33   | 44              | 9.45      |
| F1238X-H  | 12/24           | -          | 950 | 500 | -   | 3,600     | 130            | 0.37   | 47              | 9.45      |

