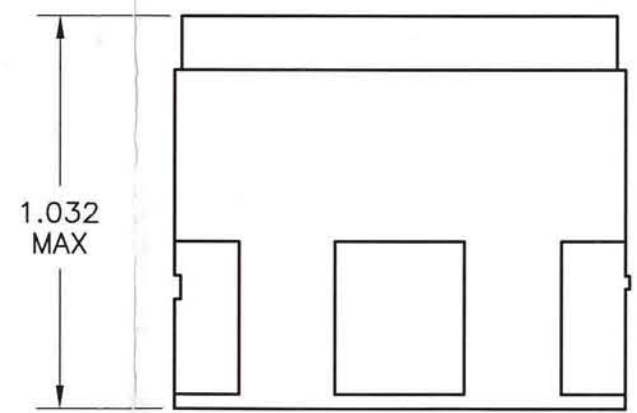
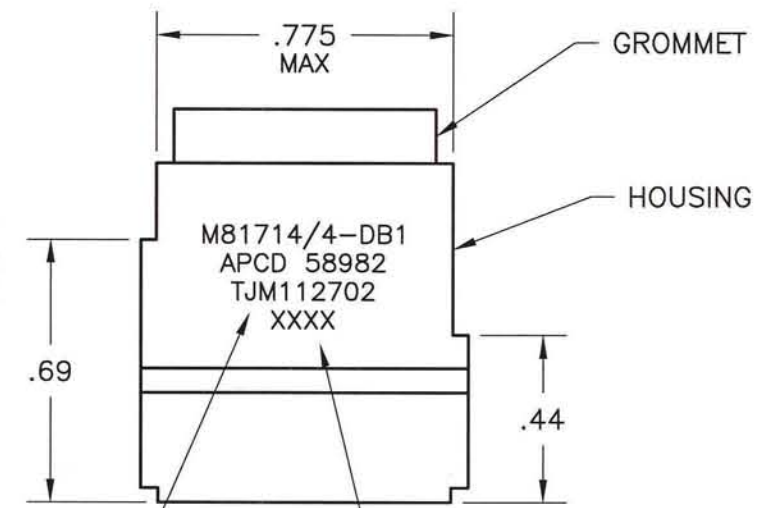
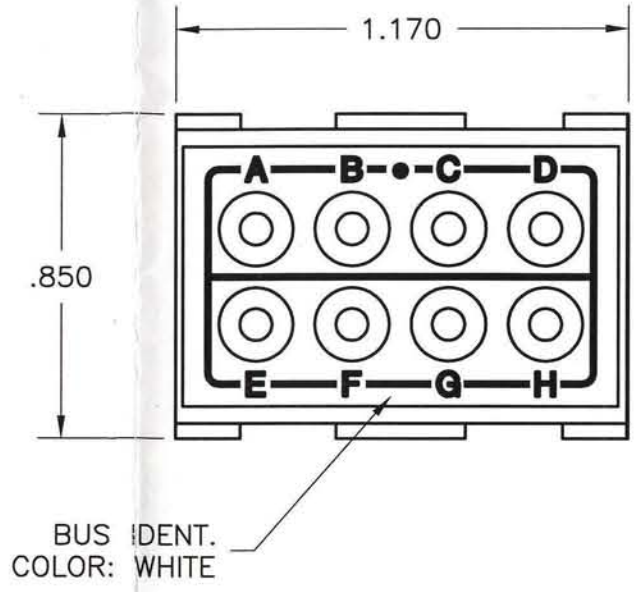


TJM112602

REV	ECN	APP'D
T	3232	JR 3/16/98
U	3305	JR 4/17/98
X	3309	JR 4/29/98
Y	-	
Z	5493	JT 8/2/04
AA	5510	JT 9/2/04

- NOTES:
- REQUIREMENTS:
    - MEETS PERFORMANCE AND ENVIRONMENTAL REQUIREMENTS OF MIL-T-81714/4 REV. F.
    - MODULES ARE TO BE MOUNTED INTO RACK ASSEMBLY M81714/5 OR /16 OR COMMERCIAL EQUIVALENT.
    - DIELECTRIC WITHSTANDING VOLTAGE: 1500VRMS, 2mA LEAKAGE, 25° C AT SEA LEVEL, CONTACT TO MOUNTING RACK.
    - OPERATING TEMPERATURE: -65° C TO 200° C.
  - MATERIALS:
    - HOUSING - POLYETHERIMIDE, COLOR: BLACK.
    - GROMMET - SILICONE ELASTOMER, COLOR: BLUE.
    - INTERNAL CONTACTS - COPPER ALLOY, GOLD PLATED
    - CONTACT RETAINERS - BERYLLIUM COPPER.
  - PIN CONTACT CRIMP AND INSTALLATION TOOLS ARE NOT INCLUDED. REQUIREMENTS BELOW ARE FOR REFERENCE ONLY.
    - PIN CONTACTS - SEE TABLE
    - CONTACT TOOLS -  
 CRIMP TOOL: M22520/1-01  
 POSITIONER: M22520/1-02, YELLOW  
 INSERTION/REMOVAL: M81969/14-04.
  - INSPECT PARTS PER APPLICABLE INSPECTION PLAN, TJM1126XX OR TJM1127XX.



WHITE MARKING  
.062 HIGH  
(MARKING TYP BOTH P/N)

DATE CODE

PCD P/N	SUPPLIED	
	PIN CONTACT M39029/1-103	SEALING PLUG MS27488-12
TJM112602	NONE	NONE
TJM112702	NINE (9)	TWO (2)

DIMENSIONS ANSI Y14.5M UNITS: INCHES ACAD FILE	TOLERANCES .XX ± 01 .XXX ± .005 ANGLES ± 2°	PROJECTION 	<b>Amphenol Pcd</b> SPECIFICATION DRAWING		TITLE TERMINAL JUNCTION MODULE SZ-12 FEEDBACK, B1 BUS				
			ENGR A. PATRIE 8/8/95		SIZE B	DWG NO. TJM112602	REV AA		
ORIGINAL 	THIS DOCUMENT CONTAINS PROPRIETARY INFORMATION WHICH IS THE CONFIDENTIAL PROPERTY OF AMPHENOL PCD INC. PEABODY, MA		CHKD A. PATRIE 6/12/01		APPD J. RUTKOWSKI 8/15/95		CODE: 58982	SCALE: 2X	SHEET 1 OF 1

TJM112602

TJM112602