

NOTES:

- 1 MATERIAL:
 A. BODY; PHOSPHOR BRONZE PER QQ-B-750.
 B. SCREW; STAINLESS STEEL PER QQ-S-763,
 300 SERIES.
 C. CLAMP INSERT; FLUOROSILICONE ELASTOMER
 PER MIL-R-25988.

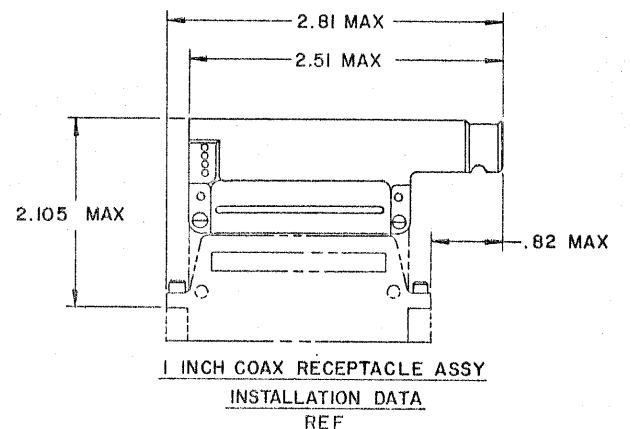
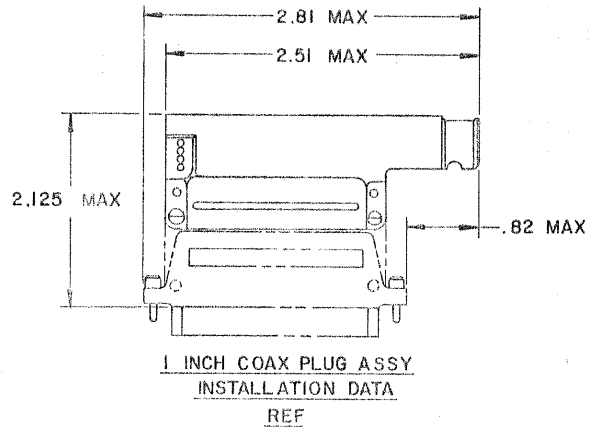
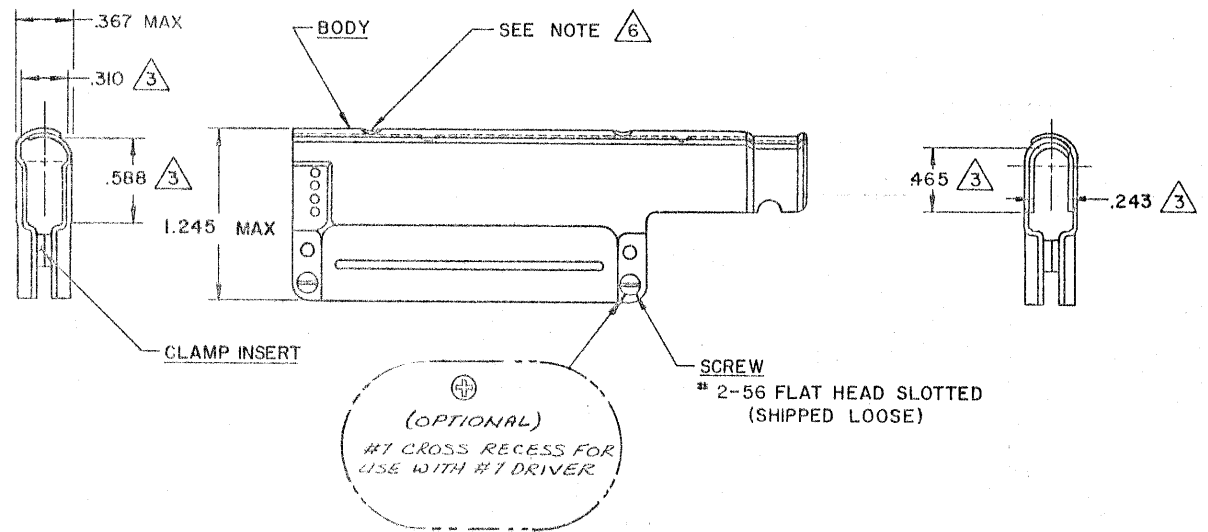
- 2 FINISH:
 A. BODY; TIN PLATED PER MIL-T-10727 OVER
 NICKEL PER MIL-C-26074.

B. SCREW; PASSIVATED PER QQ-P-35.
 (3) THESE DIMENSIONS ARE FOR MAXIMUM
 CABLE ACCOMMODATION.

4. **Raychem** PART NUMBER CHA-0016.
 IS MARKED ON BACKSHELL PACKAGE.
 5. THIS BACKSHELL IS FOR USE WITH **Raychem**
 MTC COAX CONNECTORS. 1" COAX PLUG OR
 1" COAX RECEPTACLE AS SHOWN.

(6) .125 DIA. MAX. (CONSTRUCTION HOLES)
 TWO (2) HOLES ON EACH HALF OF PART
 APPROX. AS SHOWN.

| REVISIONS | | DATE | APPROVED |
|-----------|-----|--------------------------|----------|
| ZONE | LTR | DESCRIPTION | |
| 1 | A | REVISED PER ECN F-012650 | 9/30/80 |



CONNECTOR SPECIFICATION CONTROL DRAWING

| | | | | | |
|---|----------|----------|------------|--|---|
| UNLESS OTHERWISE SPECIFIED DIMENSIONS ARE IN INCHES BRACKETED DIMENSIONS () ARE METRIC AND TOLERANCES ARE: .XXX: ± () .XX: ± () Δ: ± () | DRAWN | WJACKSON | 9-30-80 | <small>RAYCHEM CORPORATION 330 GUNSTILLTOWN DRIVE MENLO PARK, CALIFORNIA 94025</small> | |
| | CHECKED | B | | | |
| | APPROVED | Plain | 7-30-80 | | |
| | APPROVED | | | | |
| | | | | TITLE | RIGHT ANGLE BREAKOUT BACKSHELL ASSY 1 INCH MTC COAX |
| | | SIZE | CODE IDENT | DWG. NO. | |
| | | C | NO. 06090 | CHA-0016 | |
| | | | | WEIGHT | SHEET 1 OF 1 |

If this document is printed it becomes uncontrolled.
 Check with the web for latest revision.

DO NOT SCALE THIS DRAWING