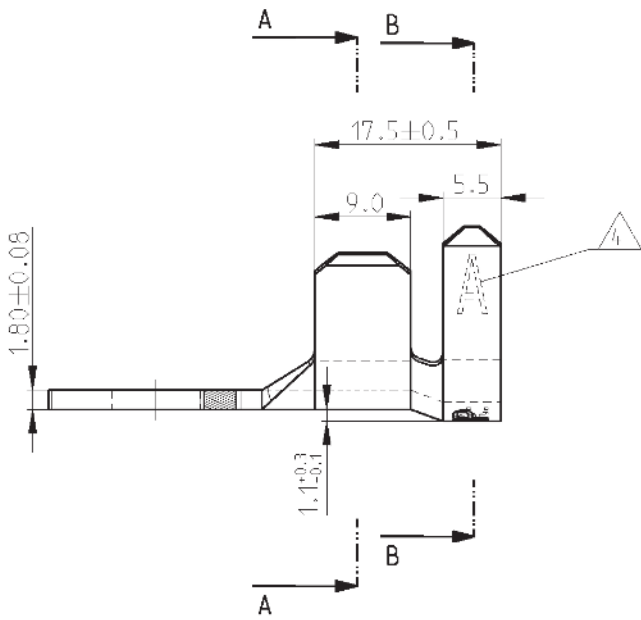
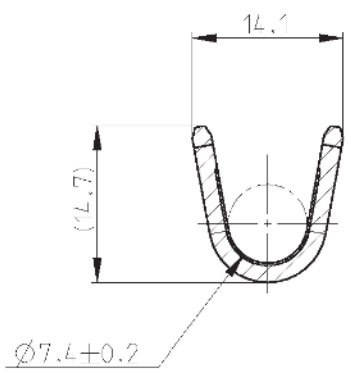


THIS DRAWING IS UNPUBLISHED. RELEASED FOR PUBLICATION 2000
 © COPYRIGHT 2000 BY TYCO ELECTRONICS CORPORATION. ALL RIGHTS RESERVED.

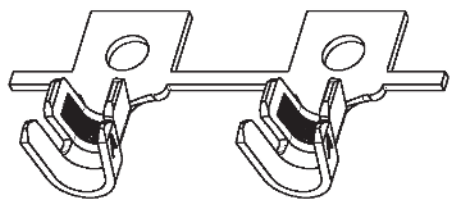
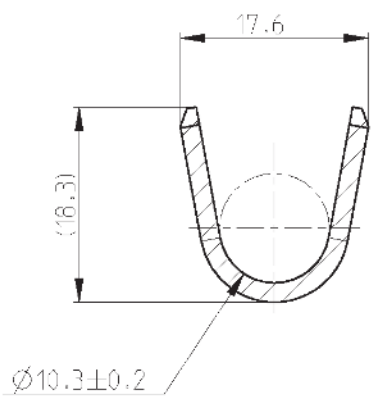
| | | | | | | | |
|-----|------|-----------|----|---------------------------|-----------|-----|------|
| LCC | DIS1 | REVISIONS | | | | | |
| A1 | 01 | P | TR | DESCRIPTION | DATE | DWN | APVD |
| | | A4 | | REVISED PER ECR-19-017995 | 09DEC2019 | PC | MK |



SCHNITT A-A

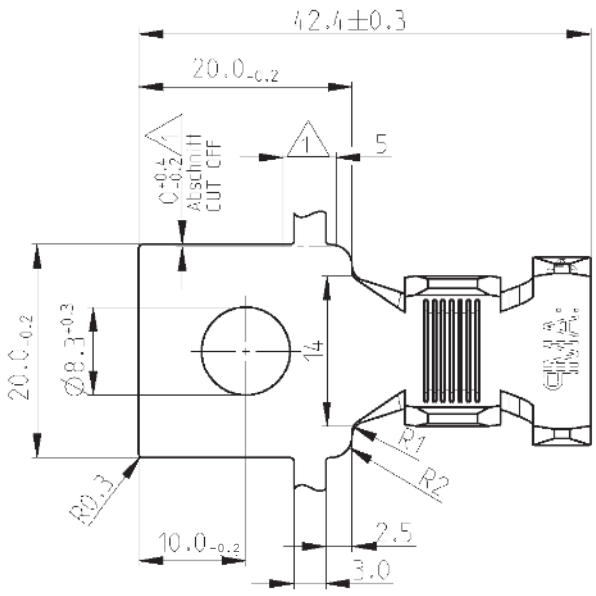


SCHNITT B-B



MASSSTAB 1:1

- 1 Massangabe fuer Anschlagwerkzeug
DIMENSION FOR APPLICATOR
- 2 Drahtgrossenbereich/WIRE RANGE: 25 - 35mm²
Isolationsdurchmesser/INSUL. RANGE: 8.5 - 11.5mm²
- 3 Teile auf Kunststoffspule aufgewickelt (nicht unterbrechungsfrei)
Menge/Spule: 450
PARTS REELED ON PLASTIC-REEL (NOT SPLICE FREE)
QUANTITY/REEL: 450
- 4 Aenderungsstand des Produktes
REVISIONSTATUS OF PRODUCT



| | | | |
|--------------------|----------|-------------|---------------------|
| OBSOLETE | | | 929928-2- |
| PLAIN / Blank | CuSn 4 | DIN EN 1652 | auf Anfrage |
| PLAIN / Blank | CuZn30 | DIN EN 1652 | 929 928-1 |
| FINISH/Oberflaeche | MATERIAL | | PART NO/Bestell-Nr. |

| | | | | |
|--|--|--------------------|-----------------------|-----------------|
| <small>THIS DRAWING IS A CONTROLLED DOCUMENT FOR TYCO ELECTRONICS CORPORATION IT IS SUBJECT TO CHANGE AND THE CONTROLLING ENGINEERING ORGANIZATION SHOULD BE CONTACTED FOR THE LATEST REV. INFO.</small> | | DWN R. Liehning | 03SEP2002 | IE Connectivity |
| DIMENSIONS: (mm) | | CHK - | APVD - | |
| TOLERANCES UNLESS OTHERWISE SPECIFIED: 1 PLC ±0.4 ±0.3mm 2 PLC ±0.1 ±0.2 3 PLC ±0.01 ±0.005 4 PLC ANGLES ±0.1 | | PRODUCT SPEC - | APPLICATION SPEC - | SIZE A3 |
| MATERIAL | | WEIGHT | CAGE CODE | DRAWING NO |
| FINISH | | 00779 | | ©=929928 |
| CUSTOMER DRAWING | | | SCALE | SHEET |
| | | | 2:1 | 1 OF 1 |
| | | | REV | A4 |