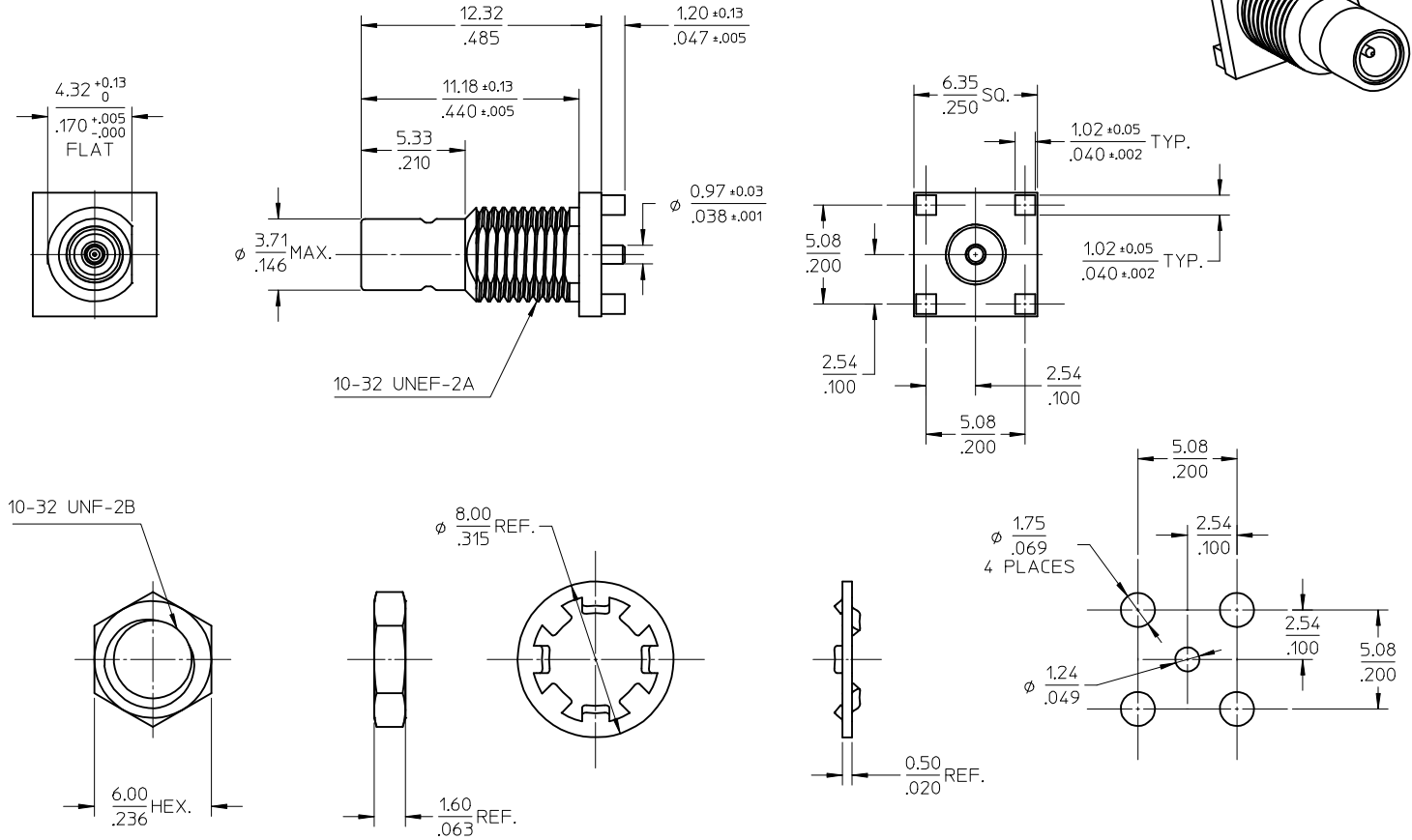
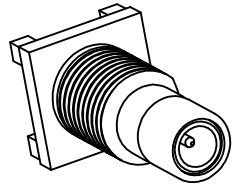


MATERIALS AND FINISHES

- BODY BRASS  
PLATED GOLD 1 MICROINCHS MIN.
- CENTER CONTACT BRASS  
PLATED GOLD 10 MICROINCHS MIN.
- INSULATOR TEFLON
- JAM NUT BRASS  
PLATED GOLD 1 MICROINCHS MIN.
- LOCK WASHER PHOSPHOR BRONZE  
PLATED GOLD 1 MICROINCHS MIN.



RECOMMENDED PCB LAYOUT

MIL-STD-348A FIG. 311-1	PERFORMANCE SPECIFICATION
SPECIFICATION	DESCRIPTION

<b>NEW RELEASED</b> EC NO: <b>URF200520230</b> DRWNLN CHKD: APPR: <b>MHUANG</b> 2004/12/22 DESCRIPTION	QUALITY SYMBOLS	GENERAL TOLERANCES (UNLESS SPECIFIED)	DIMENSION STYLE	SCALE	DESIGN UNITS	THIRD ANGLE PROJECTION
	▽=0 C=0	mm INCH 4 PLACES ± --- ± --- 3 PLACES ± --- ± --- 2 PLACES ± 0.25 ± --- 1 PLACE ± 0.13 ± --- ANGULAR ± 2 °	MM/IN	2.5:1	METRIC	
		DRAFT WHERE APPLICABLE MUST REMAIN WITHIN DIMENSIONS	DRAWN BY DATE	TITLE		
			EVITA 2004/12/07	50 OHM SMB VERTICAL PCB MOUNT JACK RECEPTACLE SMB-J/PCB		
		CHECKED BY DATE	MOLEX INCORPORATED			
		JOHNSON 2004/12/07	DOCUMENT NO.			
		APPROVED BY DATE	SD-73396-038			
		MISEN 2004/12/07	SHEET NO.			
		MATERIAL NO.	1 OF 1			
		73396-0380	THIS DRAWING CONTAINS INFORMATION THAT IS PROPRIETARY TO MOLEX INCORPORATED AND SHOULD NOT BE USED WITHOUT WRITTEN PERMISSION			
		SIZE				
		A3				