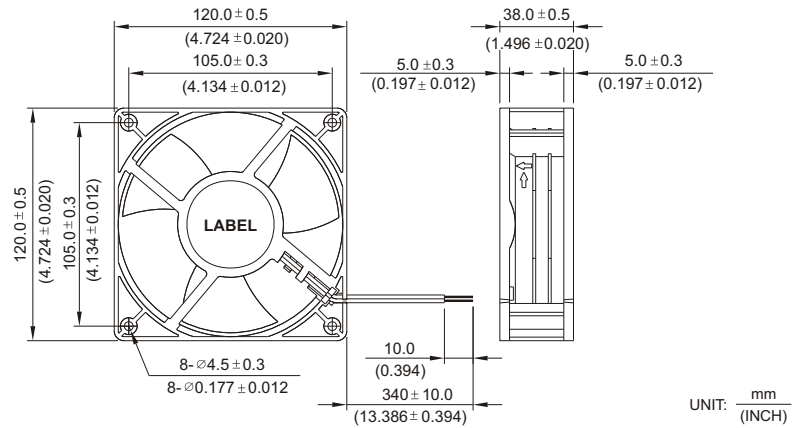
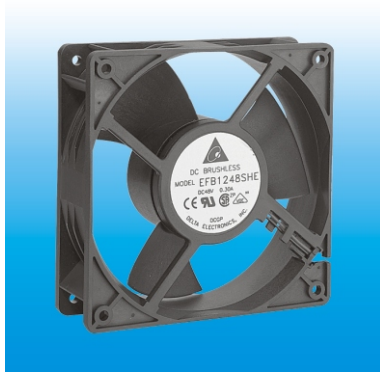


EFB 120 x 120 x 38 MM SERIES

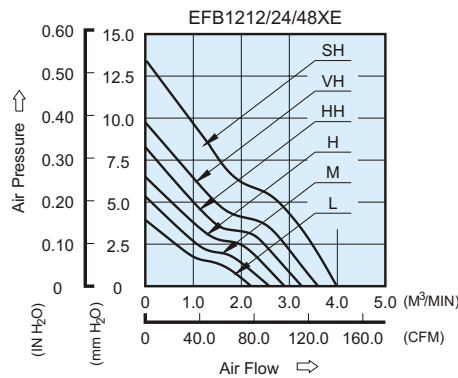
DIMENSIONS DRAWING



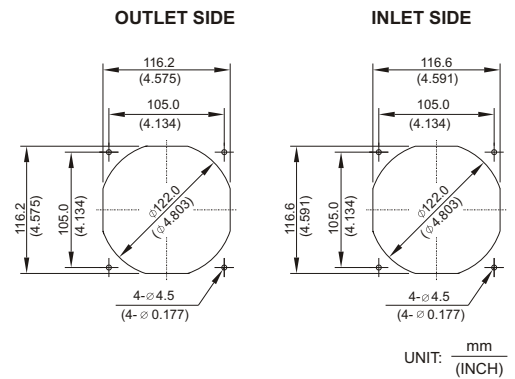
UNIT: mm (INCH)

- * Bearing Type
Ball Bearings
- * Material
Impeller & Frame : Plastic (UL 94V-0)
- * Lead Wires :
UL 1007 AWG #24 OR Equivalent
Red Wire Positive (+)
Black Wire Negative (-)
- * Weight : 290g (10.23 oz)

P & Q CURVE (AT RATED VOLTAGE)



MOUNTING PANEL CUTOUT



UNIT: mm (INCH)

MODEL		Rated Voltage	Operating Voltage Range	Rated Current	Rated Input Power	Speed	Maximum Air Flow		Maximum Air Pressure		Noise
PART NO.	FUNCTION	VDC	VDC	Amp	Watt	R.P.M.	m ³ /min	CFM	mmH ₂ O	IN H ₂ O	dB-A
EFB1212LE	-R00 / -F00	12	4.0 to 13.2	0.16	1.92	2000	2.150	75.93	4.00	0.157	34.0
EFB1224LE	-R00 / -F00	24	7.0 to 27.6	0.10	2.40						
EFB1248LE	-R00 / -F00	48	28.0 to 56.0	0.05	2.40						
EFB1212ME	-R00 / -F00	12	4.0 to 13.2	0.23	2.76	2300	2.500	88.29	5.21	0.205	38.0
EFB1224ME	-R00 / -F00	24	7.0 to 27.6	0.14	3.36						
EFB1248ME	-R00 / -F00	48	28.0 to 56.0	0.06	2.88						
EFB1212HE	-R00 / -F00	12	4.0 to 13.2	0.27	3.24	2600	2.900	102.41	6.60	0.260	41.0
EFB1224HE	-R00 / -F00	24	7.0 to 27.6	0.18	4.32						
EFB1248HE	-R00 / -F00	48	28.0 to 56.0	0.09	4.32						
EFB1212HHE	-R00 / -F00	12	4.0 to 13.2	0.39	4.68	2900	3.200	113.01	8.00	0.315	44.0
EFB1224HHE	-R00 / -F00	24	7.0 to 27.6	0.20	4.80						
EFB1248HHE	-R00 / -F00	48	28.0 to 56.0	0.12	5.76						
EFB1212VHE	-R00 / -F00	12	4.0 to 13.2	0.48	5.76	3200	3.510	123.95	9.70	0.382	47.5
EFB1224VHE	-R00 / -F00	24	7.0 to 27.6	0.27	6.48						
EFB1248VHE	-R00 / -F00	48	28.0 to 56.0	0.14	6.72						
EFB1212SHE	-R00 / -F00	12	4.0 to 13.2	0.80	9.60	3700	4.020	141.96	13.21	0.520	52.5
EFB1224SHE	-R00 / -F00	24	7.0 to 27.6	0.44	10.56						
EFB1248SHE	-R00 / -F00	48	28.0 to 56.0	0.20	9.60						

* Function type is optional.
 * The max. air flow and the speed are measured in free air ; max. air pressure is measured at zero air flow.
 * Noise is measured in anechoic chamber in free air, one meter from intake side.
 * All readings are typical values at rated voltage.
 * Specifications are subject to change without notice.