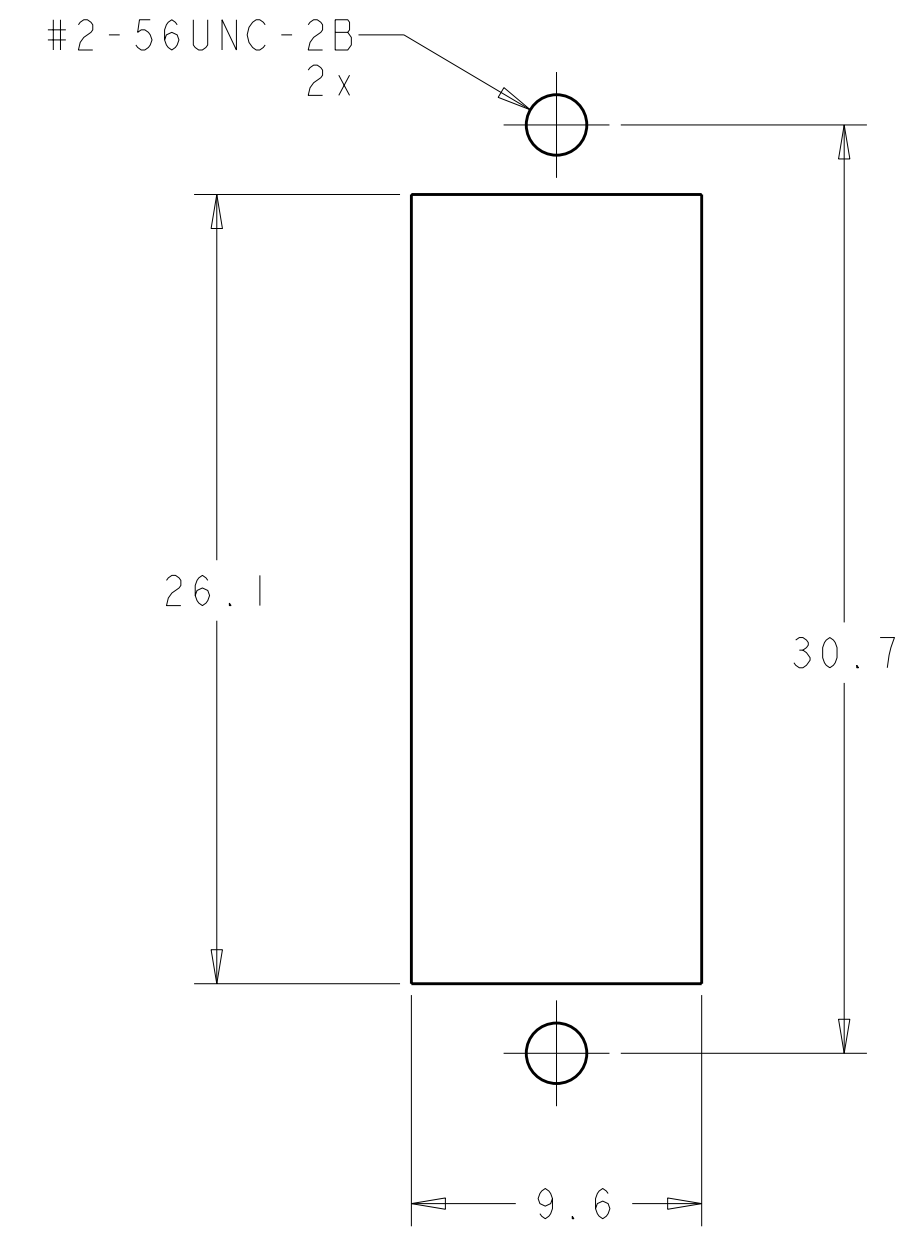
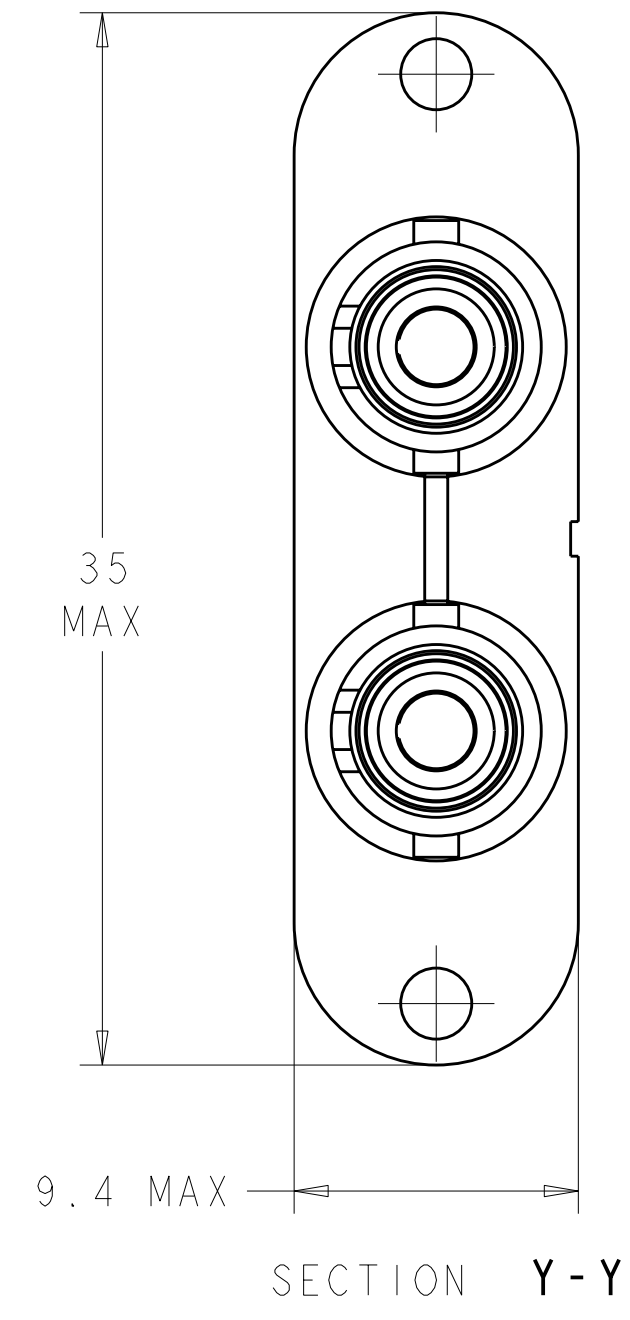
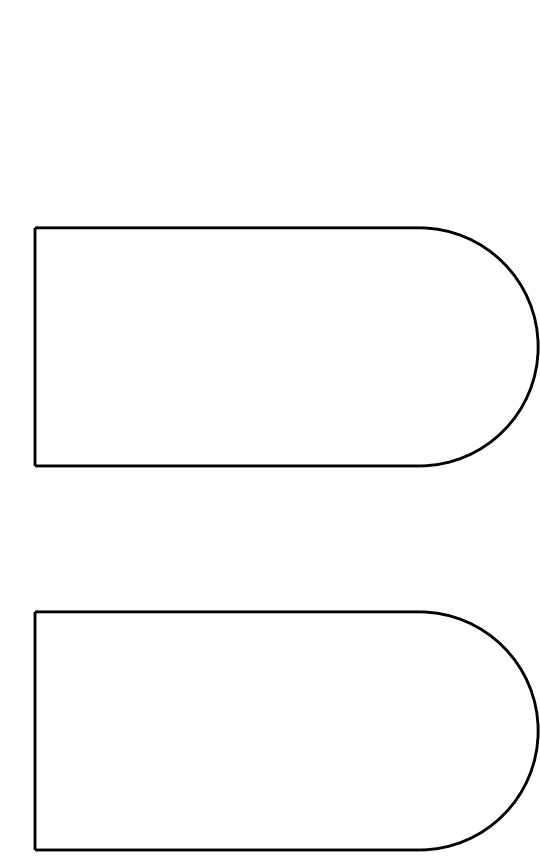
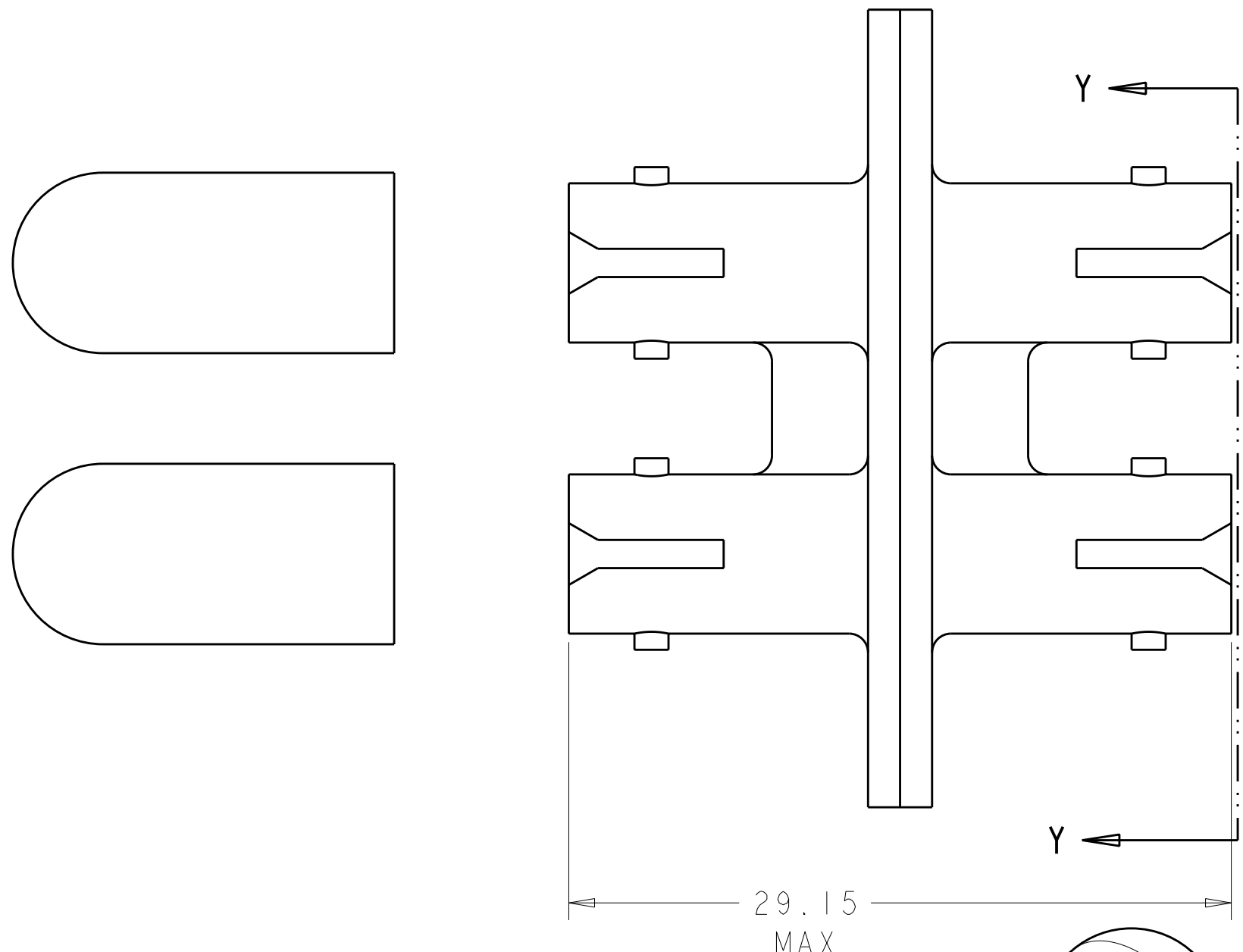


THIS DRAWING IS UNPUBLISHED. RELEASED FOR PUBLICATION 20
 © COPYRIGHT 20 ALL RIGHTS RESERVED.

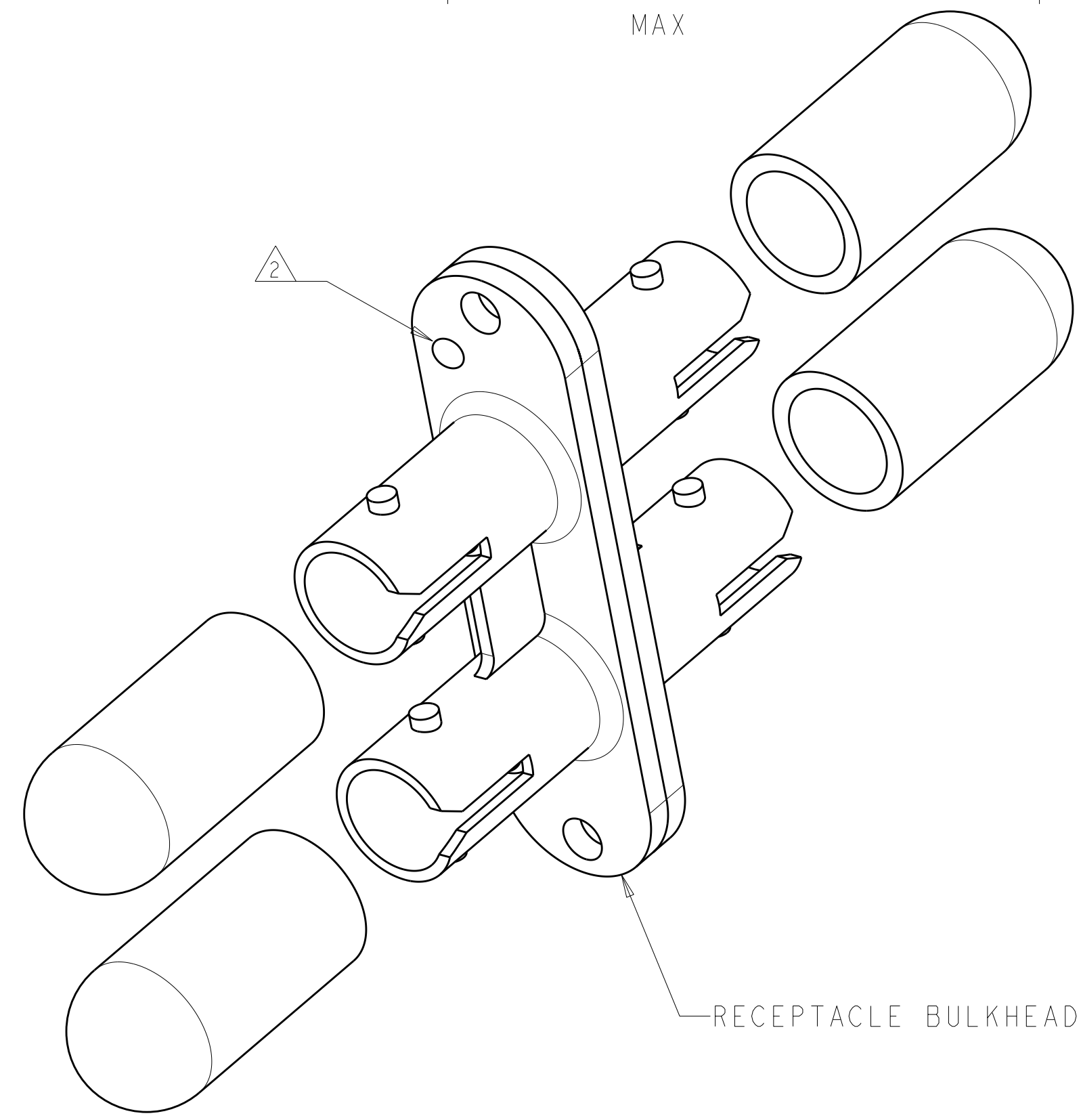
LOC	DIST	REVISIONS					
CE	00	P	LTR	DESCRIPTION	DATE	DWN	APVD
			CI	REVISED PER ECO-11-005027	16MAY2011	RK	HMR



SUGGESTED PANEL CUTOUT
 MAXIMUM PANEL THICKNESS 1.7

⚠ MATERIAL:
 PROTECTIVE CAP: VINYL
 COUPLING RECEPTACLE:
 HOUSING: PPE AND PS, UL94 V-0 RATED AT QUALIFYING THICKNESS,
 SEE DASH NUMBER FOR COLOR.
 SLEEVE: METAL

⚠ PART IDENTIFIER.



BEIGE	504662-2
LT. ALMOND	504662-1
COLOR	MATERIAL

THIS DRAWING IS A CONTROLLED DOCUMENT.		DWN B. BRIGGS 31OCT2005	STE TE Connectivity	
DIMENSIONS: mm		CHK S. BUCHTER 31OCT2005		
TOLERANCES UNLESS OTHERWISE SPECIFIED:		APVD S. BUCHTER 31OCT2005	NAME DUPLX RECEPTACLE KIT, MULTIMODE, BULKHEAD, AMP ST-ST	
0 PLC ± 1 PLC ±0.1 2 PLC ± 3 PLC ± 4 PLC ± ANGLES ± FINISH		PRODUCT SPEC -	SIZE A200779	
MATERIAL		APPLICATION SPEC -	DRAWING NO C-504662	
⚠		WEIGHT -	RESTRICTED TO -	
		CUSTOMER DRAWING	SCALE 4:1 SHEET OF 1 REV C1	