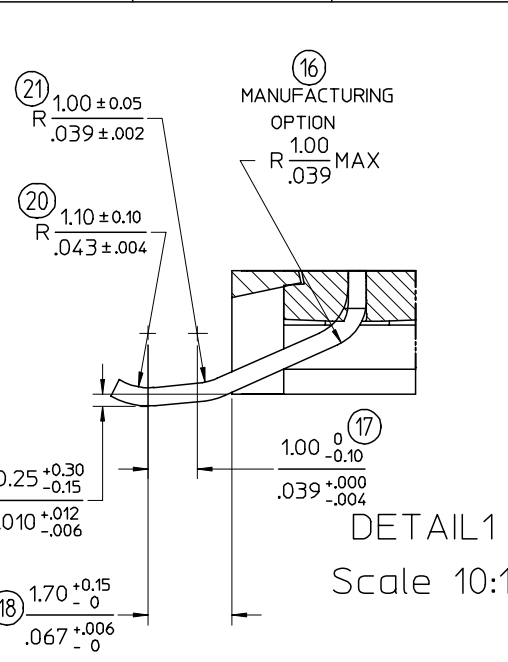
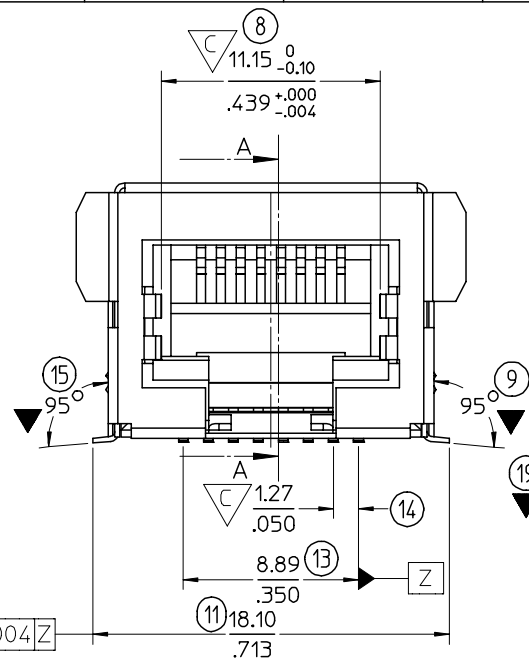
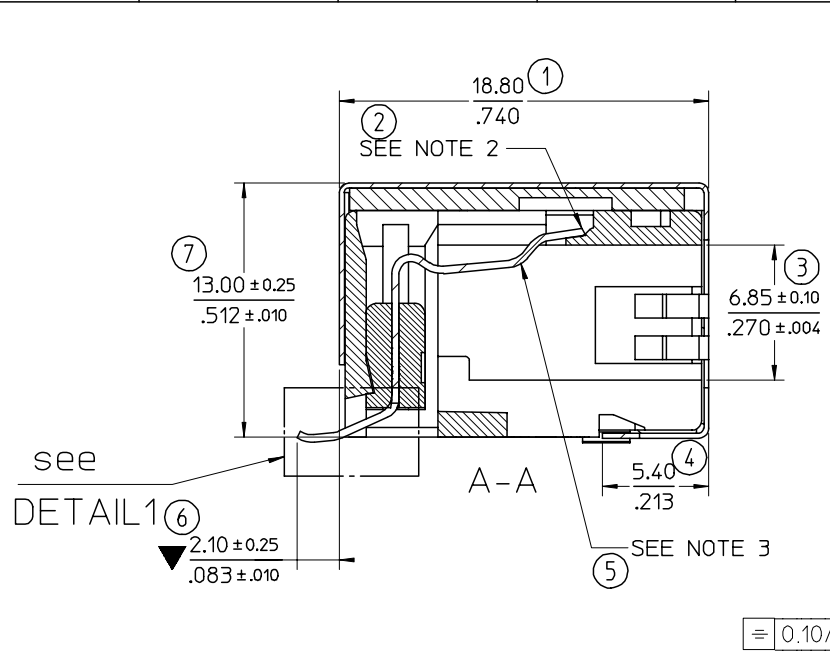


10 9 8 7 6 5 4 3 2 1

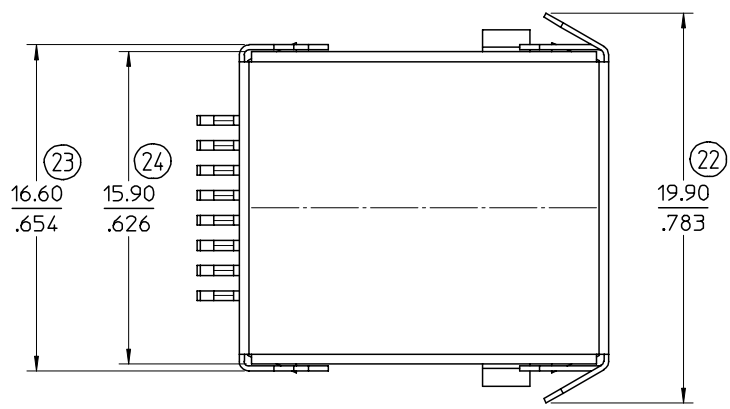
F  
E  
D  
C  
B

F  
E  
D  
C  
B



see  
DETAIL 1

DETAIL 1  
Scale 10:1



ENG No.	HOUSING SIZE	LOADED CKTS	HOUSING ENG.No.	MODULE ENG.No.	BLANK SHIELD ENG.No.	HOUSING WITH MODULE ENG.No.	PLASTIC COVER ENG.No.
95122-6884	8	8	95122-9883	95006-5189	95121-0803	95122-6803	95131-0881

- NOTES:
- MODULE AND SHIELD PUSH OUT FORCE 20 NEWTONS (4.40 lbs) MIN.
  - CUTTING BURRS NOT PERMISSABLE, TERMINALS MUST MOVE FREELY BETWEEN SEPARATING RIBS.
  - GOLD PLATING ON THIS SURFACE
  - COPLANARITY OF COLDER TAILS 0.10MAX
  - PACKAGING SPECIFICATION: PK-95122-003 (BLISTER ON REEL)

CREATED MODELS NEW DRAWING EC No: E2006-0826 DRWN:DBYRNES CHKD: APPR:EDMAMONY	DESCRIPTION 2006/04/06 2006/04/06 2006/04/11	QUALITY SYMBOLS ▽=4 ∇=3
--	---	-------------------------------

GENERAL TOLERANCES (UNLESS SPECIFIED)		DIMENSION STYLE		SCALE	DESIGN UNITS	THIRD ANGLE PROJECTION	
mm	INCH	MM/IN		4:1	METRIC		
4 PLACES	± ---	DRAWN BY DATE		TITLE FULLY SHIELDED R/A ASSY MODULAR JACK 8 CIRCUIT			
3 PLACES	± ---	FB 1998/10/01					
2 PLACES	± 0.15	CHECKED BY DATE					
1 PLACE	± 0.25	MF 1999/06/09		MOLEX INCORPORATED			
ANGULAR ± 2 °		APPROVED BY DATE					
DRAFT WHERE APPLICABLE MUST REMAIN WITHIN DIMENSIONS		MATERIAL NO.		DOCUMENT NO.		SHEET NO.	
		95122-6884		E-95122-008		1 OF 1	
THIS DRAWING CONTAINS INFORMATION THAT IS PROPRIETARY TO MOLEX INCORPORATED AND SHOULD NOT BE USED WITHOUT WRITTEN PERMISSION							

9 8 7 6 5 4 3 2 1

10 9 8 7 6 5 4 3 2 1

F

E

D

C

B

A

F

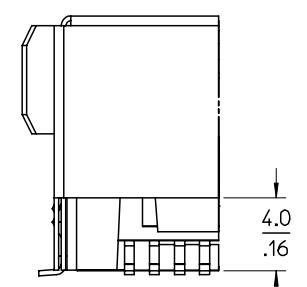
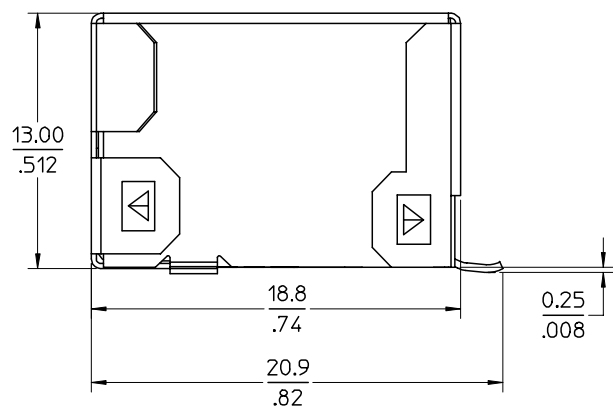
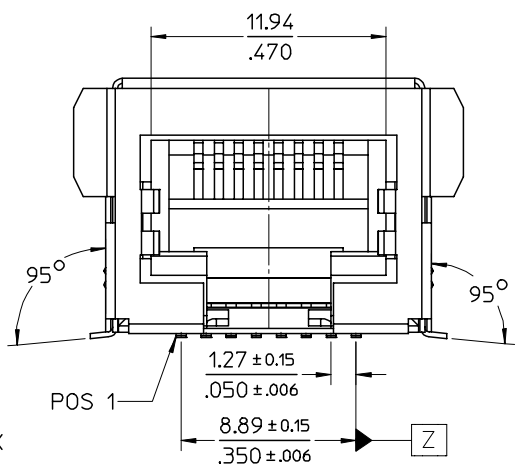
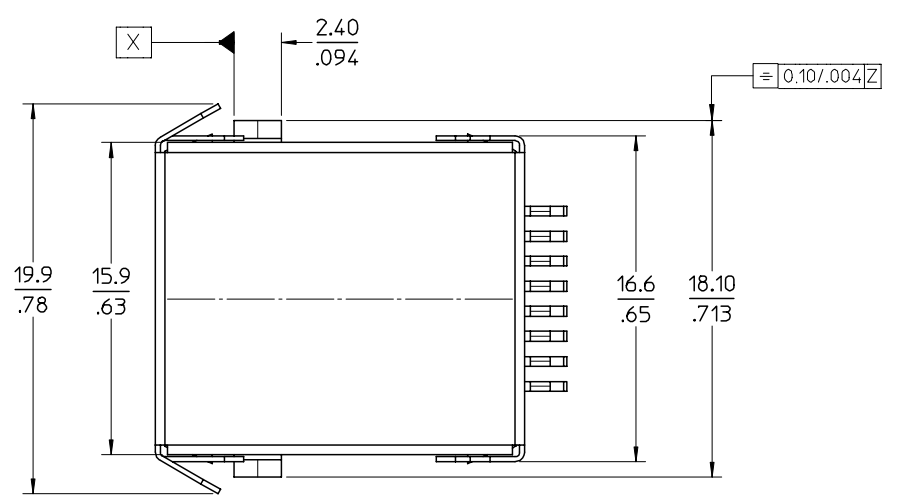
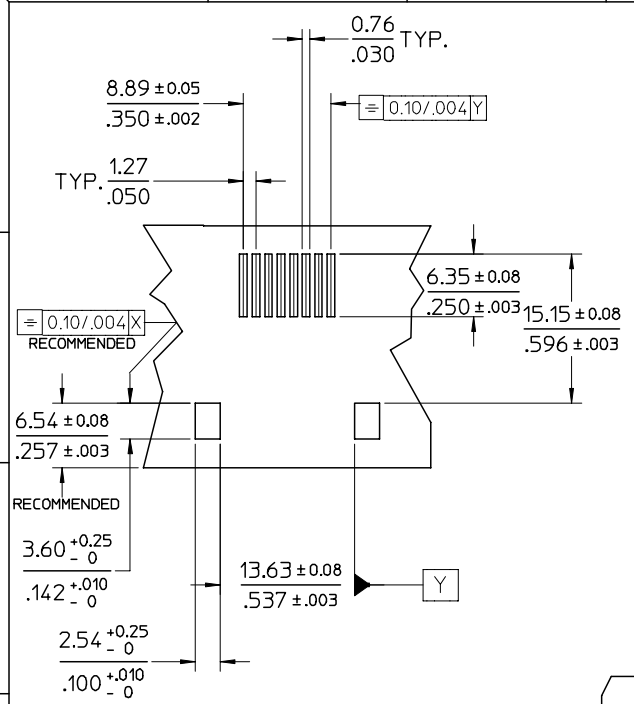
E

D

C

B

A



PARTIAL1  
Scale 4:1

**NOTES:**  
 1- JACK FOR MATING WITH SHIELDED PLUG (MOLEX 95043 AND 85568 SERIES)  
 2- PRODUCT SPECIFICATION: PS-95122  
 3- APPLICATION SPECIFICATION: AS-95001  
 4- PACKAGING SPECIFICATION: PK-95122-003 (BLISTER ON REEL)  
 5- COPLANARITY OF SIGNAL LEADS: 0.10MAX

**TECHNICAL SPECIFICATIONS:**

**MATERIAL:**  
 HOUSING: POLYAMIDE GLASS FILLED UL 94V-0 COLOUR BLACK.  
 TERMINAL: PHOSPHOR BRONZE PLATED WITH:  
 0.00127/.000050 MIN GOLD IN CONTACT AREA,  
 0.00190/.000075 MIN PURE TIN IN TAIL AREA, BOTH OVER 0.00127/.000050 MIN NICKEL OVERALL.  
 SHIELD: BRASS PLATED WITH 0.0020/.000078 MIN TIN.

NEW DRAWING	2006/04/06
EC NO: E2006-0826	2006/04/06
DRWN: OBYRNES	2006/04/06
CHKD:	2006/04/06
APPR: EOMAHONY	2006/04/11
REV	DESCRIPTION
A	

QUALITY SYMBOLS	▽=0
	∇=0

GENERAL TOLERANCES (UNLESS SPECIFIED)		
	mm	INCH
4 PLACES	± ---	± ---
3 PLACES	± ---	± .010
2 PLACES	± 0.25	± .014
1 PLACE	± 0.35	± ---
ANGULAR ± 2 °		
DRAFT WHERE APPLICABLE MUST REMAIN WITHIN DIMENSIONS		

DIMENSION STYLE	
MM/IN	
DRAWN BY	DATE
FB	1998/10/01
CHECKED BY	DATE
MF	1999/06/09
APPROVED BY	DATE
FB	1999/06/09
MATERIAL NO.	95122-6884
SIZE	A3

SCALE	4:1	DESIGN UNITS	METRIC	THIRD ANGLE PROJECTION
TITLE				
FULLY SHIELDED TRUE SMT RIGHT ANGLE MODULAR JACK 8 CIRCUIT				
MOLEX INCORPORATED				
DOCUMENT NO.			SHEET NO.	
SD-95122-006			1 OF 1	
THIS DRAWING CONTAINS INFORMATION THAT IS PROPRIETARY TO MOLEX INCORPORATED AND SHOULD NOT BE USED WITHOUT WRITTEN PERMISSION				

9 8 7 6 5 4 3 2 1