

# VS-M8MS-IP20/93B-0,5 - Network cable



1402452

<https://www.phoenixcontact.com/us/products/1402452>

Please be informed that the data shown in this PDF document is generated from our online catalog. Please find the complete data in the user documentation. Our general terms of use for downloads are valid.



Network cable, Ethernet (100 Mbps), PROFINET (100 Mbps), EtherCAT® (100 Mbps), 4-position, Plug straight M8, coding: A / IP67, on Plug straight RJ45 / IP20, cable length: 0.5 m

## Commercial data

Item number	1402452
Packing unit	1 pc
Minimum order quantity	1 pc
Sales key	BF02
Product key	BF1BJI
Catalog page	Page 322 (PC-2011)
GTIN	4046356616096
Weight per piece (including packing)	59.5 g
Weight per piece (excluding packing)	59.2 g
Customs tariff number	85444290
Country of origin	PL

# VS-M8MS-IP20/93B-0,5 - Network cable



1402452

<https://www.phoenixcontact.com/us/products/1402452>

## Technical data

### Product properties

Product type	Data cable preassembled
Sensor type	Ethernet
Number of positions	4
Application	Standard
No. of cable outlets	1
Shielded	yes

### Insulation characteristics

Overvoltage category	II
Degree of pollution	3

### Interfaces

Signal type/category	Ethernet, 100 Mbps
	PROFINET, 100 Mbps
	EtherCAT <sup>®</sup> , 100 Mbps

### Signaling

Status display	No
----------------	----

### Electrical properties

Nominal voltage $U_N$	30 V AC
	30 V DC
Nominal current $I_N$	1 A
Transmission medium	Copper
Transmission characteristics (category)	CAT5

### Material specifications

Flammability rating according to UL 94	HB
--	----

### Connector

#### Connection 1

Type	Plug straight M8 / IP67
Number of positions	4 (4)
Coding type	A (Standard)
Shielded	yes
Handle color	black
Material	CuSn (Contact)
	Ni/Au (Contact surface)
	TPU GF (Contact carriers)
	TPU, hardly inflammable, self-extinguishing (Grip)
	CuZn (nickel-plated) (Screw connection)

# VS-M8MS-IP20/93B-0,5 - Network cable



1402452

<https://www.phoenixcontact.com/us/products/1402452>

Insertion/withdrawal cycles	≥ 100
Contact resistance	≤ 5 mΩ
Insulation resistance	≥ 100 MΩ
Tightening torque	0.2 Nm
Degree of protection	IP67
Ambient temperature (operation)	-25 °C ... 90 °C
Number of positions	4
Insertion/withdrawal cycles	100


## Connection 2

Type	Plug straight RJ45 / IP20
Number of positions	4 (8)
Shielded	yes
Handle color	gray
Material	CuSn (Contact) Ni/Au (Contact surface) PC (Contact carriers) PA (Housing)
Insertion/withdrawal cycles	≥ 750
Ambient temperature (operation)	-10 °C ... 60 °C
Number of positions	4
Degree of protection	IP20

## Cable/line

Cable length	0.5 m
--------------	-------

## PROFINET PVC stranded CAT5 [93B]

Dimensional drawing	
Cable weight	67 kg/km
UL AWM Style	21694
Number of positions	4
Shielded	yes
Cable type	PROFINET PVC stranded CAT5 [93B]
Conductor structure	1x4xAWG22/7, SF/TQ
Signal runtime	5.3 ns/m
Signal speed	0.66 c
Conductor structure signal line	7x 0.25 mm
AWG signal line	22

# VS-M8MS-IP20/93B-0,5 - Network cable



1402452

<https://www.phoenixcontact.com/us/products/1402452>

Conductor cross section	4x 0.34 mm <sup>2</sup>
Wire diameter incl. insulation	1.55 mm
External cable diameter	6.5 mm ±0.2 mm
Outer sheath, material	PVC
External sheath, color	green RAL 6018
Conductor material	Tin-plated Cu litz wires
Material wire insulation	PE
Single wire, color	white, yellow, blue, orange
Thickness, outer sheath	approx. 0.9 mm
Overall twist	Star quad
Optical shield covering	85 %
Insulation resistance	≥ 500 MΩ*km
Coupling resistance	≤ 20.00 mΩ/m (at 10 MHz)
Loop resistance	≤ 120.00 Ω/km
Wave impedance	100 Ω ±15 Ω (at 100 MHz)
Nominal voltage, cable	600 V
Test voltage Core/Core	2000 V (50 Hz, 1 min.)
Test voltage Core/Shield	2000 V (50 Hz, 1 min.)
Minimum bending radius, fixed installation	3 x D
Minimum bending radius, flexible installation	7 x D
Near end crosstalk attenuation (NEXT)	80 dB (with 1 MHz)
	76 dB (at 4 MHz)
	70 dB (at 10 MHz)
	65 dB (at 16 MHz)
	63 dB (at 20 MHz)
	60 dB (at 31.25 MHz)
	55 dB (at 62.5 MHz)
	50 dB (at 100 MHz)
Shield attenuation	2.1 dB (with 1 MHz)
	4 dB (at 4 MHz)
	6.3 dB (at 10 MHz)
	8 dB (at 16 MHz)
	9 dB (at 20 MHz)
	11.4 dB (at 31.25 MHz)
	16.5 dB (at 62.5 MHz)
	21.3 dB (at 100 MHz)
Flame resistance	according to UL 1685 (CSA FT 4)
Resistance to oil	Resistant to oil to a limited extent
Other resistance	UV resistant According to UL 1581, Section 1200
Ambient temperature (operation)	-40 °C ... 70 °C (cable, fixed installation)
	-40 °C ... 70 °C (Cable, flexible installation)
Ambient temperature (installation)	-20 °C ... 60 °C

## Environmental and real-life conditions

# VS-M8MS-IP20/93B-0,5 - Network cable



1402452

<https://www.phoenixcontact.com/us/products/1402452>

## Ambient conditions

Degree of protection	IP20 (RJ45 connector)
	IP67 (M8 connectors)

## Standards and regulations

### M8

Standard designation	M8 connector
Standards/specifications	IEC 61076-2-104

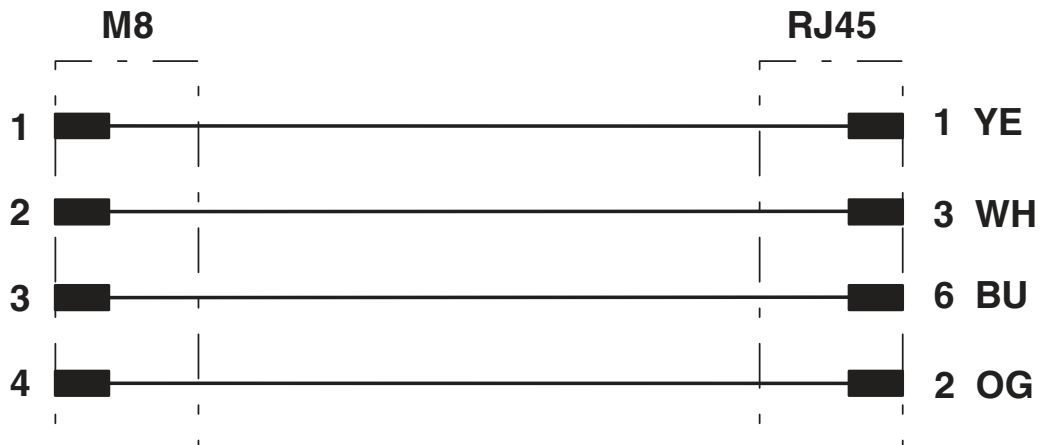
# VS-M8MS-IP20/93B-0,5 - Network cable

1402452

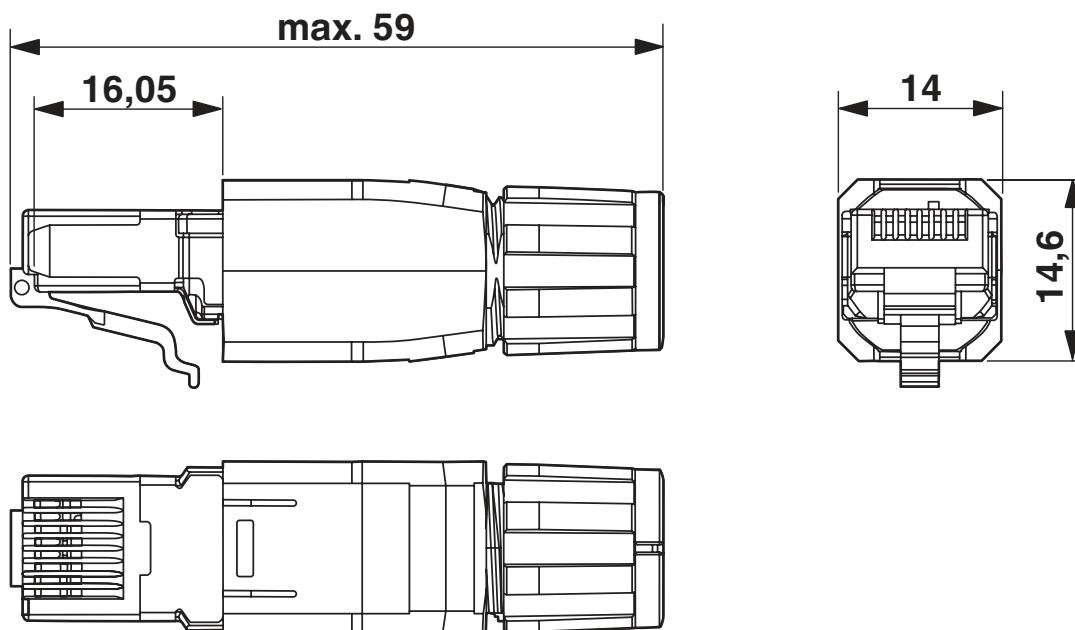
<https://www.phoenixcontact.com/us/products/1402452>

## Drawings

Circuit diagram

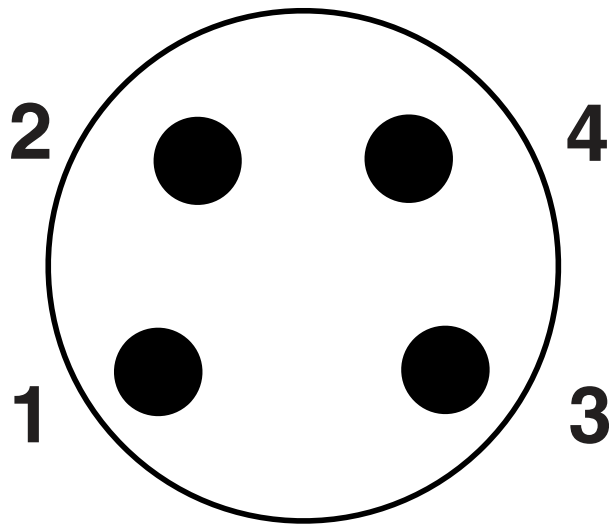


Dimensional drawing



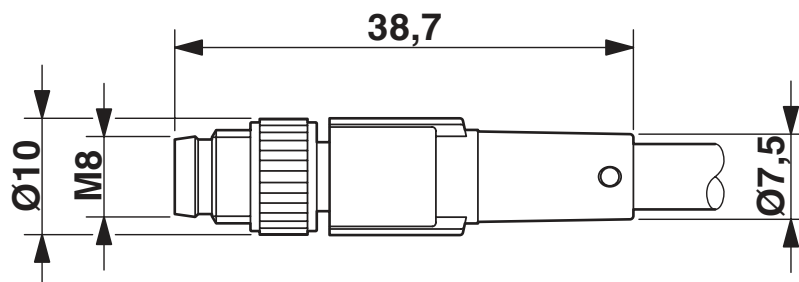
RJ45 connector, IP20

Schematic diagram



Pin assignment M8 plug, 4-pos., view male side

Dimensional drawing



M8 x 1 male plug, straight version

# VS-M8MS-IP20/93B-0,5 - Network cable



1402452

<https://www.phoenixcontact.com/us/products/1402452>

## Approvals

To download certificates, visit the product detail page: <https://www.phoenixcontact.com/us/products/1402452>



**EAC-RoHS**

Approval ID: RU D-DE.HB35.B.00385



# VS-M8MS-IP20/93B-0,5 - Network cable



1402452

<https://www.phoenixcontact.com/us/products/1402452>

## Classifications

### ECLASS

ECLASS-11.0	27060307
ECLASS-12.0	27060307
ECLASS-13.0	27060307

### ETIM

ETIM 8.0	EC001855
----------	----------

### UNSPSC

UNSPSC 21.0	26121600
-------------	----------

# VS-M8MS-IP20/93B-0,5 - Network cable



1402452

<https://www.phoenixcontact.com/us/products/1402452>

## Environmental product compliance

China RoHS	Environmentally friendly use period: unlimited = EFUP-e No hazardous substances above threshold values
------------	---

Phoenix Contact 2023 © - all rights reserved  
<https://www.phoenixcontact.com>

Phoenix Contact USA  
586 Fulling Mill Road  
Middletown, PA 17057, United States  
(+717) 944-1300  
[info@phoenixcon.com](mailto:info@phoenixcon.com)