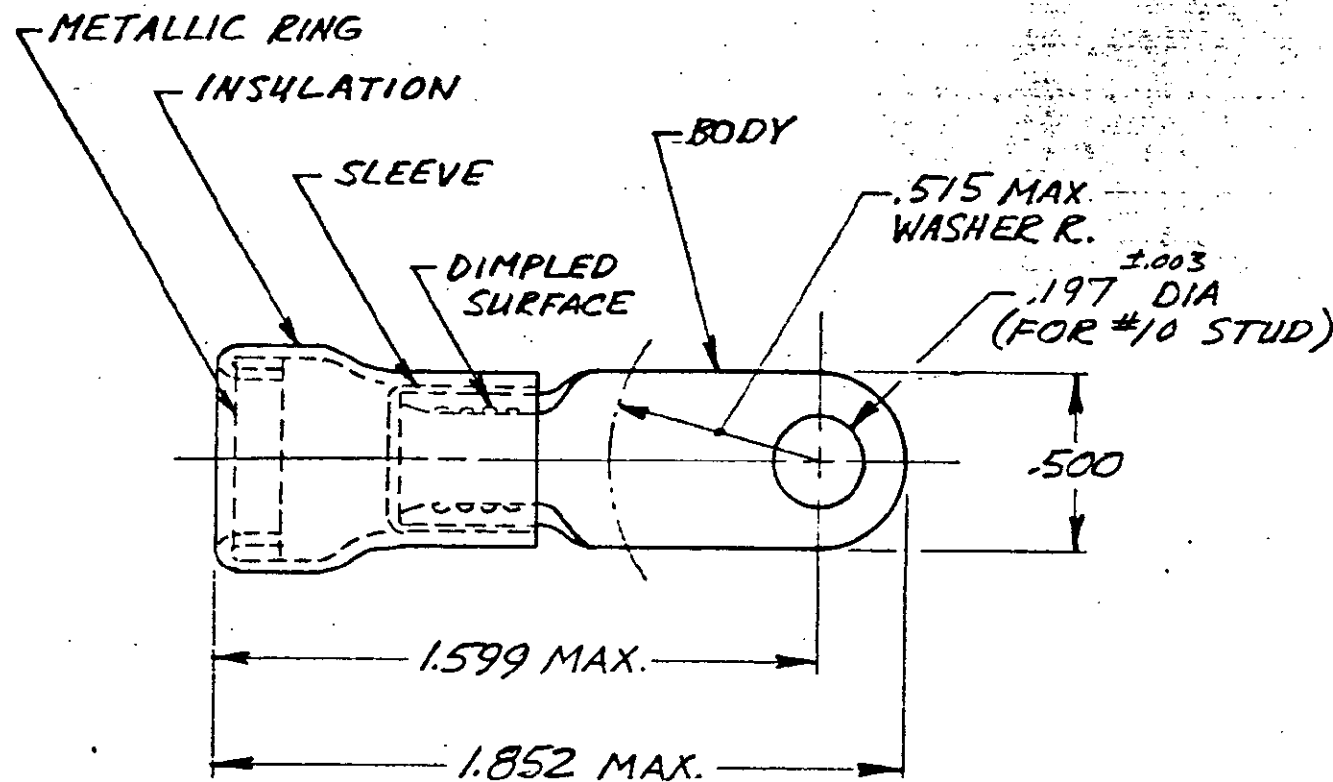



© COPYRIGHT 1953 BY AMP INCORPORATED, HARRISBURG, PA.
 ALL INTERNATIONAL RIGHTS RESERVED. AMP INCORPORATED PRODUCTS
 COVERED BY U. S. AND FOREIGN PATENTS AND/OR PATENTS PENDING.

LOC **G** DIST **14**

REVISIONS						
P	F	ZONE	LTR	DESCRIPTION	DATE	APPROVED
✓	✓		D	REDRAWN & REVISED PER BEN P-7004	10/23/70	4L74
✓	✓		E	REV. G-4680	5-6-88	JT
			F	OBS 2--1 PER 0720-0939-96	5/96	DKS DMS



FOR 377 MAX. WIRE INS. DIA.
 TONGUE MATERIAL THK. = .045 ±.003

1	WIRE TERMINAL	2-322050	BODY: COPPER (QQ-C-576) TIN PL (MIL-T-10727) INSULATION: PVC COLOR: BLUE METALLIC RING: STEEL (QQ-S-898) SLEEVE: COPPER (QQ-C-576)	322050
QTY.	DESCRIPTION	PART. No ON TAPE	MATERIALS & FINISH	PART NO
UNLESS OTHERWISE SPECIFIED DIMENSIONS ARE IN INCHES. TOLERANCES ON: DECIMALS ± .008 ANGLES ± 5°		CONTRACT NO	 AMP INCORPORATED Harrisburg, Pa.	
MATERIAL: SEE TABLE		DR: L.E. BRWIN 10/23/70	NAME: TERMINAL	
FINISH: SEE TABLE		CHK: J. H. BISHOP 10/24/70	AMPLI-BOND - RING TONGUE WIRE SIZE: 6	
		APPD	SIZE: B	CODE IDENT NO: 00779
		APPD	DRAWING NO: 322050	
		DSGN APPD: J.H. Bishop 10/24/70	SCALE: N.T.S.	SHEET: 10/1
		OTHER APPD		