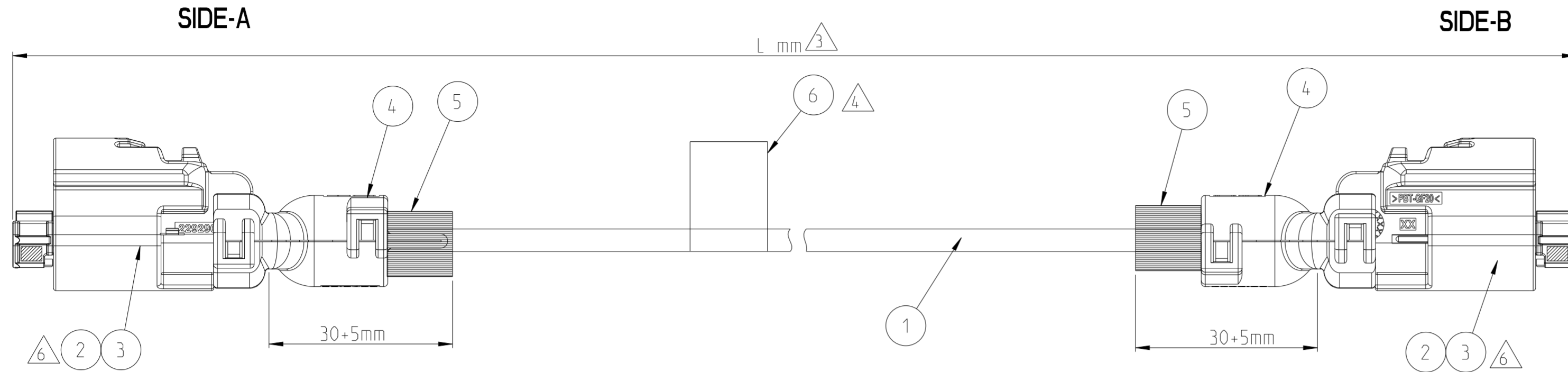


| P | LTR | DESCRIPTION | DATE | DWN | APVD |
|----|-----|-----------------|-----------|-----|------|
| A4 | | PCN E-21-002058 | 12FEB2021 | PN | GL |
| B | | ECN-23-212192 | 04MAY2023 | GB | GL |
| B1 | | ECN-23-215441 | 16MAY2023 | RK | GL |
| B2 | | PCN-23-182586 | 19JUL2023 | GB | GL |



LABLE LEGEND: 4

TE CONNECTIVITY :
TE PN : SEE TABLE
REV : SEE TABLE
YYCWD



LENGTH SCHEDULE 3 7

| TE PN | REV | ALIAS PART NO | LENGTH L (mm) | TOL (mm) |
|-----------|-----|-----------------------|---------------|----------|
| 2362353-1 | A | UTPB-ESFSA-ESFSA-500 | 500 | +20 |
| 2362353-2 | B | UTPB-ESFSA-ESFSA-100 | 1000 | +20 |
| 2362353-3 | B | UTPB-ESFSA-ESFSA-1500 | 1500 | +30 |
| 2362353-4 | B | UTPB-ESFSA-ESFSA-3000 | 3000 | +40 |
| 2362353-5 | B | UTPB-ESFSA-ESFSA-5000 | 5000 | +40 |

OBSOLETE

NOTES :

- 1 PACKAGING:
ASSEMBLY IN TE STANDARD CARTON
- 2 ELECTRICAL TEST: 100% FOR SHORT CIRCUIT ACC. TE SPECIFICATION 108-18857. STANDARD TEST 3.1.1 a,b,d AND 3.1.2 d.e.m.
- 3 LENGTH "L" ACCORDING TABLE IS FOR STRAIGHT CABLE.
- 4 LABEL PRINT SEE LABEL LEGEND
- 5 APPLICATION SPECIFICATION FOR enetSEAL 114-151045 APPLICATION SPECIFICATION FOR MCON 1.2 mm CONTACT SYSTEM 114-18464 INSTRUCTION SHEET FOR 1.2-mm MCON WIRE DRESS COVER 408-32185
- 6 RETAINER PRESENT AND CLOSED.
- 7 REFER LENGTH SCHEDULE.

WIRE COLOUR SCHEDULE

| MCON 1.2 RECEPTACLE | CAVITY# | SIDE A | SIDE B | MCON 1.2 RECEPTACLE |
|---------------------|---------|--------|--------|---------------------|
| | 1 | WHITE | WHITE | |
| | 2 | BLUE | BLUE | |

| | | |
|-----------|---|----------|
| 1 | LABEL 60 X 50 MM | 6 |
| 30±5mm | RNF-100-1/4-6-SP (SHRINKING TUBE BLUE) | 5 |
| 2 | MCON WIRE DRESS COVER, 2 POS PLUG, STRAIGHT | 4 |
| 4 | MCON 1.2 CB REC SRC Au | 3 |
| 2 | PLUG ASSEMBLY, SEALED, 2 POSITION MCON 1.2 CB | 2 |
| see table | 2 POS. CABLE, 0.5 SQMM, ETHERNET, CHAMPLAIN | 1 |
| QTY | DESCRIPTION | ITEM NO. |

| | | | |
|---|--|--|---|
| PRODUCT CHARACTERISTICS ACC. QMP EMEA_12 BESONDERE MERKMALE NACH QMP EMEA_12 | | TOLERANCING ISO 8015 TOLERIERUNG ISO 8015 | |
| DIESE ZEICHNUNG IST EIN KONTROLLIERTES DOKUMENT. BEMASSUNGEN UND TOLERANZEN GEMAESS GPS (ISO STANDARDS). | | | |
| THIS DRAWING IS A CONTROLLED DOCUMENT. | | | |
| DIMENSIONS: mm | | TOLERANCES UNLESS OTHERWISE SPECIFIED: | |
| | | 0 PLC | ± |
| | | 1 PLC | ± |
| | | 2 PLC | ± |
| | | 3 PLC | ± |
| | | 4 PLC | ± |
| | | ANGLES | ± |
| MATERIAL | | FINISH | |
| - | | - | |

| | | | |
|-----------------------------------|--|---|--|
| DWN CHANDRAKANTH 27APR2020 | | TE Connectivity | |
| CHK T. BAYRAM 27APR2020 | | NAME ENETSEAL- FEMALE TO FEMALE CABLE ASSY | |
| APVD G. LINDEMANN 27APR2020 | | SIZE A2 | |
| PRODUCT SPEC | | CAGE CODE 00779 | |
| APPLICATION SPEC | | DRAWING NO C-2362353 | |
| WEIGHT | | RESTRICTED TO | |
| CUSTOMER DRAWING | | SCALE 2:1 SHEET 1 OF 1 REV B2 | |