



2x4 RJ45 With Integrated Magnetics

AR24-4592I



- 100/1000 Base-T Gigabit
- 8 Port
- Operating Temperature Range: -40°C to + 85°C

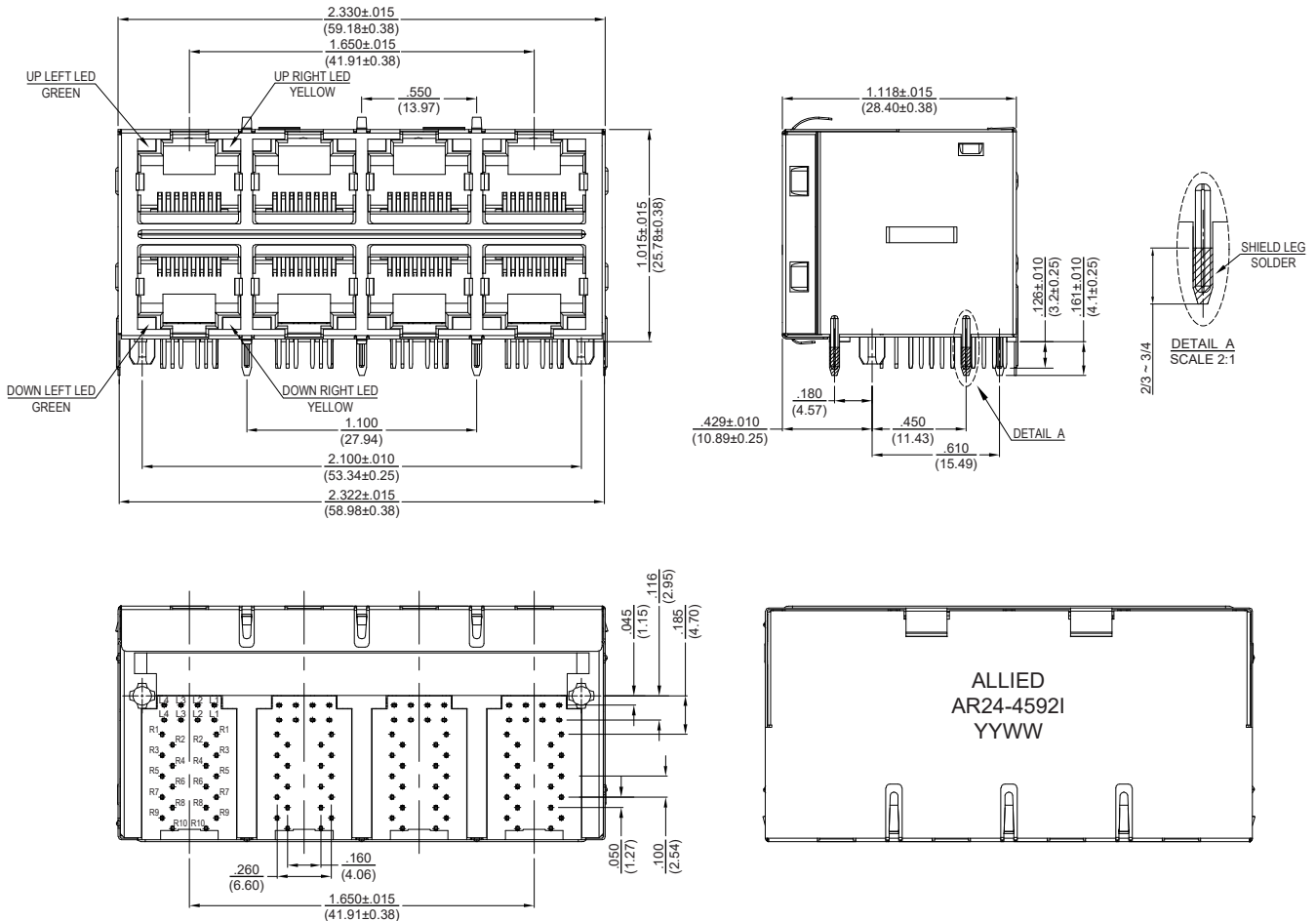
| Electrical Specifications @ 25°C | | | | |
|--|---------------------------------|----------------------------|------------|--|
| OCL(μH Min) @100KHz, 0.1V With 8mA DC Bias | Turns Ratio @100KHz (±5%) | Insertion Loss (dB Max) | | Common Mode Rejection (dB Min) 1-100 MHz |
| | | 1-100 MHz | 100-125MHz | |
| 350 | 1 : 1 | -1.0 | -1.2 | -30 |

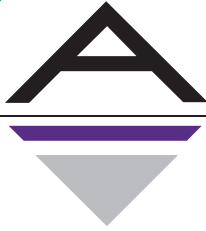
| Electrical Specifications @ 25°C | | | | | |
|----------------------------------|-------------------------|---------|----------|----------|---|
| Cross Talk (dB Min) | Return Loss (dB Min) | | | | Hi Pot Input - Output VAC / 1mA / 60S |
| | 1-100MHz | 1-30MHz | 30-60MHz | 60-80MHz | |
| -30 | -18 | -16 | -12 | -10 | 1500 |

All specifications subject to change without notice.

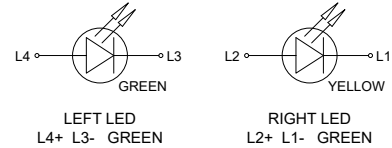
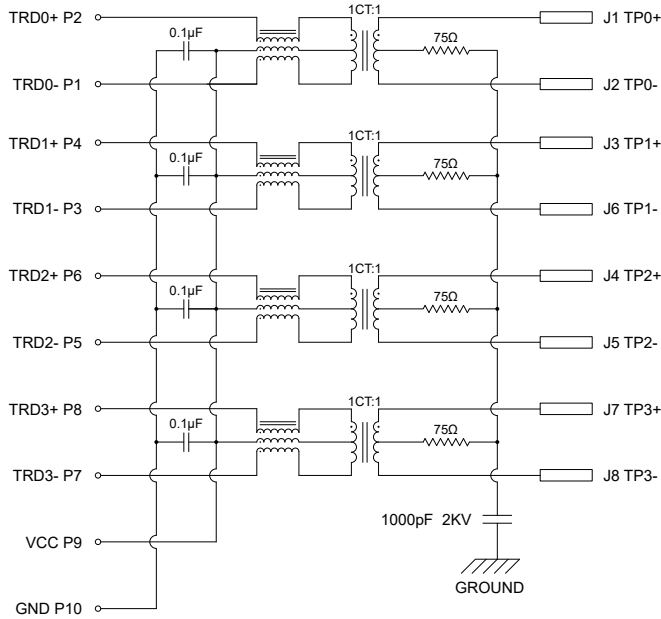
MECHANICAL

DIMENSIONS: ^{inch}
(^{mm})





SCHEMATICS

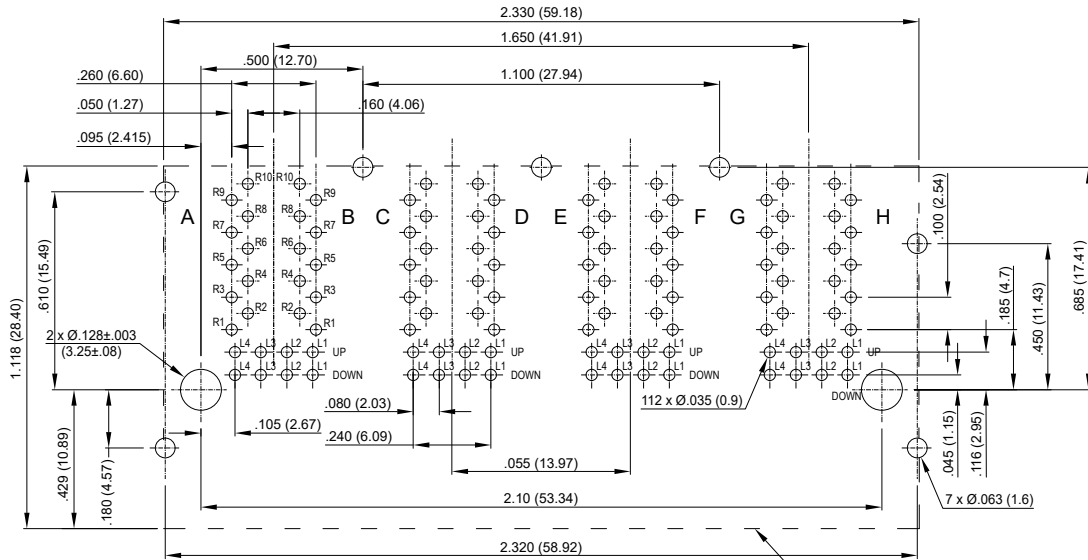


| STANDARD LED | WAVELENGTH | FORWARD VOLTAGE |
|--------------|------------|-----------------|
| GREEN | 565 nm | 2.6V Max |
| YELLOW | 585 nm | 2.6V Max |

With a forward current of 20mA

PCB LAYOUT

DIMENSIONS: inch (mm)



Unless otherwise specified, all dimensions tolerances are ±.002 (.05)

NOTES

- Front Shield:** Stainless T=0.20mm, unplating
- Back Shield:** Stainless T=0.20mm, Plating Nickel 20µ" Min
- Housing:** High Temperature Thermoplastic UL 94V-0, Color Black
- Contact Pin:** Thermoplastic UL94V-0, Color Black.
Pin: Phosphor Bronze T=0.30mm
Plating: Nickel 30µ" Min for All and Sn and Gold Plating 30µ"
- Insert Pin:** Thermoplastic UL94V-0, Color Black
Pin: Brass T=0.35mm
Plating: Sn over 30µ" Min Nickel