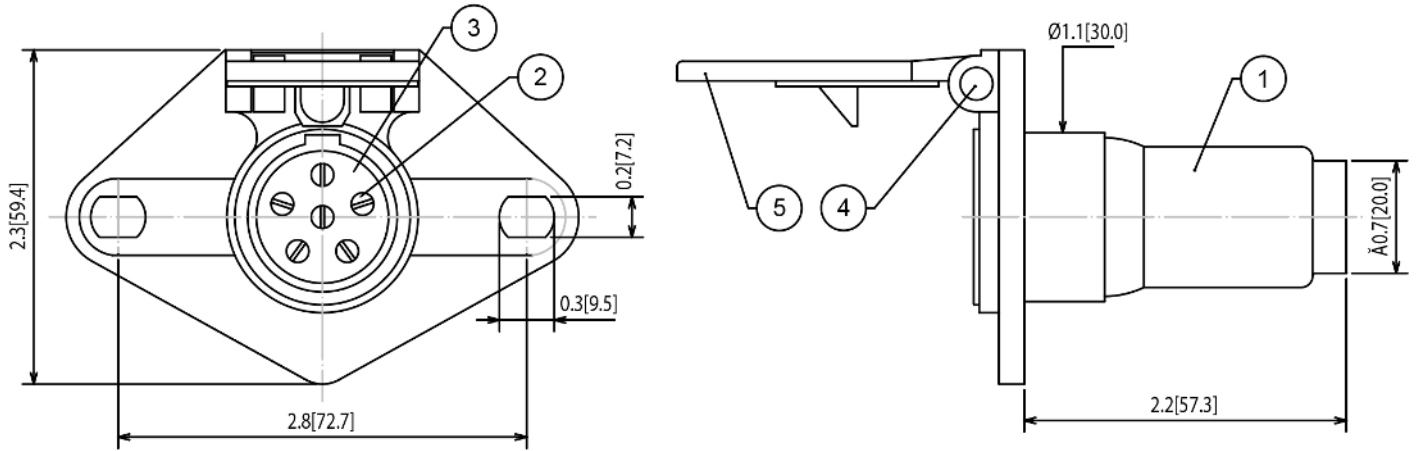


Mechanical Dimensions: Inches [mm]






Tolerances ± 0.012 [0.3] Unless Otherwise Specified



TOLERANCES:
 1mm~5mm:±0.1
 6mm~20mm:±0.2
 21mm~50mm:±0.3
 51mm~100mm:±0.5
ANGLES:±1°

Wiring Color Codes

S.A.E WIRING CODES RECOMMENDED STANDARD

CIRCUITS	POLE WIRING COLOR CODE
Ground Return	White 
Tail Lights	Brown 
Left Turn	Yellow 
Stop	Red 
Right Turn	Green 
Auxiliary Circuit	Blue 

Material Specifications

ITEM#	NAME	MATERIAL
1	SOCKET SHELL	ZINC
2	TERMINALS	BRASS
3	TERMINALS BASE	NYLON
4	HINGE PIN	IRON
5	COVER	ZINC

Rev	Date of issue	Revision Notes	Designed	Approved
A	07-16-2019	Initial Drawing	RC	OH