

# Customer Information Sheet

DRAWING No.: D840XXB-XX

SHEET 2 OF 2

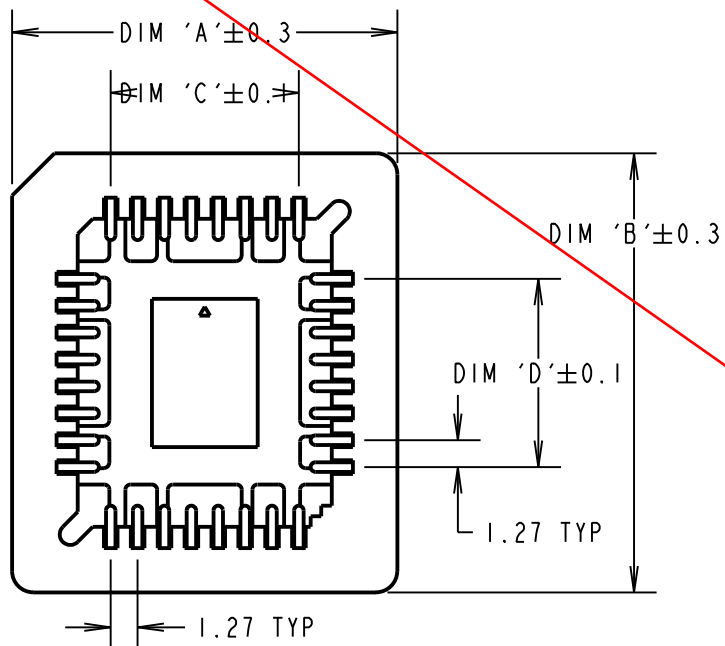
IF IN DOUBT - ASK

©

NOT TO SCALE

THIRD ANGLE PROJECTION

ALL DIMENSIONS IN mm



**SPECIFICATION:**

**MATERIAL:**

MOULDING = PPS (BROWN) UL94V-0

CONTACTS = PHOSPHOR BRONZE

**FINISH:**

46 = 100% TIN

**ELECTRICAL:**

CURRENT RATING = 1A

CONTACT RESISTANCE = 30mΩ MAX

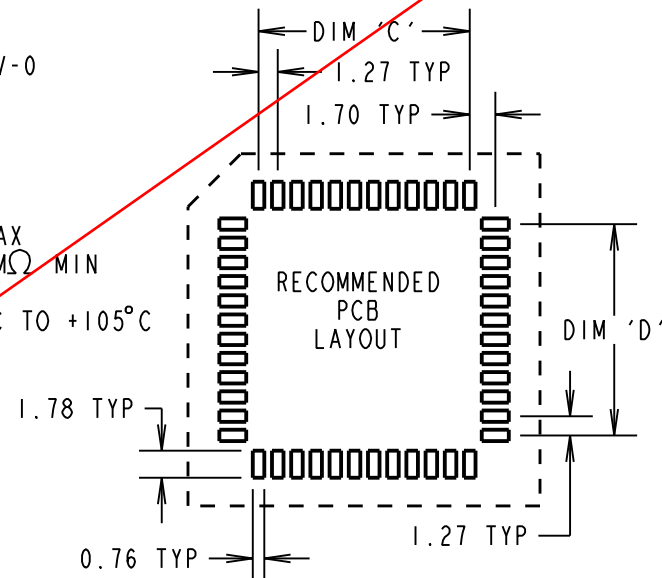
INSULATION RESISTANCE = 1000MΩ MIN

**ENVIRONMENTAL:**

OPERATING TEMPERATURE = -50°C TO +105°C

**PACKING:**

TUBE



**NOTES:**

- FOR ELECTRICAL AND MECHANICAL SPECIFICATION, SEE COMPONENT SPECIFICATION C020XX (LATEST ISSUE).
- ALL TOLERANCES ARE ±0.20 UNLESS OTHERWISE STATED.

**OBSOLETE**



No. OF CONTACTS	DIM 'A'	DIM 'B'	DIM 'C'	DIM 'D'
28	18.20	18.20	7.62	7.62
32	18.20	20.74	7.62	10.16
44	23.28	23.28	12.70	12.70
68	30.90	30.90	20.32	20.32
84	35.98	35.98	25.40	25.40

ORDER CODE:

**D840XXB-XX**

No. OF CONTACTS:  
(SEE TABLE)

FINISH:  
46 = 100% TIN

SB	6	24.05.12	11739
NAME	ISS.	DATE	C/NOTE
APPROVED: S.BENNETT			
CHECKED: M.PLESTED			
DRAWN: S.BENNETT			
CUSTOMER REF.:			
ASSEMBLY DRG:			

**HARWIN**

www.harwin.com  
technical@harwin.com

THIS DRAWING AND ANY INFORMATION OR DESCRIPTIVE MATTER SET OUT HEREON ARE CONFIDENTIAL AND COPYRIGHT PROPERTY OF THE HARWIN GROUP AND MUST NOT BE DISCLOSED, LOANED, COPIED OR USED FOR MANUFACTURING, TENDERING OR FOR ANY OTHER PURPOSE WITHOUT THEIR WRITTEN PERMISSION.

**TOLERANCES**

X. = ±1mm  
X.X = ±0.25mm  
X.XX = ±0.10mm  
X.XXX = ±0.01mm

ANGLES = ±5°  
UNLESS STATED

**MATERIAL:**

SEE ABOVE

FINISH: SEE ABOVE

S/AREA: mm<sup>2</sup>

**TITLE:**

LOW PROFILE  
PLCC SOCKET  
NON-POLARIZED

DRAWING NUMBER:

**D840XXB-XX**

SHT  
2  
OF  
2