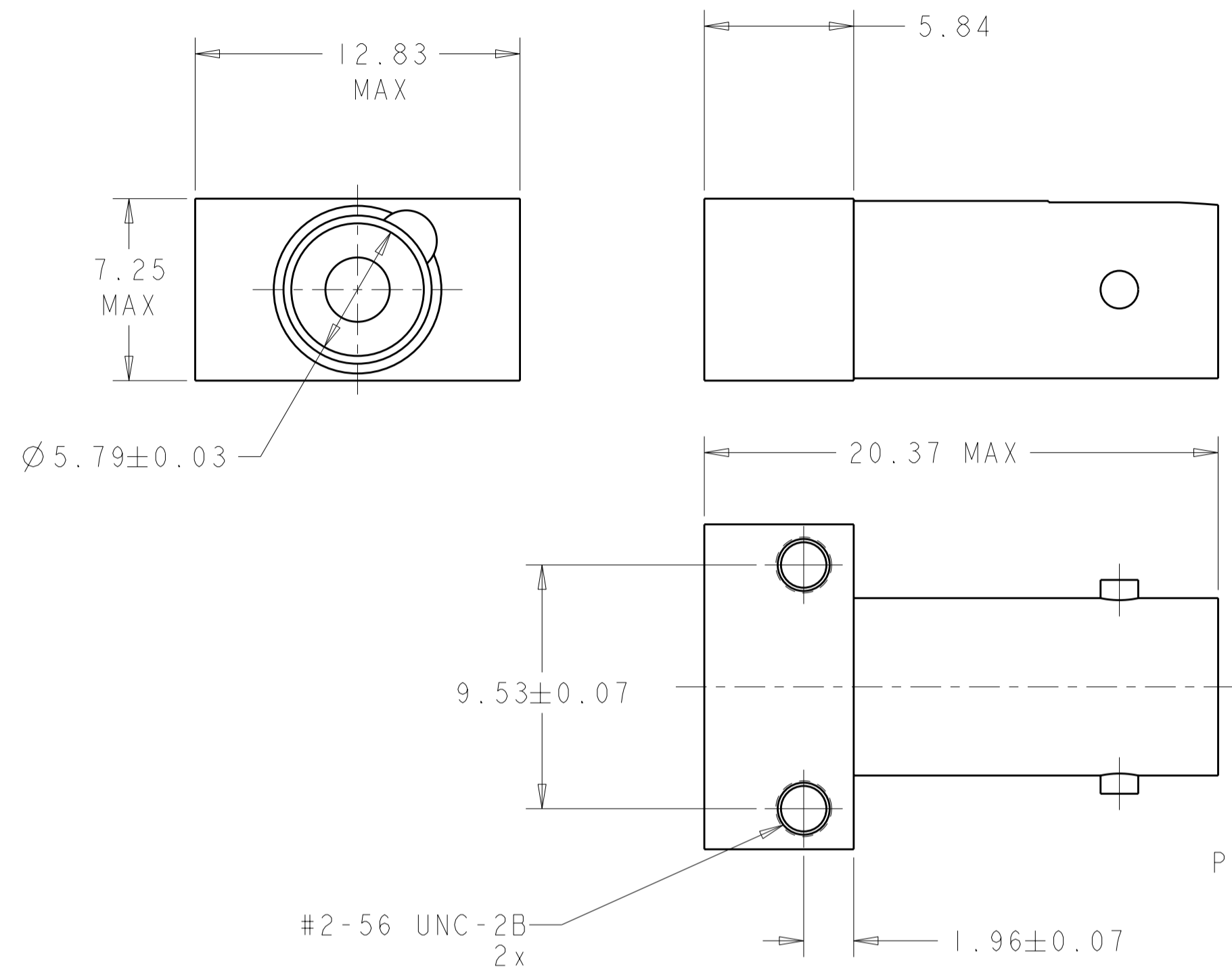


THIS DRAWING IS UNPUBLISHED. RELEASED FOR PUBLICATION 20
 © COPYRIGHT 20 BY TYCO ELECTRONICS CORPORATION. ALL RIGHTS RESERVED.

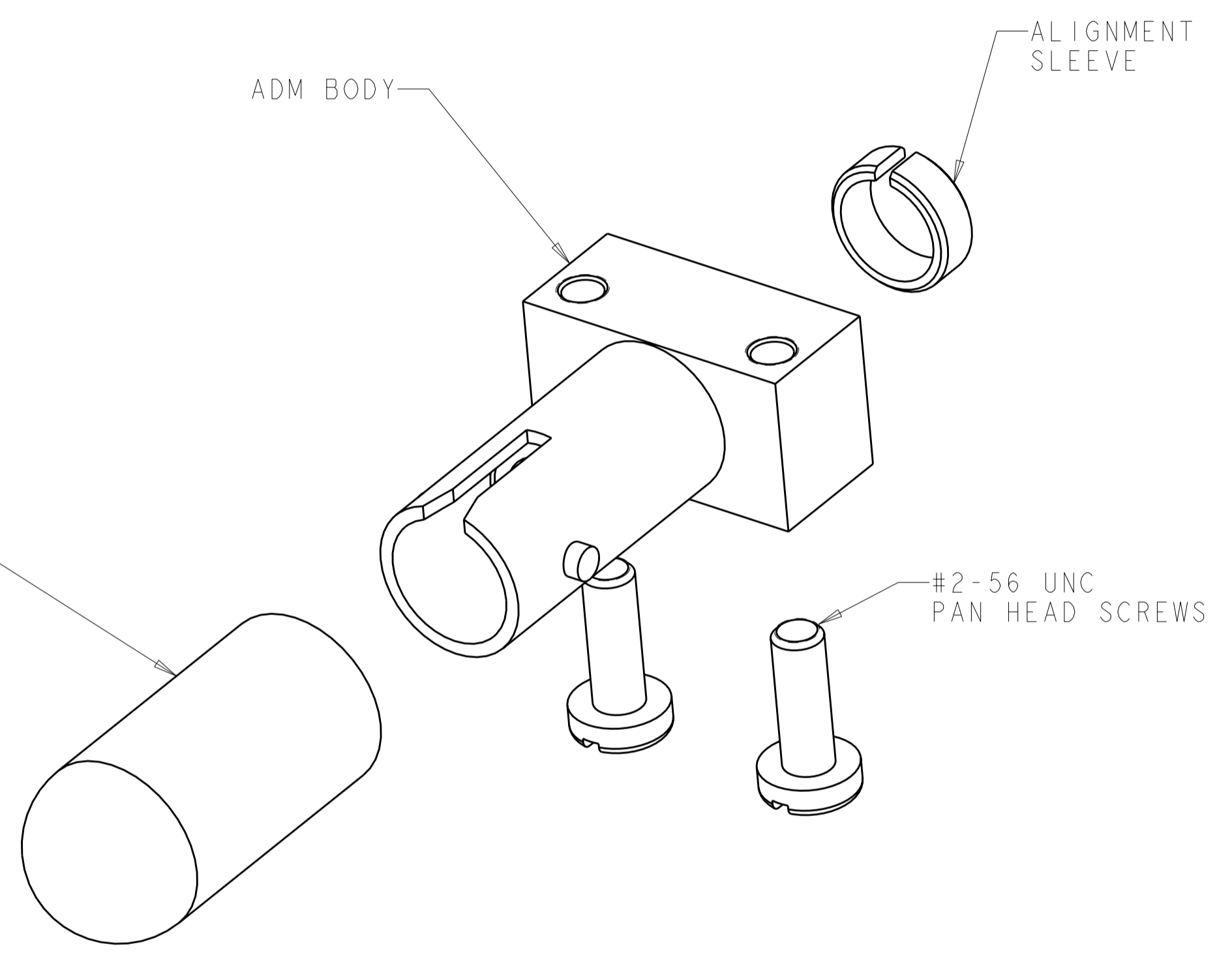
| LOC | DIST | REVISIONS | | | |
|-----|------|-------------|-------------------|-----------|-------|
| P | LTR | DESCRIPTION | DATE | DWN | APVD |
| CE | 00 | A | RELEASE TO ACTIVE | 09JUN2006 | BB SB |



ACTIVE DEVICE MOUNT BODY

1. ACCEPTS ACTIVE DEVICES: TO-52, TO-18, TO-46 OR LOW COST HONEYWELL SWEETSPOT.

△ MATERIAL:
 PROTECTIVE CAP: PVC, COLOR: RED, NON-FR.
 ADM BODY: NICKEL PLATED ZINC
 ALIGNMENT SLEEVE: PBT, COLOR: BLACK, UL94 V-0 RATED AT QUALIFYING THICKNESS



5502585-2
 PART NUMBER

| | | | | |
|---|--|---|--|-------------------------|
| THIS DRAWING IS A CONTROLLED DOCUMENT FOR TYCO ELECTRONICS CORPORATION. IT IS SUBJECT TO CHANGE AND THE CONTROLLING ENGINEERING ORGANIZATION SHOULD BE CONTACTED FOR THE LATEST REVISION. | | DWN B. BRIGGS 14OCT2005 | tyco Electronics Tyco Electronics Harrisburg, PA 17105-3608 | |
| DIMENSIONS: mm | | CHK S. BUCHTER 14OCT2005 | NAME ACTIVE DEVICE MOUNT KIT, 2.5mm BAYONET | |
| TOLERANCES UNLESS OTHERWISE SPECIFIED: 0 PLC ± 1 PLC ± 2 PLC ±0.13 3 PLC ± 4 PLC ± ANGLES ± FINISH | | APVD S. BUCHTER 14OCT2005 | RESTRICTED TO | |
| MATERIAL △ - | | PRODUCT SPEC - APPLICATION SPEC - WEIGHT - | SIZE A200779 | DRAWING NO C-5502585 |
| CUSTOMER DRAWING | | SCALE 5:1 | | SHEET 1 OF 1 REV A |