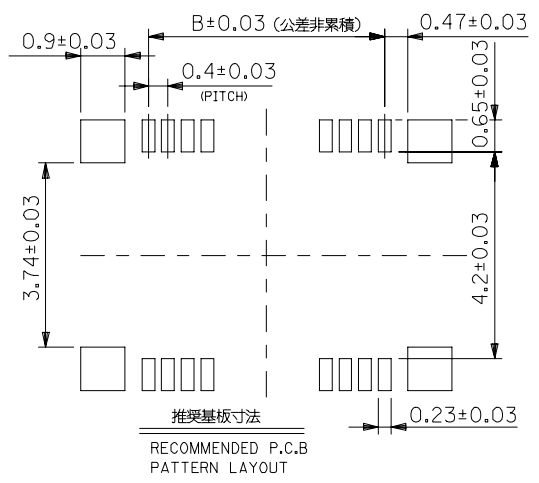
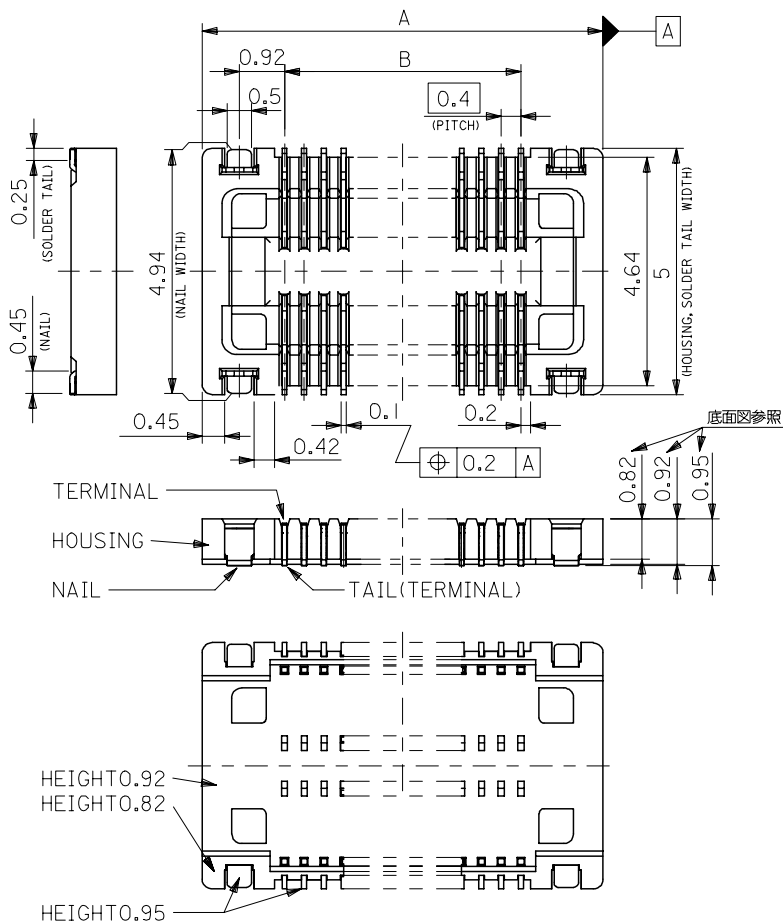


注記  
NOTES

- 材質 MATERIAL  
ハウジング : 液晶ポリマー-UL94V-0  
HOUSING : LIQUID CRYSTAL POLYMER [LCP] UL94V-0  
ターミナル : 銅合金  
TERMINAL : COPPER ALLOY  
ネール : 銅合金  
NAIL : COPPER ALLOY
- メッキ仕様 PLATING  
接点部 : 金メッキ 0.1 μm MIN.  
CONTACT AREA : GOLD PLATING 0.1 μm MIN.  
半田付け部 : 金メッキ 0.1 μm MIN.  
SOLDER TAIL AREA : GOLD PLATING 0.1 μm MIN.  
下地メッキ : ニッケルメッキ 1.0 μm MIN.  
UNDER PLATING : NICKEL PLATING 1.0 μm MIN.  
ネール : 錫メッキ 1.0 μm MIN.  
NAIL : TIN PLATING 1.0 μm MIN.  
下地メッキ : ニッケルメッキ 1.0 μm MIN.  
UNDER PLATING : NICKEL PLATING 1.0 μm MIN.
- テール及びネールの平坦度は 0.1 以下  
TAIL AND NAIL COPLANARITY : 0.1 MAX.
- 嵌合相手 : 500027 シリーズ  
MATE WITH : 500027 SERIES



15.74	12.4	500024-6469	64
10.94	7.6	500024-4069	40
9.74	6.4	500024-3469	34
8.94	5.6	500024-3069	30
7.74	4.4	500024-2469	24
6.14	2.8	500024-1669	16
A	B	MATERIAL No.	CIRCUIT
500024-***69		MODEL NO.	

REVISED EC NO: J2006-0812 DRWN: A0YAGI 2005/09/14 CHKD: MTANAKA 2005/09/14 APPR: NUKITA 2005/09/26	GENERAL TOLERANCES (UNLESS SPECIFIED)		DIMENSION STYLE MM ONLY		SCALE ---	DESIGN UNITS METRIC	THIRD ANGLE PROJECTION
	10 UNDER	±0.2	DRAWN BY TASAKAWA	DATE 2004/06/22	TITLE 0.4 B/B CONN. REC ASSY FOR CHECKER -LEAD FREE-		
	10 OVER 30 UNDER	±0.25	CHECKED BY THIRATA	DATE 2004/06/22	MOLEX MOLEX INCORPORATED		
	30 OVER	±0.3	APPROVED BY MSASAO	DATE 2004/06/22	DOCUMENT NO. SD-500024-024		
	ANGULAR ±3 °	DRAFT WHERE APPLICABLE MUST REMAIN WITHIN DIMENSIONS		MATERIAL NO. 500024-***69	SHEET NO. 1 OF 2		
B	REV	SIZE A3 THIS DRAWING CONTAINS INFORMATION THAT IS PROPRIETARY TO MOLEX INCORPORATED AND SHOULD NOT BE USED WITHOUT WRITTEN PERMISSION					

10 9 8 7 6 5 4 3 2 1

F

F

E

E

D

D

C

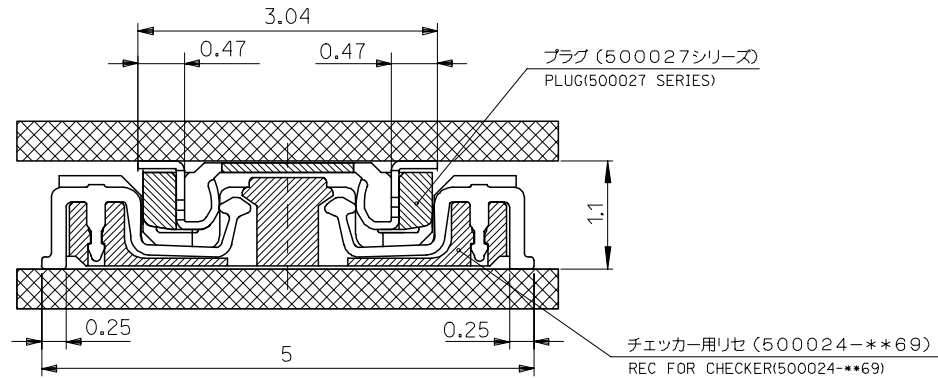
C

B

B

A

A



嵌合断面図 (参考)  
MATED DRAWING

500024-\*\*\*69 MODEL NO.

REVISED EC NO: J2006-0812 DRWN: AYOYAGI 2005/09/14 CHKD: TANAKA 2005/09/14 APPR: NUKITA 2005/09/26 REV B	GENERAL TOLERANCES (UNLESS SPECIFIED)		DIMENSION STYLE MM ONLY		SCALE ---	DESIGN UNITS METRIC	THIRD ANGLE PROJECTION	
	10 UNDER	±0.2	DRAWN BY TASAKAWA		DATE 2004/06/22		TITLE 0.4 B/B CONN. REC ASSY FOR CHECKER -LEAD FREE-	
	10 OVER 30 UNDER	±0.25	CHECKED BY THIRATA		DATE 2004/06/22		APPROVED BY MOLEX INCORPORATED	
	30 OVER	±0.3	APPROVED BY MSASAO		DATE 2004/06/22		DOCUMENT NO. SD-500024-024	
	ANGULAR	±3 °	MATERIAL NO. 500024-***69		DATE		SHEET NO. 2 OF 2	
DRAFT WHERE APPLICABLE MUST REMAIN WITHIN DIMENSIONS		THIS DRAWING CONTAINS INFORMATION THAT IS PROPRIETARY TO MOLEX INCORPORATED AND SHOULD NOT BE USED WITHOUT WRITTEN PERMISSION						

9

8

7

6

5

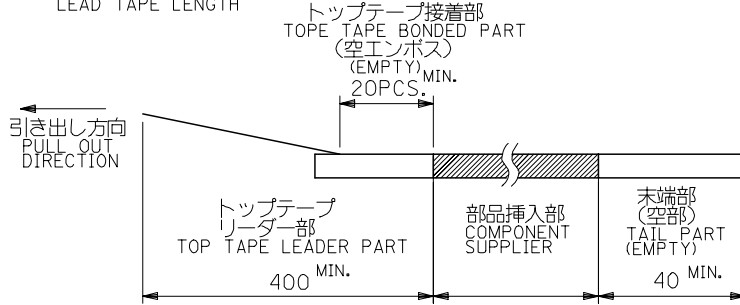
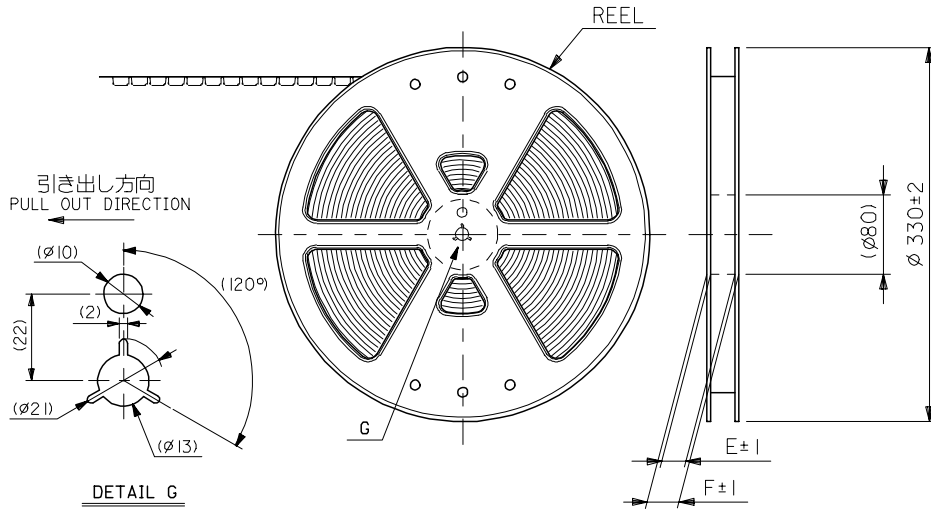
4

3

2

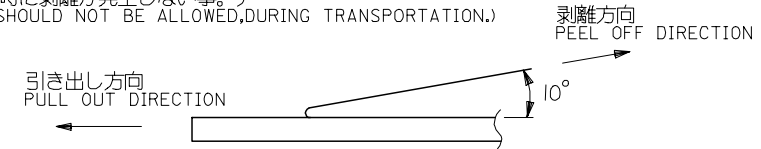
注)  
NOTES

1. 製品番号 500024-\*\*\*69 詳細寸法については、製品単体図面を参照下さい。  
IN THE PACKAGE PART NUMBER 500024-\*\*\*69 DETAILED DIMENSIONS, SEE SALES DRAWING FOR CONNECTOR.
2. 梱包数量：2000個/リール  
NUMBER OF CONNECTORS : 2000 PCS/REEL.
3. リードテープ長さ  
LEAD TAPE LENGTH



4. トップテープの剥離強度：(剥離方向は下図参照)  
PEELING OFF FORCE OF TOP TAPE (PELLING DIRECTION AS SHOWN IN FOLLOWING FIGURE.)  
0. 1~1. 3N {10~130gf}

尚、本規格値は、出荷時に適用。  
THIS REQUIREMENT SHOULD BE APPLIED AT SHIPMENT.  
(但し、輸送時に剥離が発生しない事。)  
(PEEL OFF SHOULD NOT BE ALLOWED, DURING TRANSPORTATION.)



5. 材料  
MATERIAL  
キャリアテープ：ポリプロピレン (PP)  
CARRIER TAPE: POLYPROPYLENE (PP)  
トップテープ：PET, PE, PEF  
TOP TAPE: PET, PE, PEF  
リール：ポリスチレン  
REEL : POLYSTYRENE

500024-\*\*\*61 | MODEL NO.

REVISED EC NO: J2006-0812 DRWN: A0YAGI 2005/09/14 CHKD: TANAKA 2005/09/14 APPR: NUKITA 2005/09/26	GENERAL TOLERANCES (UNLESS SPECIFIED)		DIMENSION STYLE MM ONLY		SCALE ---	DESIGN UNITS METRIC	THIRD ANGLE PROJECTION	
	10 UNDER	±0.2	DRAWN BY T. ASAKAWA	DATE 2004/06/22	TITLE EMBOSSSED TAPE FOR 500024-***69 -LEAD FREE-			
	10 OVER 30 UNDER	±0.25	CHECKED BY T. HIRATA	DATE 2004/06/22	MOLEX INCORPORATED			
	30 OVER	±0.3	APPROVED BY M. SASAO	DATE 2004/06/22	DOCUMENT NO. SD-500024-025		SHEET NO. 1 OF 2	
	ANGULAR	±3 °	MATERIAL NO. SEE CHART					
DRAFT WHERE APPLICABLE MUST REMAIN WITHIN DIMENSIONS		SIZE A3		THIS DRAWING CONTAINS INFORMATION THAT IS PROPRIETARY TO MOLEX INCORPORATED AND SHOULD NOT BE USED WITHOUT WRITTEN PERMISSION				

10 9 8 7 6 5 4 3 2 1

F

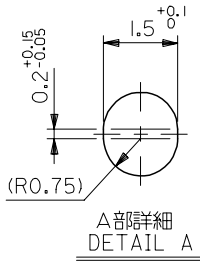
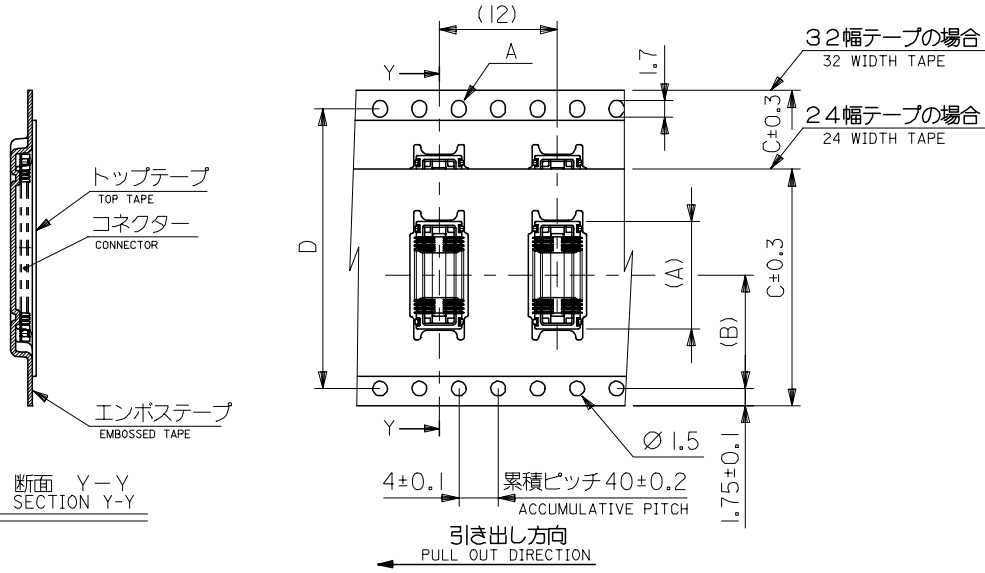
E

D

C

B

A



18.94	14.2	32	28.4	33.4	37.4	500024-6469	500024-6461	64
10.94						500024-4069	500024-4061	40
9.74						500024-3469	500024-3461	34
8.94	11.5	24	#	25.4	29.4	500024-3069	500024-3061	30
7.74						500024-2469	500024-2461	24
6.14						500024-1669	500024-1661	16
(A)	(B)	C	D	E	F	CONNECTOR	MATERIAL No.	CIRCUIT

REVISED EC NO: J2006-0812 DRWN: AYOYAGI 2005/09/14 CHKD: TANAKA 2005/09/14 APPR: NUKITA 2005/09/26	GENERAL TOLERANCES (UNLESS SPECIFIED)		DIMENSION STYLE MM ONLY		SCALE ---	DESIGN UNITS METRIC	THIRD ANGLE PROJECTION	
	10 UNDER	±0.2	DRAWN BY T. ASAKAWA		DATE 2004/06/22		TITLE EMBOSSSED TAPE FOR 500024-***69 -LEAD FREE-	
	10 OVER 30 UNDER	±0.25	CHECKED BY T. HIRATA		DATE 2004/06/22		MOLEX INCORPORATED	
	30 OVER	±0.3	APPROVED BY M. SASAO		DATE 2004/06/22		DOCUMENT NO. SD-500024-025	
	ANGULAR	±3 °	MATERIAL NO.		SEE CHART		SHEET NO. 2 OF 2	
REV	DRAFT WHERE APPLICABLE MUST REMAIN WITHIN DIMENSIONS		SIZE A3		THIS DRAWING CONTAINS INFORMATION THAT IS PROPRIETARY TO MOLEX INCORPORATED AND SHOULD NOT BE USED WITHOUT WRITTEN PERMISSION			