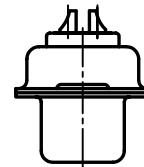
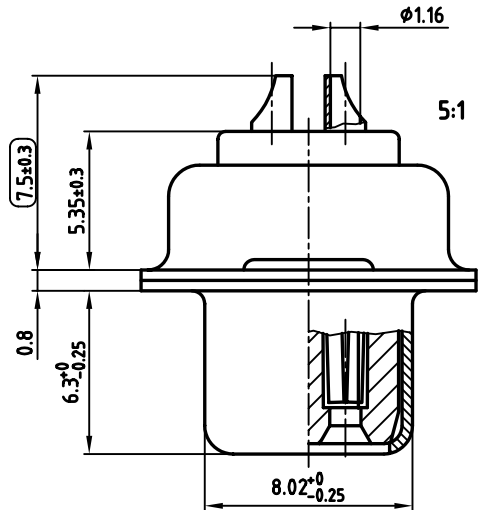
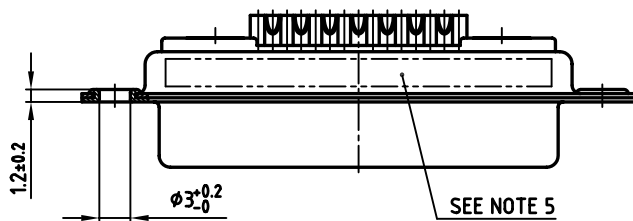
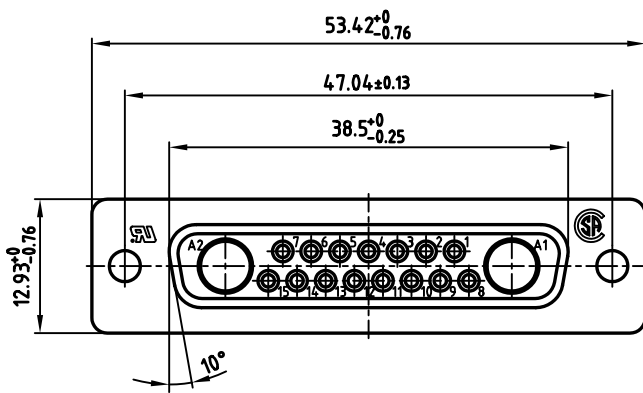


used for: D-SUB COMBINATION



**NOTES:**

1. METAL SHELLS: STEEL; min. 320µ" TIN
2. INSULATORS: PBT GF UL 94 V-0, GREEN
3. SIGNAL CONTACTS: COPPER ALLOY  
PLATING: 8µ" HARD GOLD OVER min. 50µ" NICKEL  
SOLDER CUP ACCEPTS CABLE AWG 20
4. NO CONTACTS ON POS. A1 - A2
5. CONNECTOR IS PART MARKED: 3017W2SAM99A10X CONEC ABC
6. = CHECK DIMENSION

Directive 2002/95/EC  
RoHS-  
Compliant

APPROVAL # FREIGABE # DEBLOCAGE # AUTORIZACION # APPROVAL	
CUSTOMER APPROVAL DATE:	
NAME:	TITLE:
COMPANY NAME:	
APPROVAL # FREIGABE # DEBLOCAGE # AUTORIZACION # APPROVAL	

THIS DRAWING MAY NOT BE COPIED OR REPRODUCED IN ANY WAY, AND MAY NOT BE PASSED ON TO A THIRD PARTY, WITHOUT WRITTEN PERMISSION.  
OWNERSHIP AND COPYRIGHT OF CONEC GmbH  
**DO NOT ALTER CAD DRAWING BY HAND**

rev.	description	date	name

tolerance		 dim. in mm	scale: 2:1 (5:1)
material: SEE NOTES			material: SEE NOTES
2005	date	name	<b>D-SUB COMBINATION FEMALE</b> 17W2S SOLDER CUP
drawn	23.08.	Lehmenkühler	
appd.	23.08.	Mickenbecker	
norm			
d-old			dwg no: AutoCAD 2004
<b>CONEC</b>			DIN-A 3
part no: 3017W2SAM99A10X			sh: 1/1

title:		dwg no: AutoCAD 2004	DIN-A
<b>D-SUB COMBINATION FEMALE</b> 17W2S SOLDER CUP		3	
		sh: 1/1	
part no: 3017W2SAM99A10X			