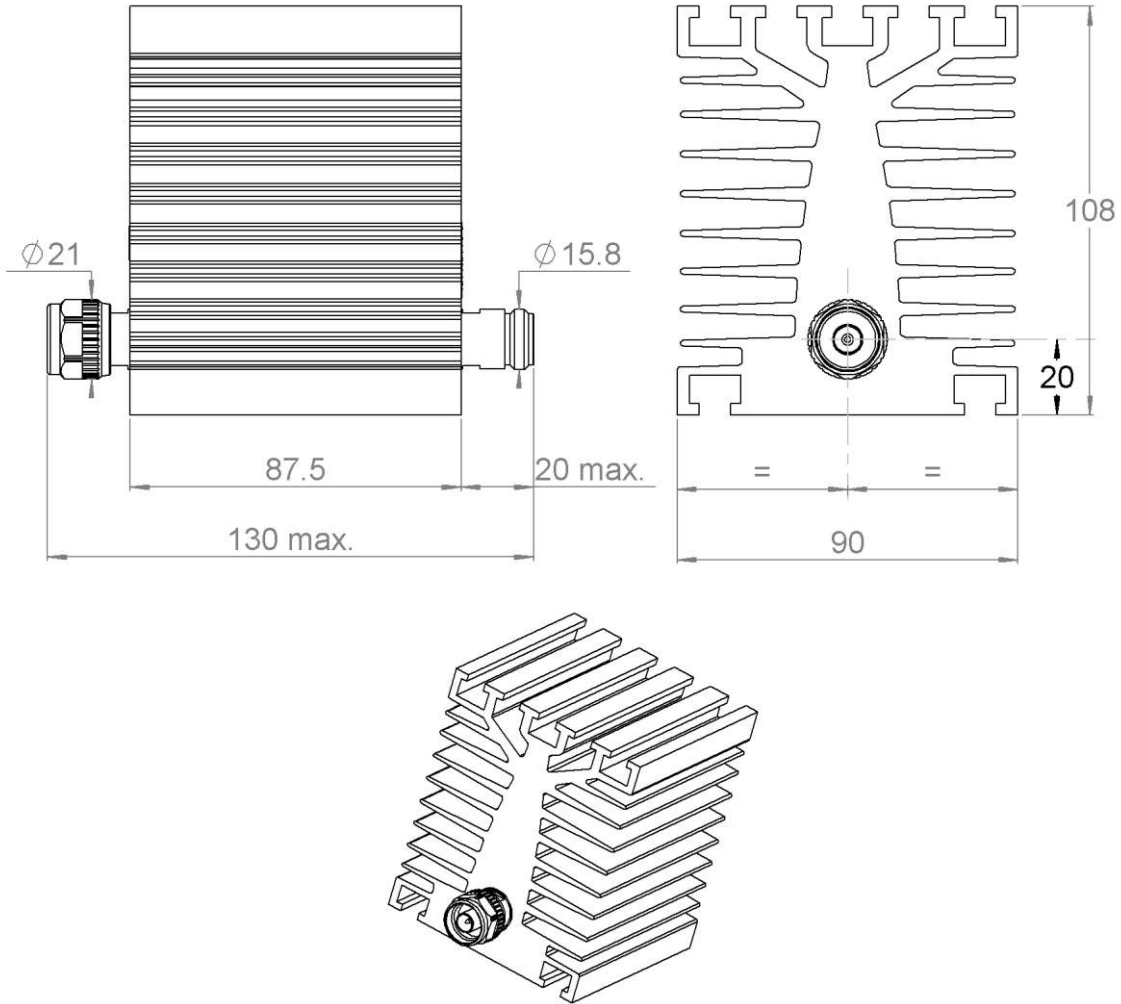
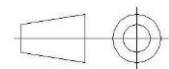


| | | | |
|----------|-----------------|-----------------------------|-------------------------------|
| PAGE 1/2 | ISSUE 05-03-19A | SERIES ATTENUATOR | PART NUMBER R422010030 |
|----------|-----------------|-----------------------------|-------------------------------|



All dimensions are in mm. Tolerances according ISO 2768 m-H



| COMPONENTS | MATERIALS | PLATING (µm) |
|-----------------------|--------------------------|--|
| Body | BRASS | BBR 3 |
| Male center contact | BERYLLIUM COPPER | GOLD 0.5 OVER NICKEL PHOSPHORUS 2 |
| Female center contact | BERYLLIUM COPPER | GOLD 0.5 OVER NICKEL PHOSPHORUS 2 |
| Outer contact | | |
| Insulator | PTFE | |
| Gasket | SILICONE RUBBER | |
| Substrate | ALUMINIUM NITRIDE | |
| Resistor | THICK FILM | |
| Others parts | ALUMINIUM | BLACK ANODIZATION |

| | | | |
|----------|------------------------|-----------------------------|-------------------------------|
| PAGE 2/2 | ISSUE 05-03-19A | SERIES ATTENUATOR | PART NUMBER R422010030 |
|----------|------------------------|-----------------------------|-------------------------------|

ELECTRICAL CHARACTERISTICS

| | |
|-----------------|---------------|
| Frequency (GHz) | DC - 6 |
| V.S.W.R (≤) | 1.25 |
| Deviation(±dB) | 0.75 |

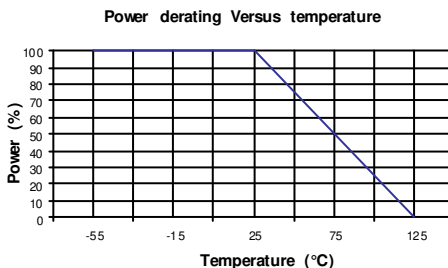
| | | |
|------------------------------|---------------|-----------------------|
| Operating Frequency Range | DC - 6 | GHz |
| Impedance | 50 | Ω |
| Nominal Attenuation | 10 | dB |
| Peak power at 25°C (1μs, 1%) | 2000 | W |
| Average power at 25°C | 100 | W (Free Air Cooled) |
| | | W (Conduction Cooled) |

MECHANICAL CHARACTERISTICS

| | | | |
|------------|-------------------|--------------------|-------------------|
| Connectors | N | Male Female | MIL C39012 |
| Weight | 1 197,2600 | g | |

ENVIRONMENTAL CHARACTERISTICS

| | | |
|-----------------------------|-----------------|----|
| Operating temperature range | -55/+125 | °C |
| Storage temperature range | -55/+125 | °C |



SPECIFICATION

OTHER CHARACTERISTICS