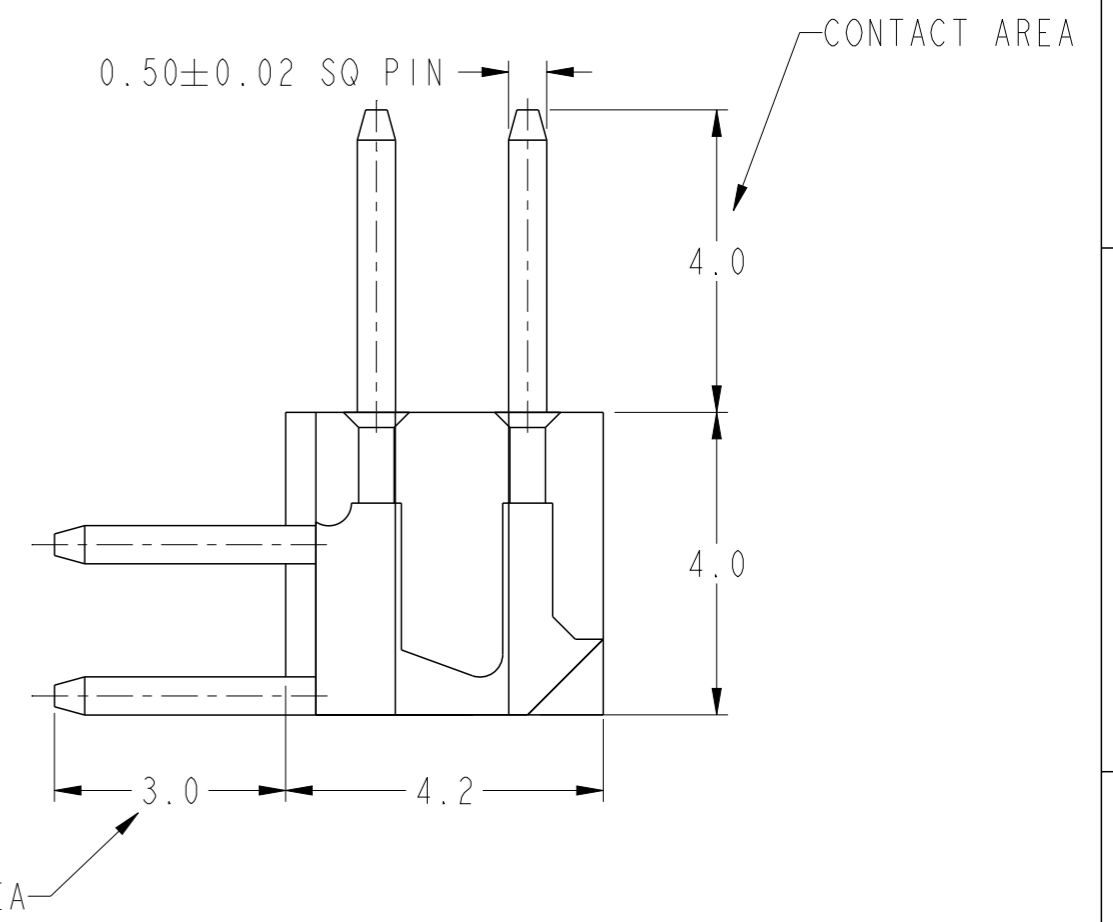
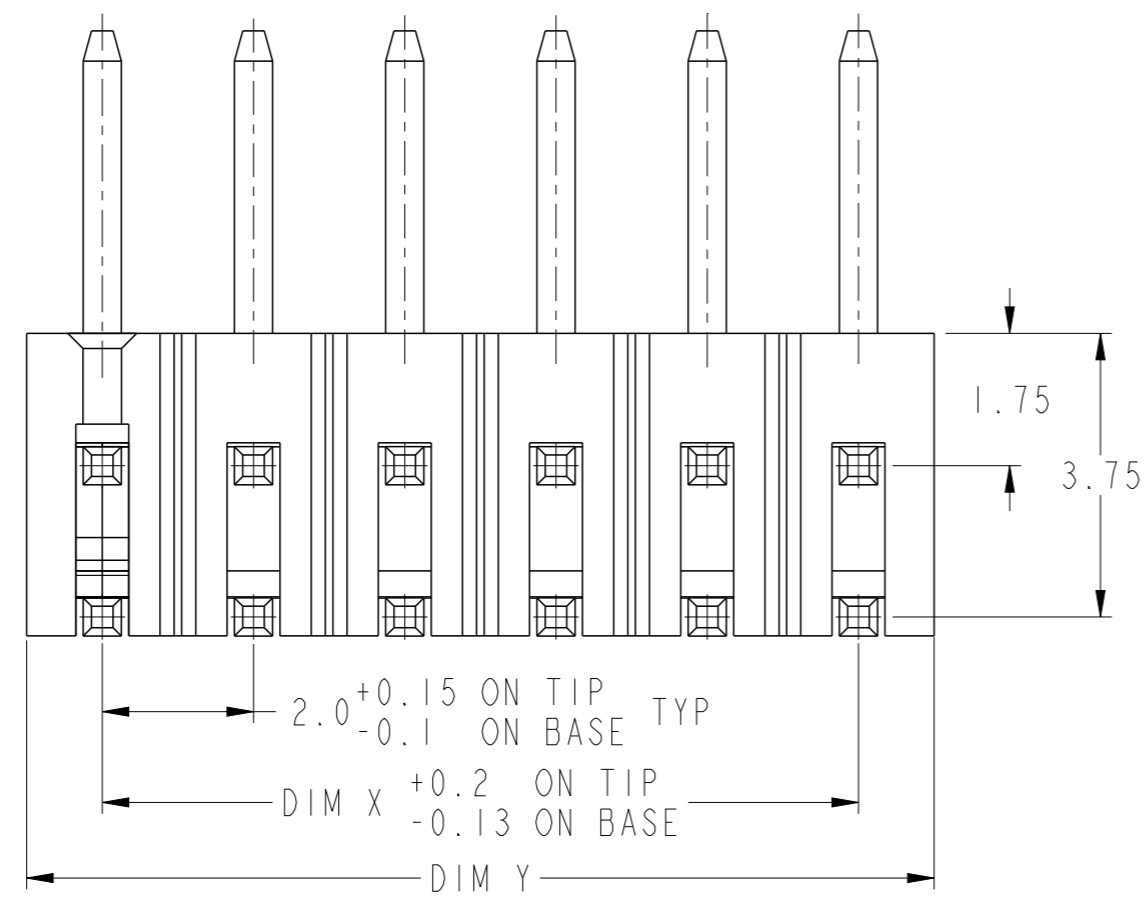


SCALE 5:1



spec ref	-	dr	Andrew Yong	2010/10/22	projection	MM	size	A3	scale	10:1
tolerance std	ISO 406 ISO 1101	TOLERANCES UNLESS OTHERWISE SPECIFIED			eng	Yuan-Yuan Bao	2021/08/10	ecn no	ELX-N-41765-1	
surface	linear	0.X	±	-	chr	-	-	rel level	Released	
		0.XX	±	0.25	appr	Tim Yao	2021/08/11	product family	-	
	angular	0°	±	3°	Amphenol FCi			MINITEK II R/A HEADER	dwg no	94277
ISO 1302					cat. no.	-	Product - Customer Drw	rev	F	

PRODUCT NO	POS	DIM X	DIM Y
94277-X04	2 X 2	2	4
X06	2 X 3	4	6
X08	2 X 4	6	8
X10	2 X 5	8	10
X12	2 X 6	10	12
X14	2 X 7	12	14
X16	2 X 8	14	16
X18	2 X 9	16	18
X20	2 X 10	18	20
X22	2 X 11	20	22
X24	2 X 12	22	24
X26	2 X 13	24	26
X28	2 X 14	26	28
X30	2 X 15	28	30
X32	2 X 16	30	32
X34	2 X 17	32	34
X36	2 X 18	34	36
X38	2 X 19	36	38
X40	2 X 20	38	40
X42	2 X 21	40	42
X44	2 X 22	42	44
X46	2 X 23	44	46
X48	2 X 24	46	48
X50	2 X 25	48	50

PRODUCT DESCRIPTION CODE :

XXXXX-XXXLF

LEAD FREE (SEE NOTE 4)

EXTENSION NUMBER

TERMINAL PLATING

BASE NUMBER

NOTES:

1. MATERIAL:  
 BODY : HIGH TEMPERATURE PLASTIC UL 94V-0 BLACK  
 PIN : COPPER ALLOY

2. TOLERANCE UNLESS OTHERWISE NOTED  $\pm 0.25$

③ STAND-OFF DESIGN FOR 2X2 POS. REFERS TO FIG. 1.

④ P/N:94277-XXXLF IS SAME AS P/N:94277-XXX. THE SUFFIX 'LF' IS ADDED JUST FOR EASY LEAD FREE IDENTIFICATION

5. THE HOUSING WILL WITHSTAND EXPOSURE TO 255°C PEAK TEMPERATURE FOR 10 SECONDS IN A CONVECTION, INFRA-RED OR VAPOR PHASE REFLOW OVEN.

6. THE HOUSING WILL WITHSTAND EXPOSURE TO 260°C PEAK TEMPERATURE FOR 10 SECONDS IN A WAVE SOLDER APPLICATION WITH A 1.57MM MINIMUM THICK CIRCUIT BOARD.

7. THIS PRODUCT MEETS EUROPEAN UNION DIRECTIVES AND OTHER COUNTRY REGULATIONS AS DESCRIBED IN GS-22-008.

8. PACKAGE:94277-XXXLF STANDARD PACKAGE IN BAG,  
 94277-XXXTRLF PACKAGE IN TAPE REEL.

PLATING	DESCRIPTION
0	0.20 $\mu$ m Au OVER Ni
1	0.76 $\mu$ m Au OVER Ni
3	0.38 $\mu$ m Au OVER Ni
5	0.38 $\mu$ m PdNi W Au FLASH OVER Ni
6	0.76 $\mu$ m PdNi W Au FLASH OVER Ni
7	0.76 $\mu$ m AU OVER NI ON CONTACT AREA 2.54 $\mu$ m MATTE TIN OVER NI ON SOLDER AREA
8	0.38 $\mu$ m AU OVER NI ON CONTACT AREA 2.54 $\mu$ m MATTE TIN OVER NI ON SOLDER AREA
9	0.20 $\mu$ m AU OVER NI ON CONTACT AREA 2.54 $\mu$ m MATTE TIN OVER NI ON SOLDER AREA
A	GOLD FLASH OVER NI ON CONTACT AREA 2.54 $\mu$ m MATTE TIN OVER NI ON SOLDER AREA
B	2.54 $\mu$ m MATTE TIN OVER NI OVERALL

Amphenol FCI

© 2020 Amphenol Corporation

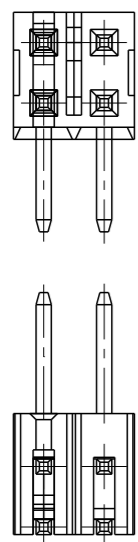
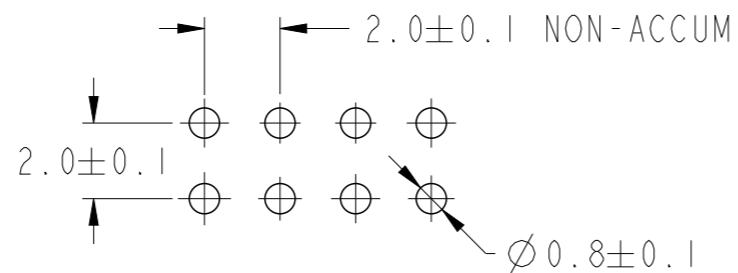


FIG. 1

SEE NOTE 3



RECOMMENDED HOLE LAYOUT  
 SCALE 5:1

dr	Andrew Yong	2010/10/22	projection	MM	size	A3	scale	9:1	
eng	Yuan-Yuan Bao	2021/08/10			ecn no	ELX-N-41765-1	rel level	Released	
chr	-	-							
appr	Tim Yao	2021/08/11	product family	-	rel level	Released			
			MINITEK II R/A HEADER			dwg no	94277	rev	F
cat. no.			-			Product - Customer Drw		sheet 2 of 2	