



ANATECH ELECTRONICS INC
RF & Microwave Filters & Products

25 MHz LC Bandpass Filter

Part Number: AE25B4943



Electrical Specifications

Center Frequency: 25 MHz
Bandwidth: 2.5 MHz
Passband : 23.75 MHz to 26.25 MHz
Insertion Loss: <2dB @ 23.75 MHz to 26.25 MHz
Return Loss: >14dB @ 24 MHz to 26 MHz
Rejection: >50dB @ 0-21.25 MHz
Rejection: >50dB @ 28.75 MHz to 200 MHz
Impedance: 50 Ohms

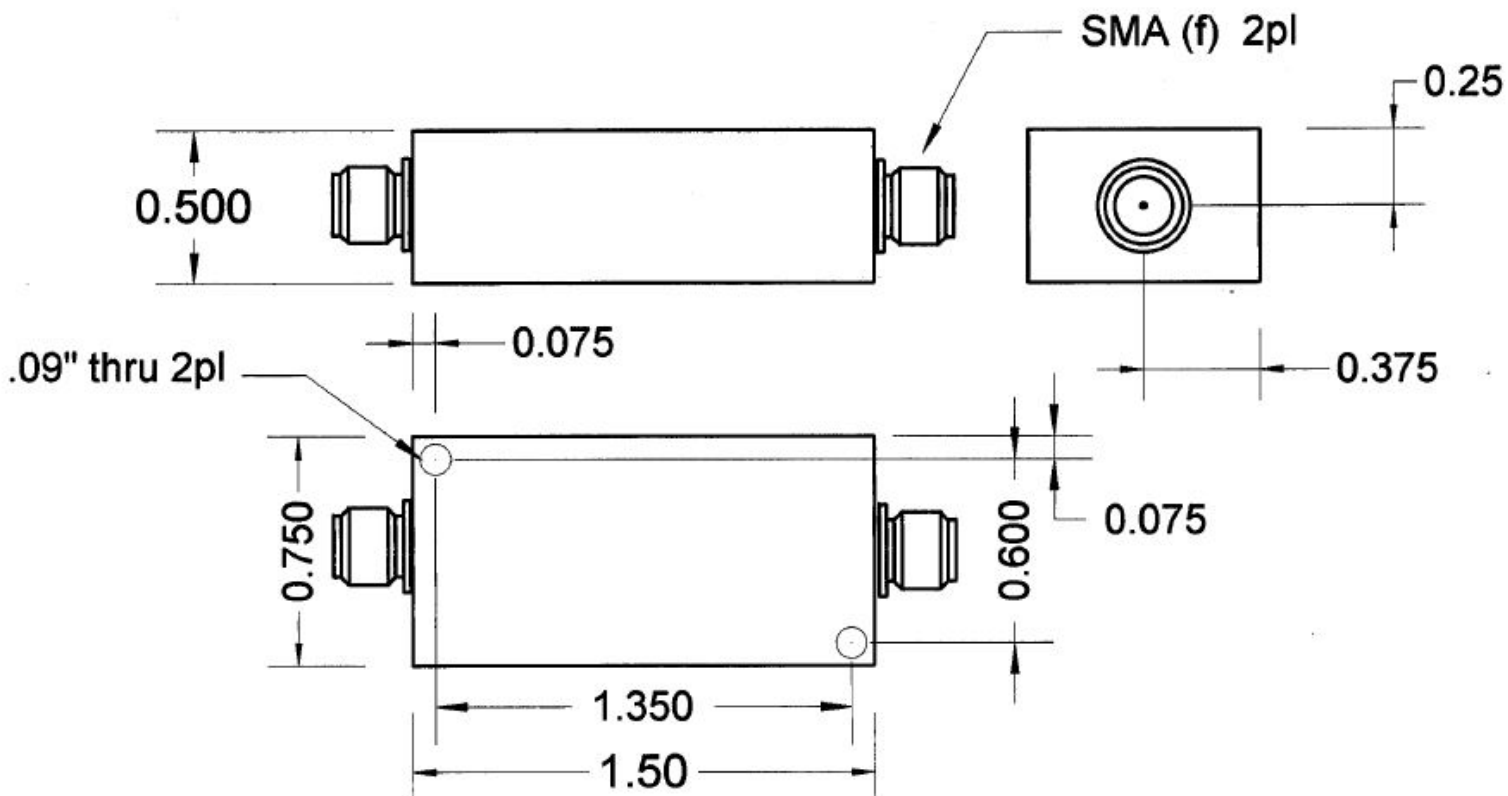
Mechanical

Mounting Method: Through Holes
Connector Type: SMA(F)
Dimensions: 1.5" x 0.75" x 0.5" in.

Environmental

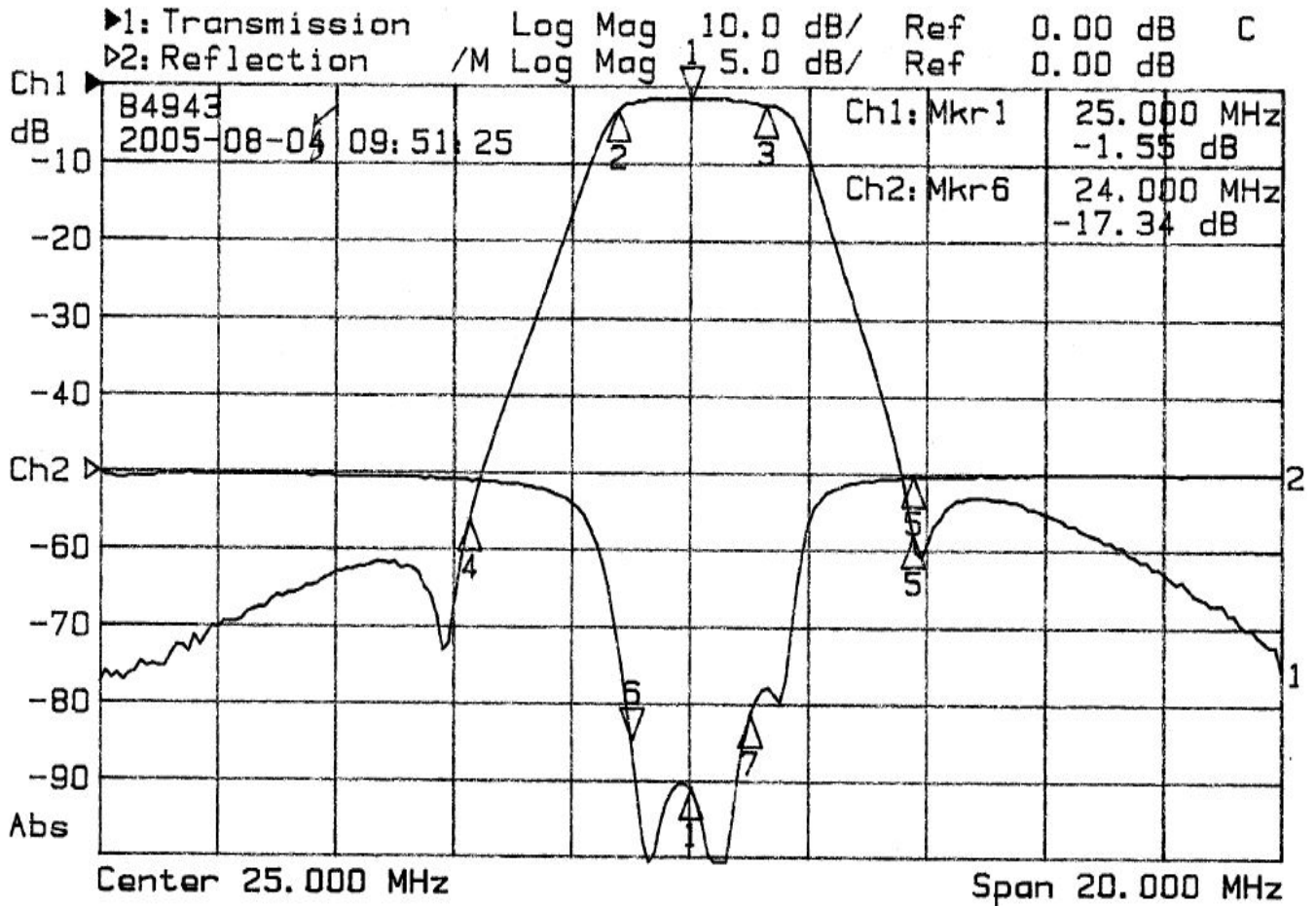
Operating Temperature: -25°C to +70°C
Storage Temperature: -40°C to +90°C
Shock: 10 G. 11ms
Vibration: 10 G. 5 to 200Hz

Outline Drawing:





Response Plot:



1: Mkr (MHz)	dB	2: Mkr (MHz)	dB
1> 25.00	-1.55	1: 25.00	-20.54
2: 23.75	-3.19		
3: 26.25	-2.39		
4: 21.25	-56.22		
5: 28.75	-58.17	5: 28.75	-0.20
		6> 24.00	-17.34
		7: 26.00	-15.76



Handwritten signature