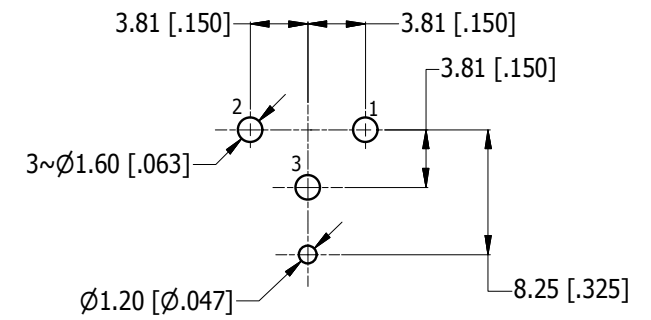
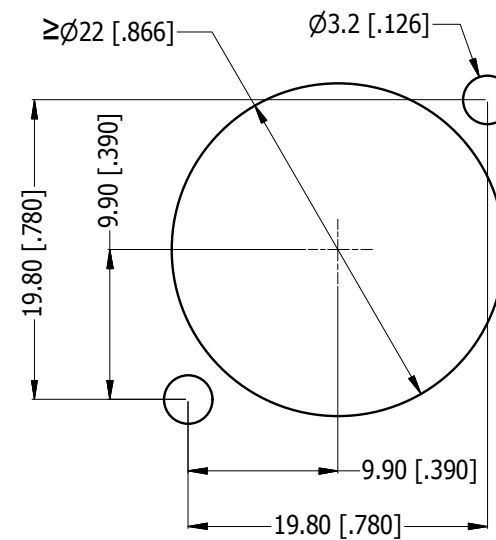
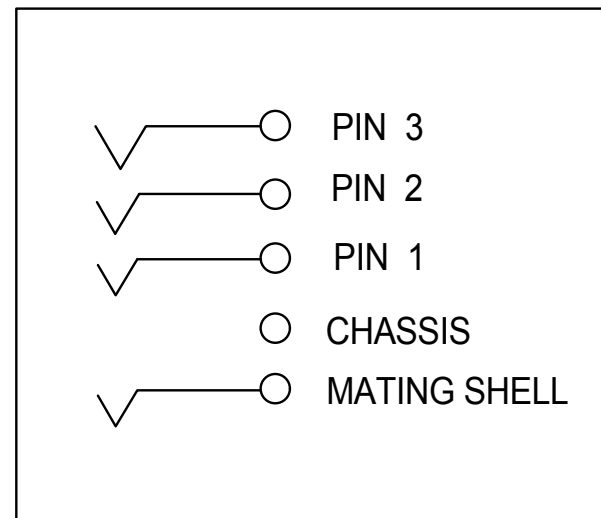
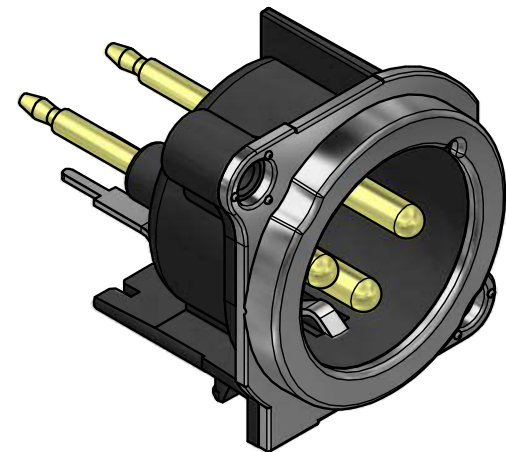
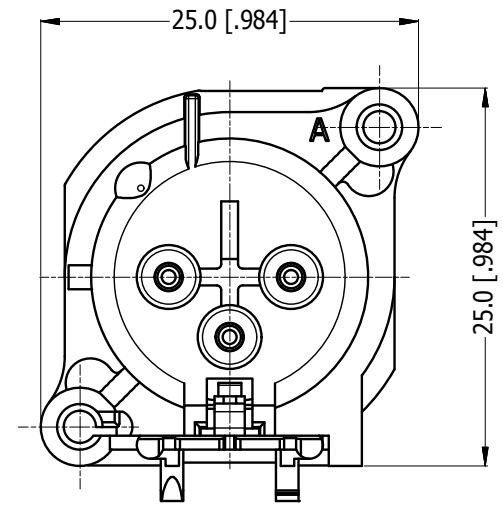
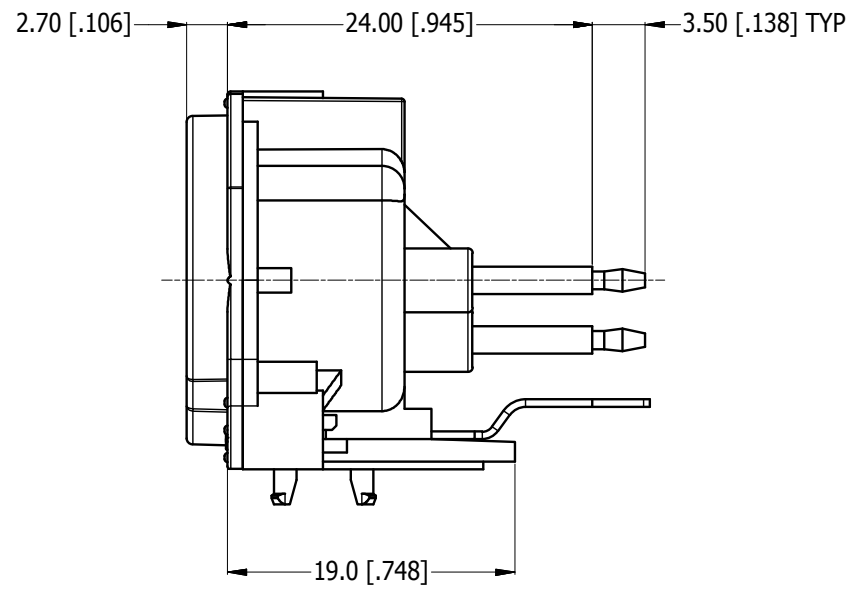
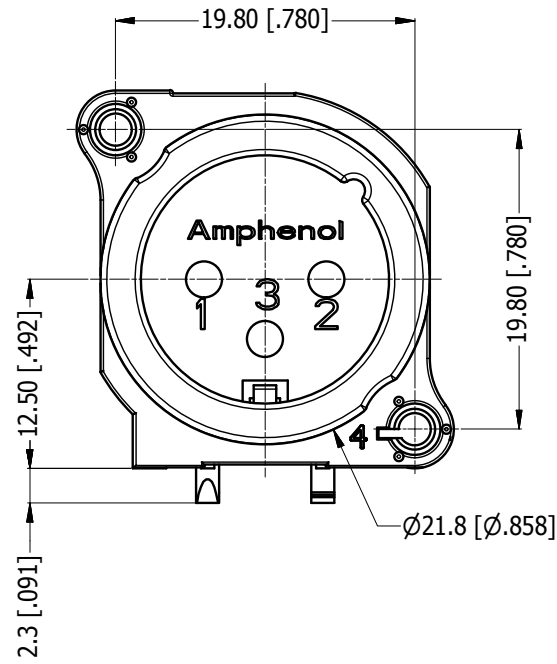
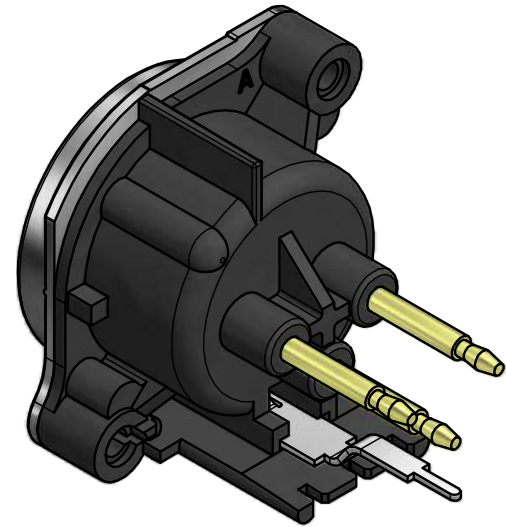


LEGEND = KEY PRODUCT CHARACTERISTICS

REVISION HISTORY				
REV	DESCRIPTION	DATE	BY	CHG/No
0	FIRST ISSUE	17-03-17	MH	---

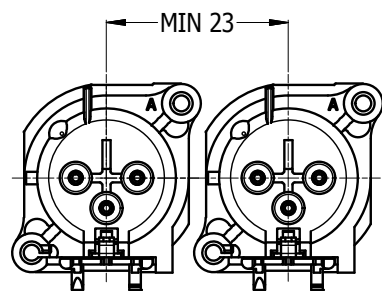


PCB-LAYOUT
COMPONENT SIDE
TOLERANCE: ± 0.05mm [.002"]

ISO VIEWS

SCHMATIC CHART

PANEL CUT OUT
REAR VIEW



MIN MOUNTING PITCH
(SCALE 1:1)

UNLESS OTHERWISE SPECIFIED TOLERANCE TO BE		THIS DOCUMENT IS THE PROPERTY OF AMPHENOL AUSTRALIA PTY. LTD. NO PART THEREOF MAY BE REPRODUCED AND USED WITHOUT THE PRIOR WRITTEN CONSENT OF THE OWNER				Amphenol Amphenol Australia Pty.Ltd, 22 Industry Blvd, Carrum Downs, VIC 3201	
LINEAR	ANGULAR	MATERIAL:	DRN:	DATE:	TITLE:	PART No:	
X ± 0.5	X' ± 1	REFER TO COMPONENT	MH	17-03-17	B-TYPE VERTICAL MALE CUSTOMER DRAWING	AC3MBV-AU-PRE	
X.X ± 0.1	X.X' ± 30'	BREAK ALL SHARP EDGES AND REMOVE ALL BURRS	CKD:	DATE:	APP'D:	DRAWING NO.	
X.XX ± 0.05	X.XX" ± 15'	DO NOT SCALE	M.H	17-03-17	P.M	55011228-000-2	
DIMENSIONS IN MILLIMETRES		FINISH: REFER TO COMPONENT	SCALE: 2:1	SIZE: A3	CAD FILE: 55011228000220	SHEET 2/2	