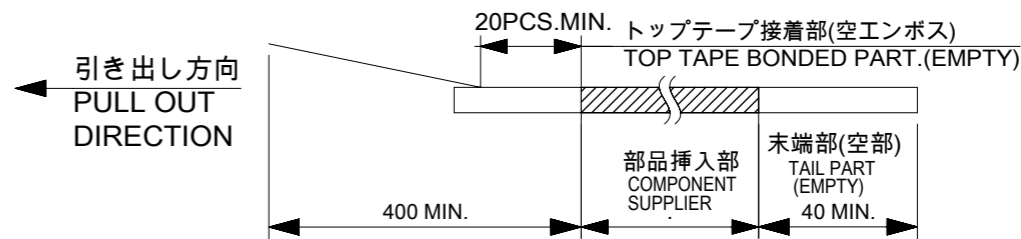
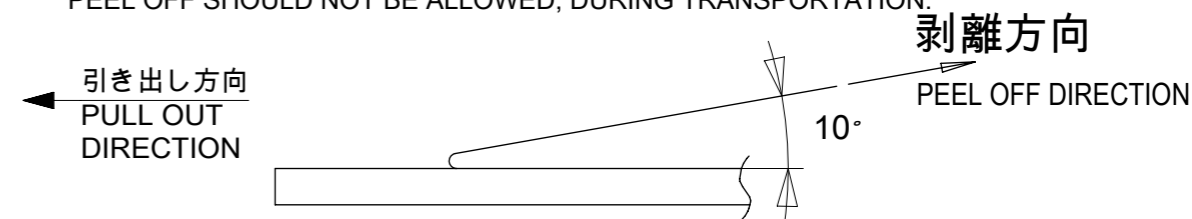


NOTES

1. 製品詳細寸法については、527931000 DOC PART 000図面を参照下さい。  
RE DETAILED DIMENSION, SEE 527931000 DOC PART 000
2. 梱包数量 : 1000個 / リール  
NUMBER OF CONNECTORS : 1000 PCS/REEL
3. リードテープ長さ LEAD TAPE LENGTH

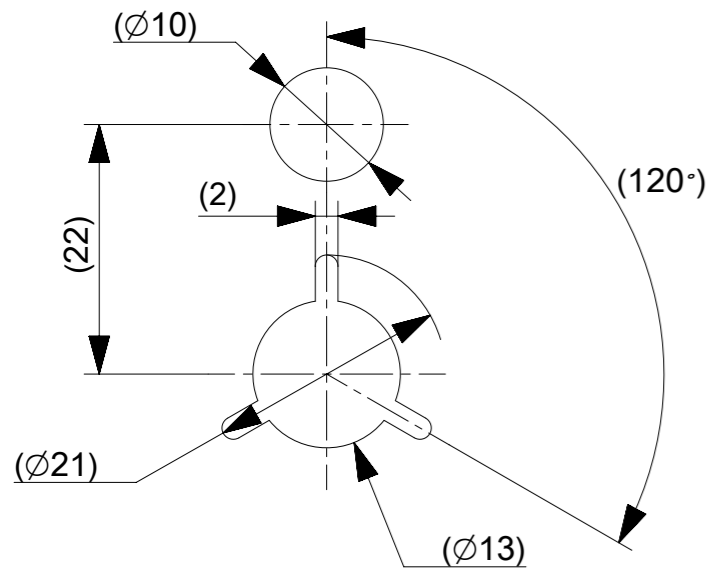
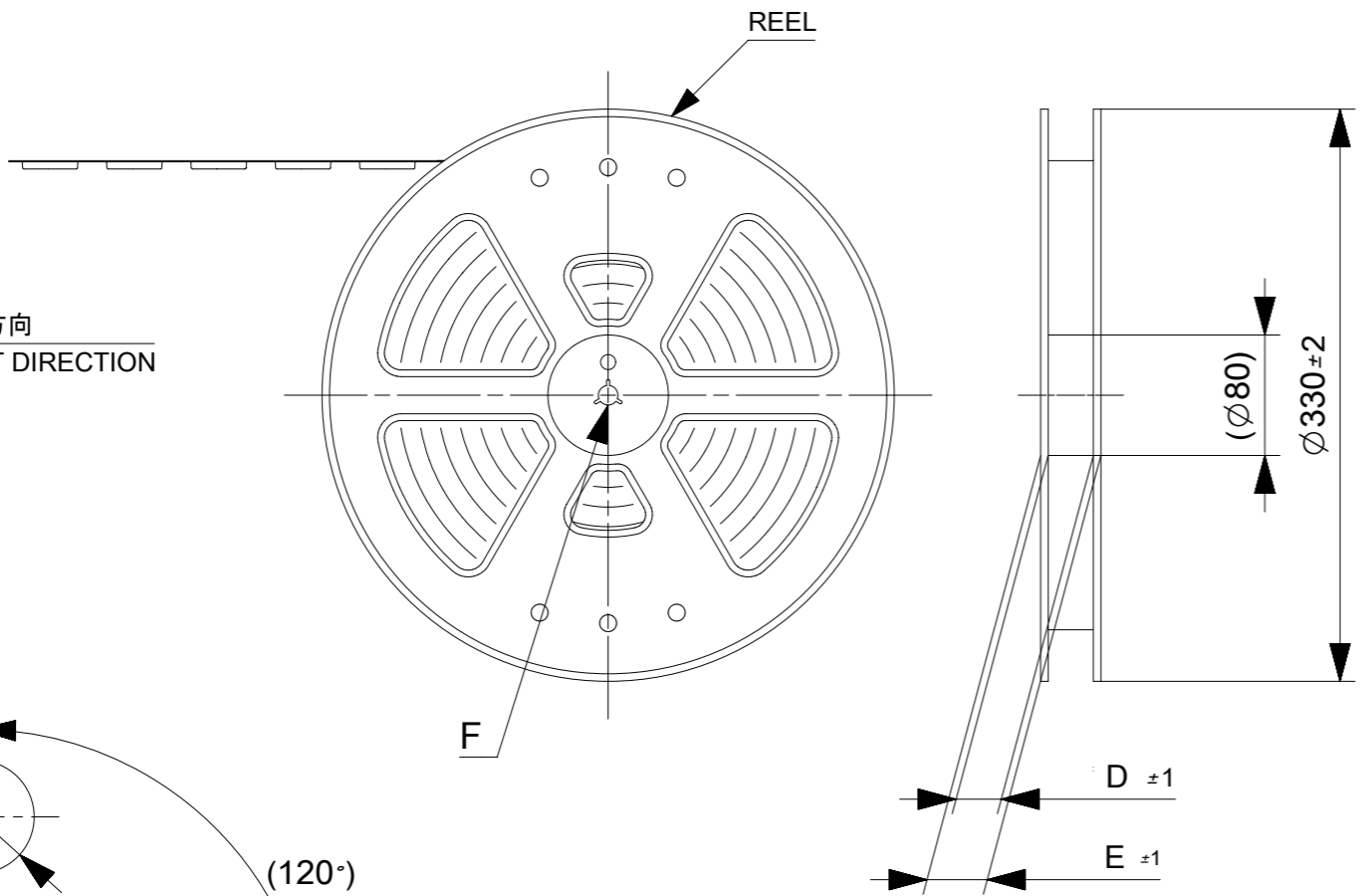


4. トップテープの剥離強度 : 0.1N-1.3N(10-130gf)(剥離方向は下図参照) 尚、本規格値は出荷時に適用。(但し、輸送時に剥離が発生しないこと。)  
PEELING OFF FORCE OF TOP TAPE : 0.1N-1.3N(10-130gf)  
(PEELING DIRECTION AS SHOWN IN FOLLOWING FIG.)  
THIS REQUIREMENT SHOULD BE APPLIED AT SHIPMENT.  
PEEL OFF SHOULD NOT BE ALLOWED, DURING TRANSPORTATION.



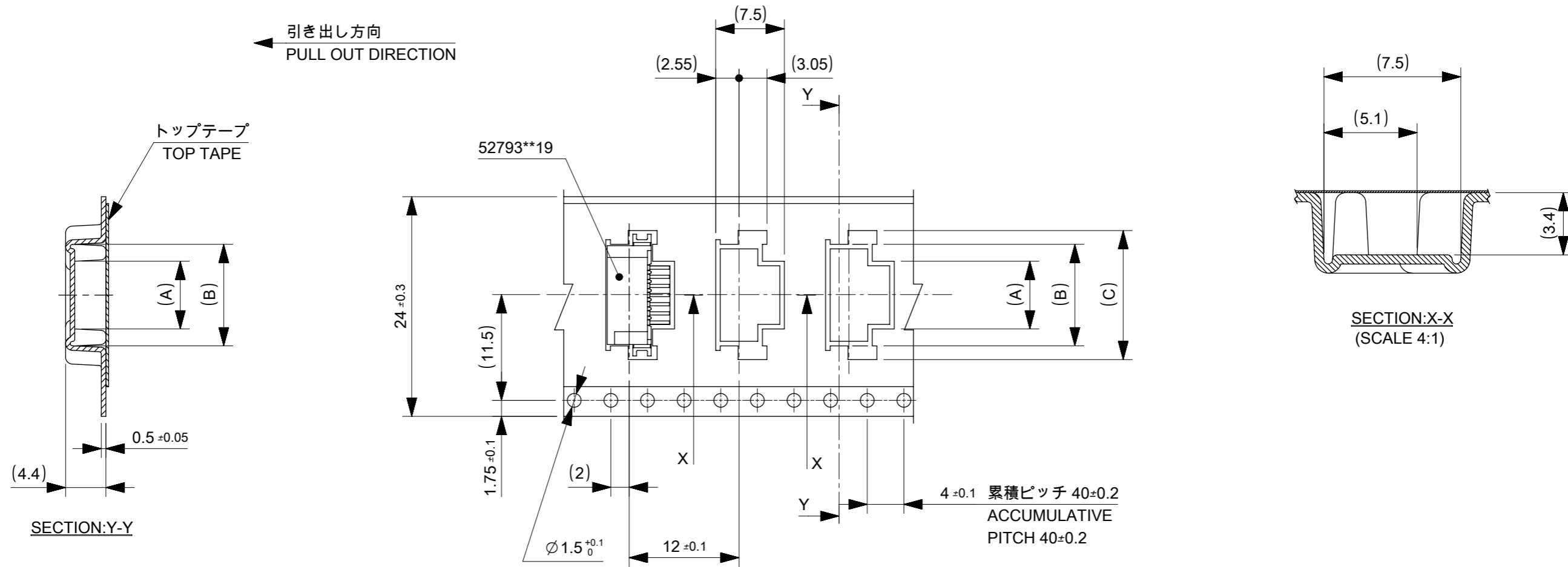
5. 材料(MATERIAL)  
キャリアテープ(CARRIER TAPE) : ポリプロピレン(POLYPROPYLENE)  
トップテープ(TOP TAPE) : PET, PE, PEF  
リール(REEL) : ポリスチレン(PS) <リサイクル材を含む>  
POLYSTYRENE(PS) <RECYCLE MATERIAL CONTAINED>

6. 本製品は 52793\*\*90 の鉛フリー品である。  
THIS PRODUCT IS LEAD FREE OF 52793\*\*90.



52793\*\*70 MODEL NO.

THIS DRAWING CONTAINS INFORMATION THAT IS PROPRIETARY TO MOLEX ELECTRONIC TECHNOLOGIES, LLC AND SHOULD NOT BE USED WITHOUT WRITTEN PERMISSION										
EC NO: 108819 DRWN: RLALSANGI CHK'D: KTAKAHASHI APPR: TKUSUHARA01	GENERAL TOLERANCES (UNLESS SPECIFIED)				DIMENSION UNITS	SCALE				
	ANGULAR TOL ± 3.0 °				MM	NTS				
	4 PLACES ± 0.2		3 PLACES ± 0.2		DRWN BY	DATE	1.0 FFC CONN ASSY NON ZIF SMT RA UPPER CONTACT EMBSTP PKG -LEAD FREE-			
	2 PLACES ± 0.25		1 PLACE ± 0.3		CHK'D BY	DATE				
	0 PLACES ± 0.3		DRAFT WHERE APPLICABLE MUST REMAIN WITHIN DIMENSIONS		APPR BY	DATE				
A		REV		DRAWING SIZE	THIRD ANGLE PROJECTION	PRODUCT CUSTOMER DRAWING				
A		REV		A3		SERIES	MATERIAL NUMBER	CUSTOMER		
A		REV				52793		GENERAL		
A		REV				DOCUMENT NUMBER		DOC TYPE	DOC PART	SHEET NUMBER
A		REV				527930000		PSD	000	1 OF 5



24mm幅キャリアテープ  
24mm WIDTH CARRIER TAPE

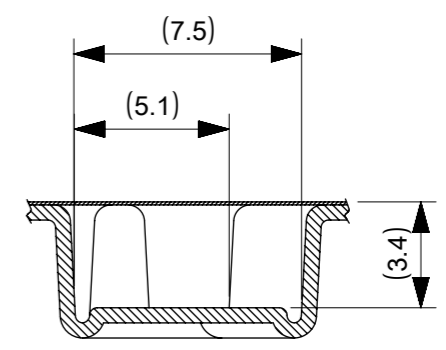
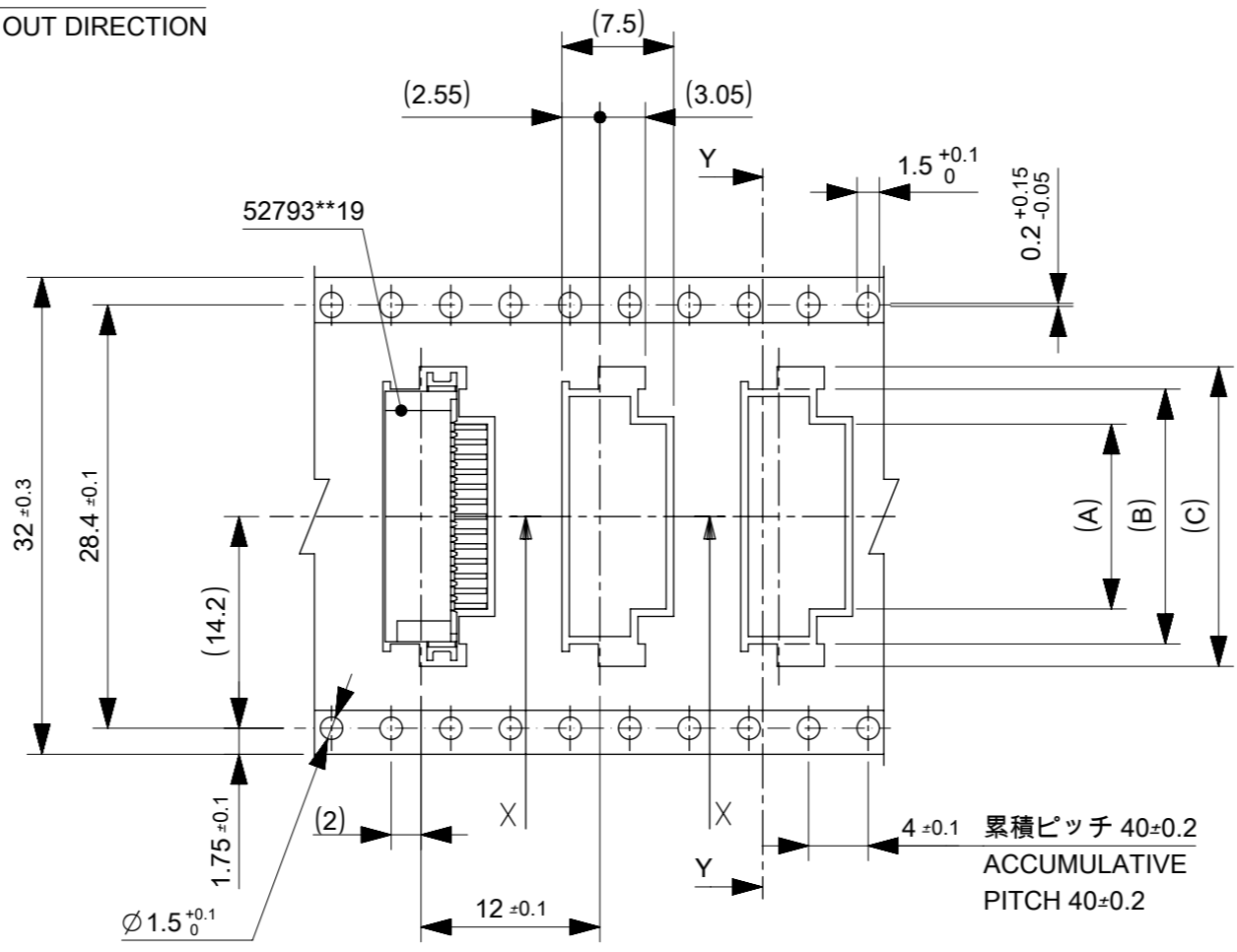
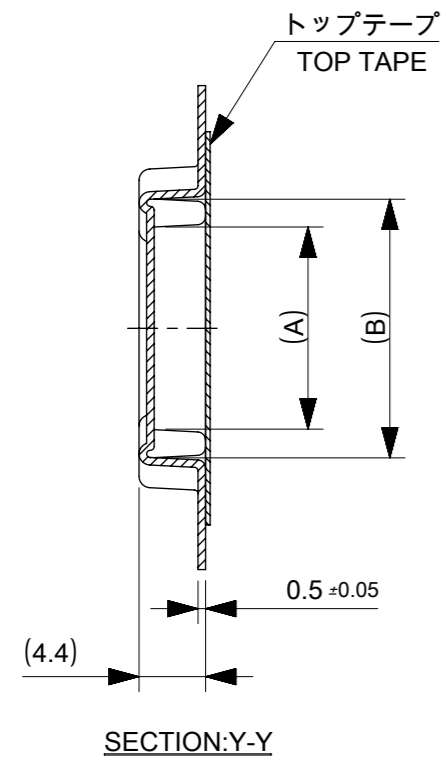
24	29.4	25.4	18.1	15.1	11.4	527931170	11	
			17.1	14.1	10.4	527931070	10	
			16.1	13.1	9.4	527930970	9	
			15.1	12.1	8.4	527930870	8	
			14.1	11.1	7.4	527930770	7	
			13.1	10.1	6.4	527930670	6	
			12.1	9.1	5.4	527930570	5	
			11.1	8.1	4.4	527930470	4	
キャリアテープ幅 CARRIER TAPE WIDTH		E	D	(C)	(B)	(A)	MATERIAL NO.	極数 CIRCUIT

52793\*\*70 MODEL NO.

THIS DRAWING CONTAINS INFORMATION THAT IS PROPRIETARY TO MOLEX ELECTRONIC TECHNOLOGIES, LLC AND SHOULD NOT BE USED WITHOUT WRITTEN PERMISSION

EC NO: 108819 DRWN: RLALSANGI CHK'D: KTAKAHASHI APPR: TKUSUHARA01	2016/02/03	GENERAL TOLERANCES (UNLESS SPECIFIED)		DIMENSION UNITS	SCALE				
	2016/09/28	ANGULAR TOL ± 3.0 °		MM	NTS				
	2016/09/29	4 PLACES	± 0.2	DRWN BY	DATE	1.0 FFC CONN ASSY NON ZIF SMT RA UPPER CONTACT EMBSTP PKG -LEAD FREE-			
	RLALSANGI KTAKAHASHI TKUSUHARA01	3 PLACES	± 0.2	CHK'D BY	DATE				
		2 PLACES	± 0.25	KTAKAHASHI	2016/09/28				
1 PLACE		± 0.3	APPR BY	DATE					
0 PLACES		± 0.3	TKUSUHARA01	2016/09/29					
DRAFT WHERE APPLICABLE MUST REMAIN WITHIN DIMENSIONS		DRAWING SIZE	THIRD ANGLE PROJECTION	PRODUCT CUSTOMER DRAWING					
A	REV	A3		SERIES	MATERIAL NUMBER	CUSTOMER			
				52793		GENERAL			
		DRAFT WHERE APPLICABLE MUST REMAIN WITHIN DIMENSIONS		DOCUMENT NUMBER	DOC TYPE	DOC PART	SHEET NUMBER		
				527930000	PSD	000	2 OF 5		

引き出し方向  
PULL OUT DIRECTION



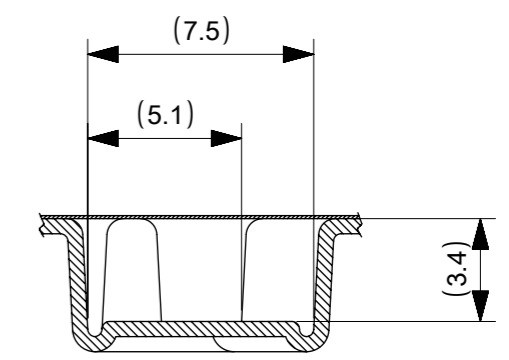
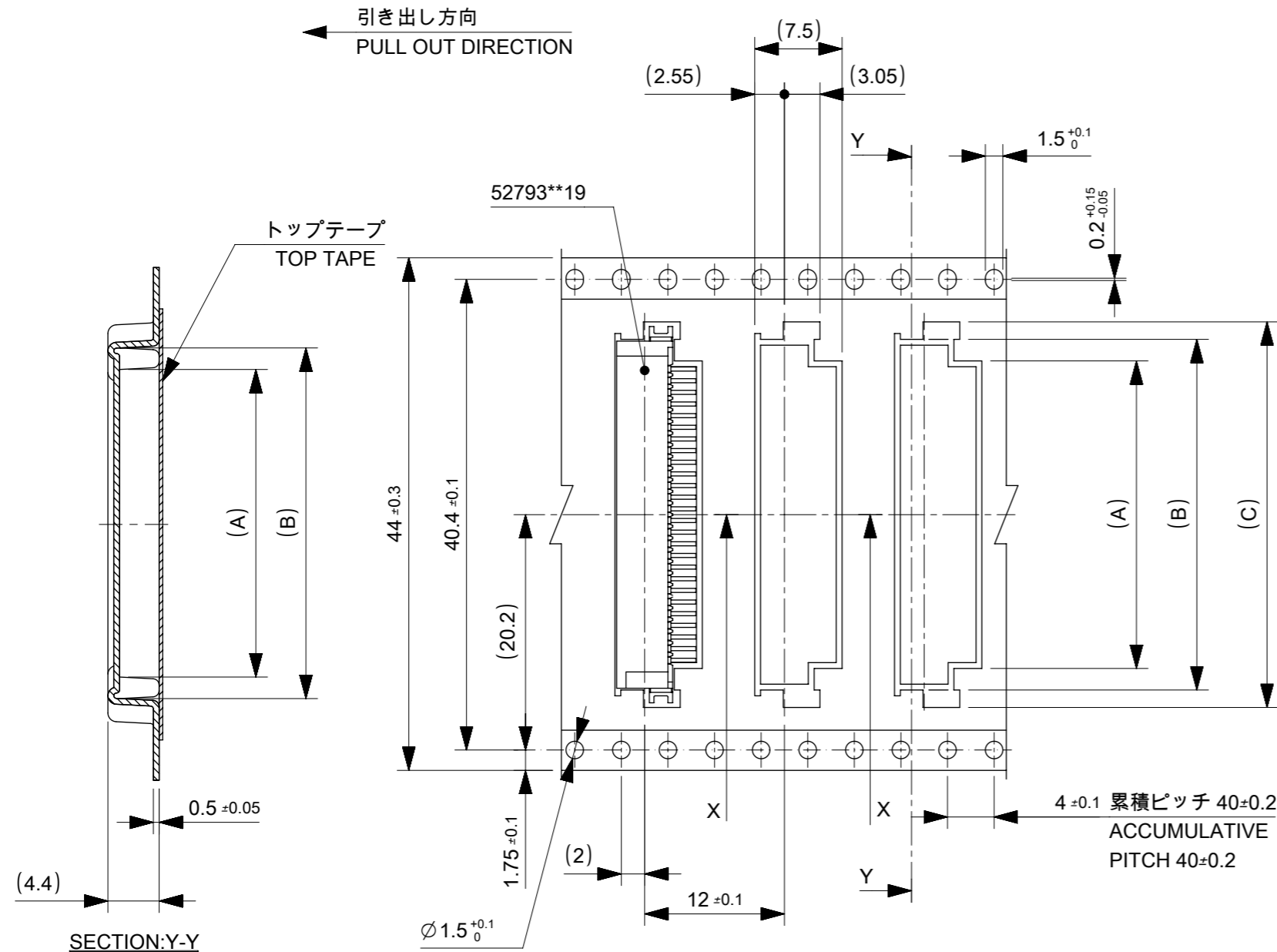
32mm 幅キャリアテープ  
32mm WIDTH CARRIER TAPE

32	37.4	33.4	23.1	20.1	16.4	527931670	16
			22.1	19.1	15.4	527931570	15
			21.1	18.1	14.4	527931470	14
			20.1	17.1	13.4	527931370	13
			19.1	16.1	12.4	527931270	12
キャリアテープ幅 CARRIER TAPE WIDTH	E	D	(C)	(B)	(A)	MATERIAL NO.	極数 CIRCUIT

52793\*\*70 MODEL NO.

THIS DRAWING CONTAINS INFORMATION THAT IS PROPRIETARY TO MOLEX ELECTRONIC TECHNOLOGIES, LLC AND SHOULD NOT BE USED WITHOUT WRITTEN PERMISSION

EC NO: 108819 DRWN: RLALSANGI CHK'D: KTAKAHASHI APPR: TKUSUHARA01	2016/02/03	GENERAL TOLERANCES (UNLESS SPECIFIED)		DIMENSION UNITS	SCALE	
	2016/09/28	ANGULAR TOL ± 3.0 °		MM	NTS	
	2016/09/29	4 PLACES	± 0.2	DRWN BY	DATE	
		3 PLACES	± 0.2	RLALSANGI	2016/02/03	
		2 PLACES	± 0.25	CHK'D BY	DATE	
	1 PLACE	± 0.3	KTAKAHASHI	2016/09/28		
	0 PLACES	± 0.3	APPR BY	DATE		
			TKUSUHARA01	2016/09/29		
			DRAFT WHERE APPLICABLE MUST REMAIN WITHIN DIMENSIONS	DRAWING SIZE	THIRD ANGLE PROJECTION	1.0 FFC CONN ASSY NON ZIF SMT RA UPPER CONTACT EMBSTP PKG -LEAD FREE-
				A3		PRODUCT CUSTOMER DRAWING
						SERIES MATERIAL NUMBER CUSTOMER
						52793
						DOCUMENT NUMBER DOC TYPE DOC PART SHEET NUMBER
						527930000 PSD 000 3 OF 5



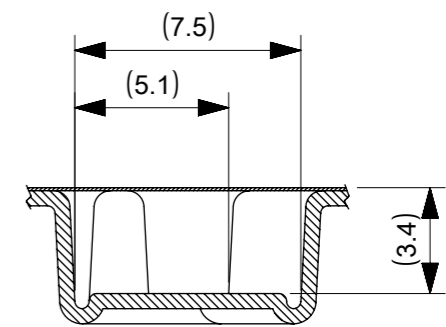
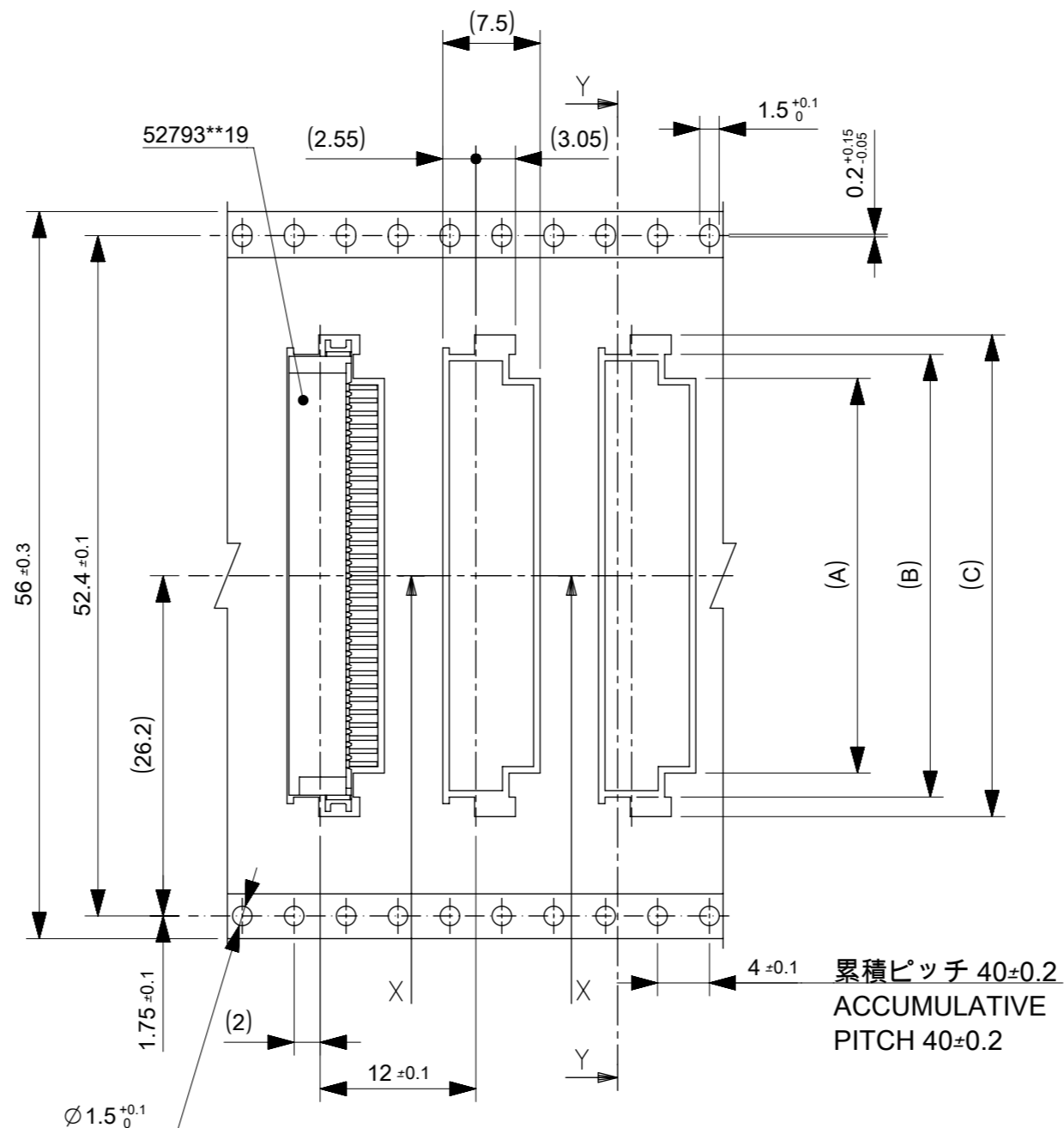
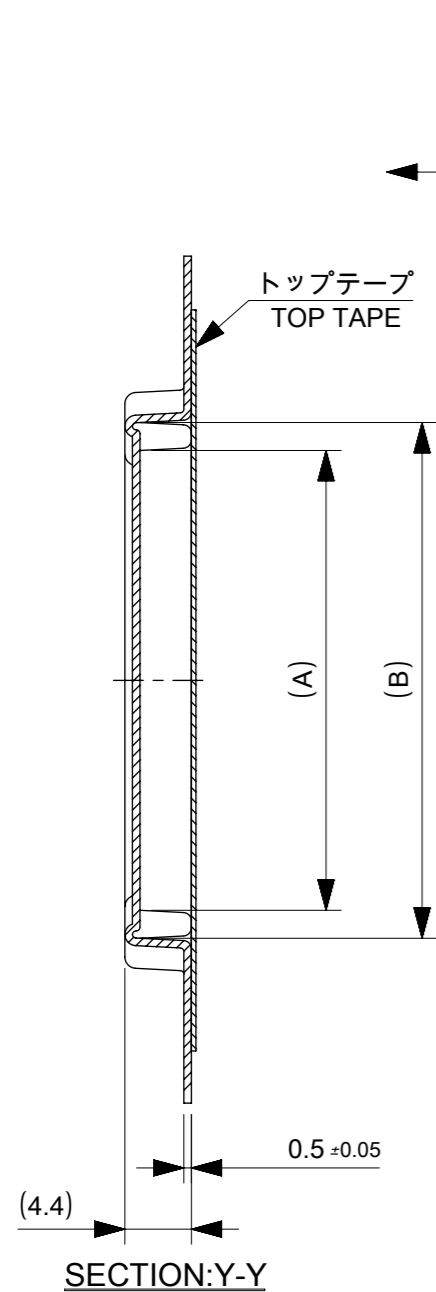
44mm幅キャリアテープ  
44mm WIDTH CARRIER TAPE

44	49.4	45.4	34.1	31.1	27.4	527932770	27		
			33.1	30.1	26.4	527932670	26		
			32.1	29.1	25.4	527932570	25		
			31.1	28.1	24.4	527932470	24		
			30.1	27.1	23.4	527932370	23		
			29.1	26.1	22.4	527932270	22		
			28.1	25.1	21.4	527932170	21		
			27.1	24.1	20.4	527932070	20		
			26.1	23.1	19.4	527931970	19		
			25.1	22.1	18.4	527931870	18		
			24.1	21.1	17.4	527931770	17		
キャリアテープ幅 CARRIER TAPE WIDTH			E	D	(C)	(B)	(A)	MATERIAL NO.	極数 CIRCUIT

52793\*\*70 MODEL NO.

THIS DRAWING CONTAINS INFORMATION THAT IS PROPRIETARY TO MOLEX ELECTRONIC TECHNOLOGIES, LLC AND SHOULD NOT BE USED WITHOUT WRITTEN PERMISSION

EC NO: 108819 DRWN: RLALSANGI CHK'D: KTAKAHASHI APPR: TKUSUHARA01	2016/02/03	GENERAL TOLERANCES (UNLESS SPECIFIED)		DIMENSION UNITS	SCALE	
	2016/09/28	ANGULAR TOL ± 3.0 °		MM	NTS	
	2016/09/29	4 PLACES	± 0.2	DRWN BY	DATE	
	REV	3 PLACES	± 0.2	RLALSANGI	2016/02/03	
		2 PLACES	± 0.25	CHK'D BY	DATE	
1 PLACE		± 0.3	KTAKAHASHI	2016/09/28		
	0 PLACES	± 0.3	APPR BY	DATE		
			TKUSUHARA01	2016/09/29	PRODUCT CUSTOMER DRAWING	
			DRAFT WHERE APPLICABLE MUST REMAIN WITHIN DIMENSIONS		DRAWING SIZE	THIRD ANGLE PROJECTION
				A3	SERIES: 52793 MATERIAL NUMBER: 527930000 CUSTOMER: GENERAL	
					DOCUMENT NUMBER: 527930000	DOC TYPE: PSD
					DOC PART: 000	SHEET NUMBER: 4 OF 5



SECTION:X-X  
(SCALE 4:1)

累積ピッチ 40±0.2  
ACCUMULATIVE  
PITCH 40±0.2

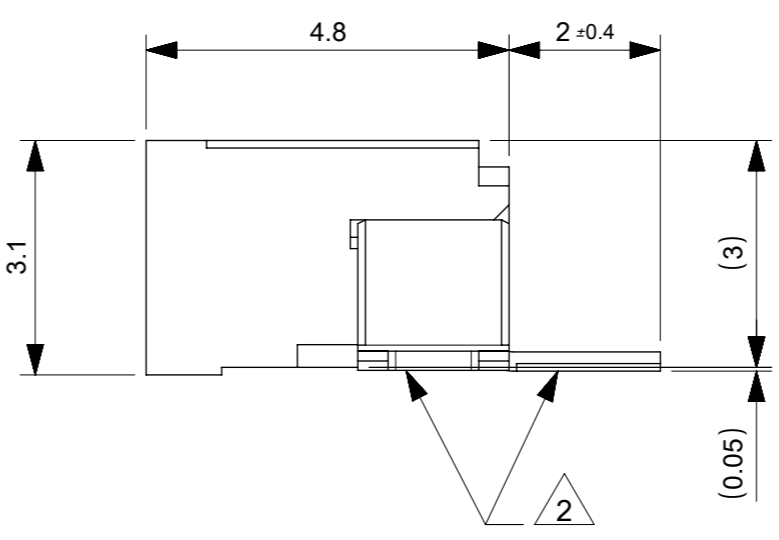
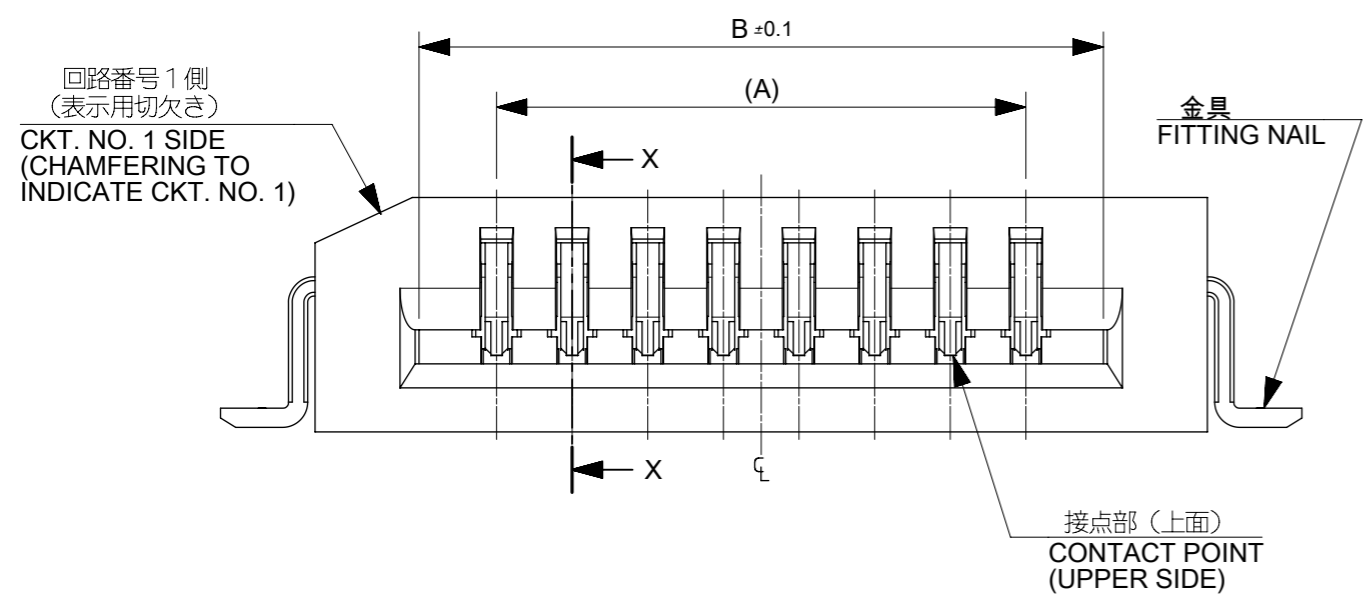
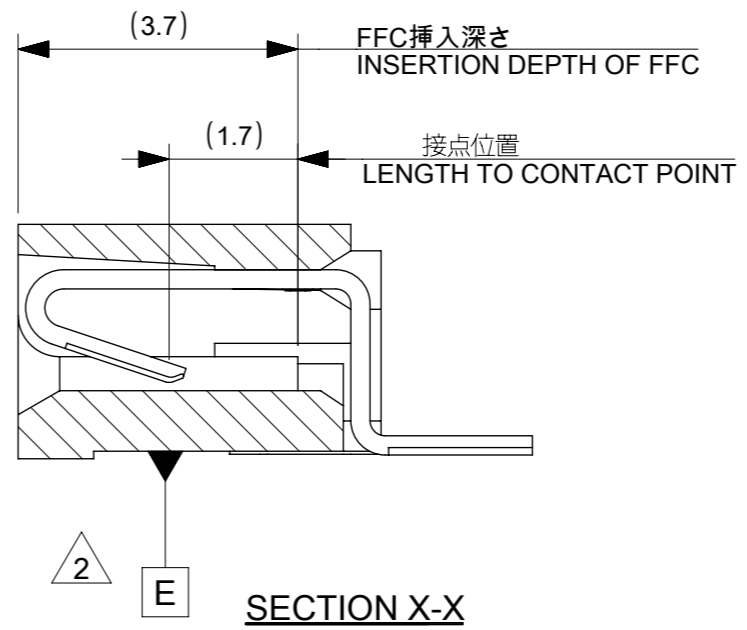
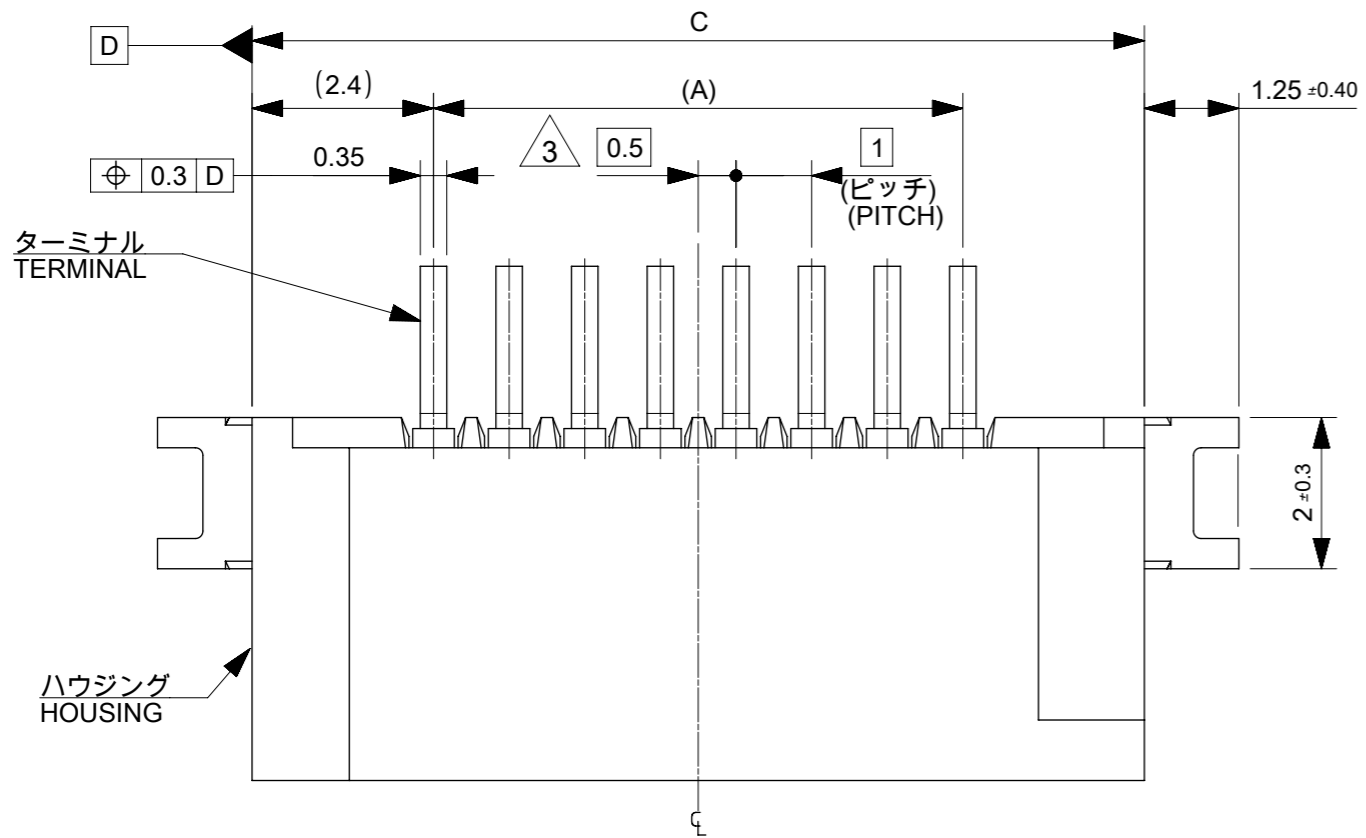
56mm 幅キャリアテープ  
56mm WIDTH CARRIER TAPE

56	61.4	57.4	37.1	34.1	30.4	527933070	30
			36.1	33.1	29.4	527932970	29
			35.1	32.1	28.4	527932870	28
キャリアテープ幅 CARRIER TAPE WIDTH	E	D	(C)	(B)	(A)	MATERIAL NO.	極数 CIRCUIT

52793\*\*70 MODEL NO.

THIS DRAWING CONTAINS INFORMATION THAT IS PROPRIETARY TO MOLEX ELECTRONIC TECHNOLOGIES, LLC AND SHOULD NOT BE USED WITHOUT WRITTEN PERMISSION

EC NO: 108819 DRWN: RLALSANGI CHK'D: KTAKAHASHI APPR: TKUSUHARA01	2016/02/03	GENERAL TOLERANCES (UNLESS SPECIFIED)		DIMENSION UNITS	SCALE			
	2016/09/28	ANGULAR TOL ± 3.0 °		MM	NTS			
	2016/09/29	4 PLACES ± 0.2	3 PLACES ± 0.2	DRWN BY	DATE			
		2 PLACES ± 0.25	1 PLACE ± 0.3	RLALSANGI	2016/02/03			
		0 PLACES ± 0.3	KTAKAHASHI	2016/09/28				
		DRAFT WHERE APPLICABLE MUST REMAIN WITHIN DIMENSIONS		CHK'D BY	DATE	1.0 FFC CONN ASSY NON ZIF SMT RA UPPER CONTACT EMBSTP PKG -LEAD FREE-		
		TKUSUHARA01		2016/09/29	PRODUCT CUSTOMER DRAWING			
		DRAWING SIZE	THIRD ANGLE PROJECTION					
		A3				SERIES	MATERIAL NUMBER	CUSTOMER
				52793		GENERAL		
				DOCUMENT NUMBER		DOC TYPE	DOC PART	SHEET NUMBER
				527930000		PSD	000	5 OF 5



33.8	31.05	29	527933019	30
32.8	30.05	28	527932919	29
31.8	29.05	27	527932819	28
30.8	28.05	26	527932719	27
29.8	27.05	25	527932619	26
28.8	26.05	24	527932519	25
27.8	25.05	23	527932419	24
26.8	24.05	22	527932319	23
25.8	23.05	21	527932219	22
24.8	22.05	20	527932119	21
23.8	21.05	19	527932019	20
22.8	20.05	18	527931919	19
21.8	19.05	17	527931819	18
20.8	18.05	16	527931719	17
19.8	17.05	15	527931619	16
18.8	16.05	14	527931519	15
17.8	15.05	13	527931419	14
16.8	14.05	12	527931319	13
15.8	13.05	11	527931219	12
14.8	12.05	10	527931119	11
13.8	11.05	9	527931019	10
12.8	10.05	8	527930919	9
11.8	9.05	7	527930819	8
10.8	8.05	6	527930719	7
9.8	7.05	5	527930619	6
8.8	6.05	4	527930519	5
7.8	5.05	3	527930419	4
6.8	4.05	2	527930319	3
C	B	A	MATERIAL NO.	極数 CIRCUIT

THIS DRAWING CONTAINS INFORMATION THAT IS PROPRIETARY TO MOLEX ELECTRONIC TECHNOLOGIES, LLC AND SHOULD NOT BE USED WITHOUT WRITTEN PERMISSION

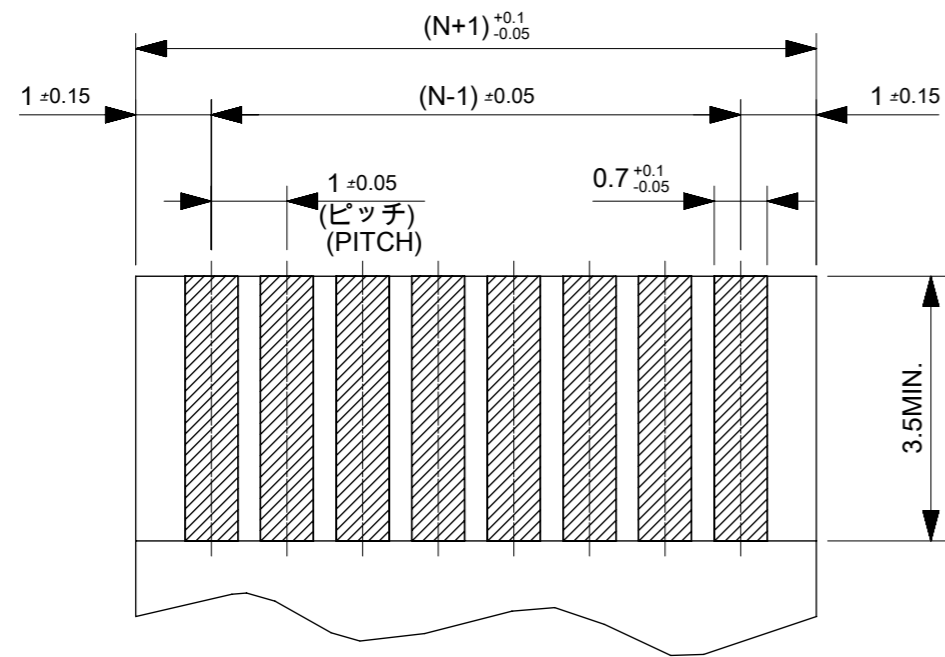
EC NO: 108819 DRWN: GB CHK'D: KTAKAHASHI APPR: TKUSUHARA01	2016/01/19	GENERAL TOLERANCES (UNLESS SPECIFIED)	DIMENSION UNITS	SCALE
	2016/09/28	ANGULAR TOL ± 3.0 °	MM	10:1
	2016/09/29	4 PLACES ± 0.2	DRWN BY	DATE
		3 PLACES ± 0.2	GB	2016/01/19
		2 PLACES ± 0.25	CHK'D BY	DATE
	1 PLACE ± 0.3	KTAKAHASHI	2016/09/28	
	0 PLACES ± 0.3	APPR BY	DATE	
		TKUSUHARA01	2016/09/29	
		DRAFT WHERE APPLICABLE MUST REMAIN WITHIN DIMENSIONS	DRAWING SIZE	THIRD ANGLE PROJECTION
			A3	

**molex**<sup>®</sup>

1.0 FFC CONN NON ZIF SMT R/A  
(UPPER CONTACT) -LEAD FREE-

PRODUCT CUSTOMER DRAWING

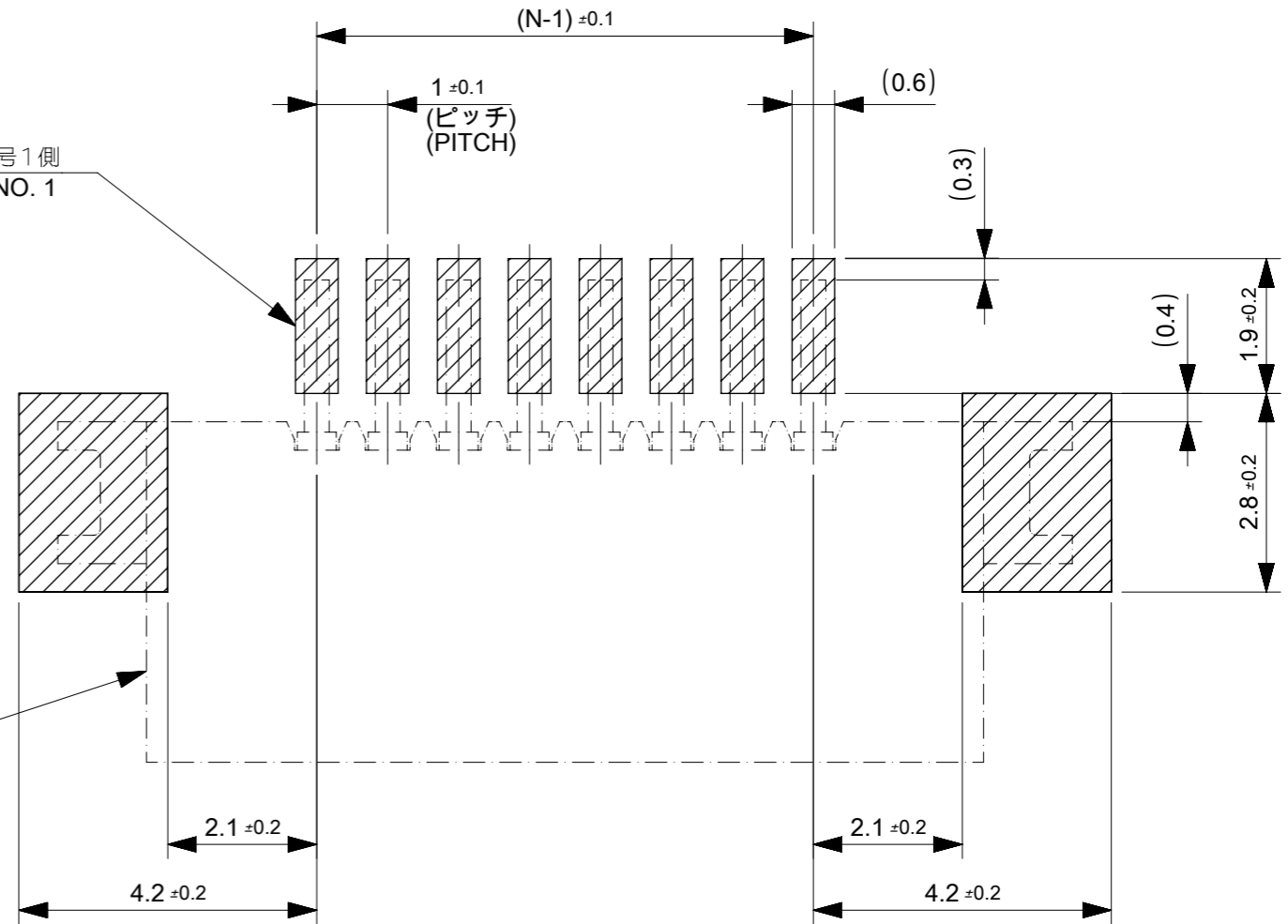
SERIES	MATERIAL NUMBER	CUSTOMER	
52793		GENERAL	
DOCUMENT NUMBER	DOC TYPE	DOC PART	SHEET NUMBER
527931000	PSD	000	1 OF 2



(仕上がり厚さ0.3 ±0.03)  
THICKNESS  
適合FPC推奨寸法  
APPLICABLE FPC  
RECOMMENDED DIMENSION

回路番号1側  
CKT. NO. 1  
SIDE

コネクタ位置  
CONNECTOR  
POSITION



参考基板レイアウト (マウント面)  
RECOMMENDED P.C. BOARD  
PATTERN DIMENSION. (REF.)  
(MOUNTING AREA)

注記 NOTES:

1. 使用材料 MATERIAL

ハウジング: PPS, UL94V-0	HOUSING: PPS, UL94V-0
ターミナル: リン青銅 (t=0.25)	TERMINAL: PHOSPHOR BRONZE
メッキ: ニッケル下地錫ピスマスメッキ	PLATING: Sn-Bi OVER Ni
金具: リン青銅 (t=0.25)	FITTING NAIL: PHOSPHOR BRONZE
メッキ: ニッケル下地純錫メッキ	PLATING: Sn OVER Ni
2. 基準面 [E] からの溶剤テールとフィッティングネイルの半田付け面のズレ量は、上方向に0.1 MAX.、下方向0.15 MAX.とする。  
MISALIGNMENT OF SOLDER TAIL AND FITTING NAIL FROM [E]  
: UPPER DIRECTION 0.1 MAX., LOWER DIRECTION 0.15 MAX..
3. 偶数極に適用。  
APPLY FOR EVEN CKT..
4. 本製品は 52793 \*\*10 の鉛フリー品である。  
THIS PRODUCT IS LEAD FREE OF 52793\*\*10.

THIS DRAWING CONTAINS INFORMATION THAT IS PROPRIETARY TO MOLEX ELECTRONIC TECHNOLOGIES, LLC AND SHOULD NOT BE USED WITHOUT WRITTEN PERMISSION

EC NO: 108819 DRWN: GB CHK'D: KTAKAHASHI APPR: TKUSUHARA01	2016/01/19	GENERAL TOLERANCES (UNLESS SPECIFIED)		DIMENSION UNITS	SCALE				
	2016/09/28	ANGULAR TOL ± 3.0 °		MM	1:1				
	2016/09/29	4 PLACES ± 0.2	3 PLACES ± 0.2	DRWN BY	DATE				
		2 PLACES ± 0.25	1 PLACE ± 0.3	GB	2016/01/19				
		0 PLACES ± 0.3	DRAFT WHERE APPLICABLE MUST REMAIN WITHIN DIMENSIONS		CHK'D BY		DATE		
				KTAKAHASHI	2016/09/28	1.0 FFC CONN NON ZIF SMT R/A (UPPER CONTACT) -LEAD FREE-			
				APPR BY	DATE				
				TKUSUHARA01	2016/09/29				
				DRAWING SIZE	THIRD ANGLE PROJECTION	PRODUCT CUSTOMER DRAWING			
				A3		SERIES	MATERIAL NUMBER	CUSTOMER	
						52793		GENERAL	
						DOCUMENT NUMBER	DOC TYPE	DOC PART	SHEET NUMBER
						527931000	PSD	000	2 OF 2