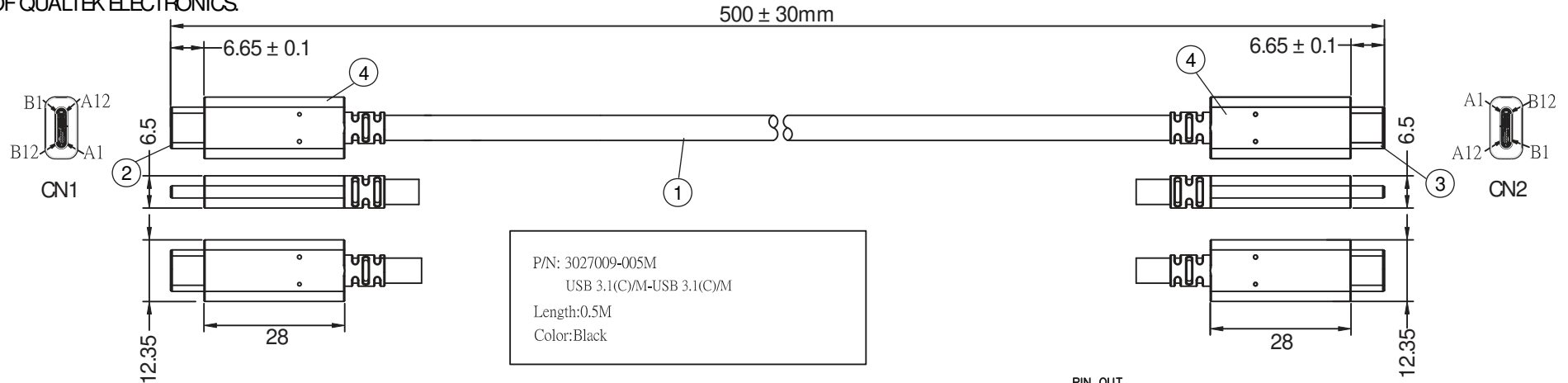


THESE DRAWINGS ARE THE PROPERTY OF QUALTEK ELECTRONICS AND NOT TO BE REPRODUCED FOR OR COMMUNICATED TO A THIRD PARTY WITHOUT THE EXPRESS WRITTEN PERMISSION OF AN OFFICER OF QUALTEK ELECTRONICS.

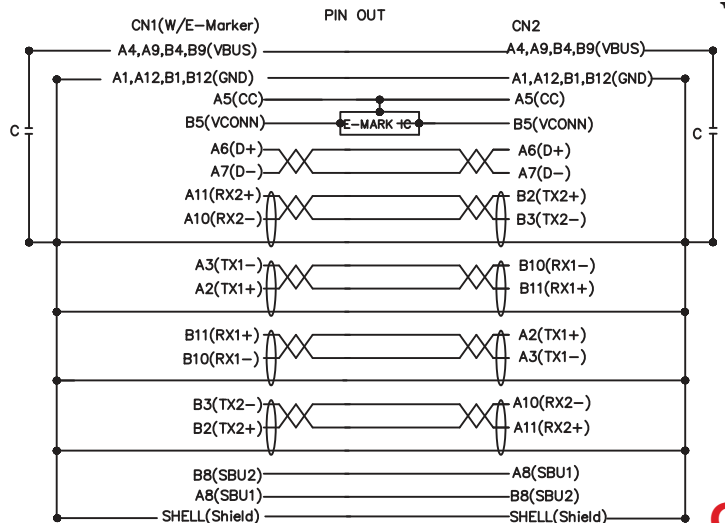
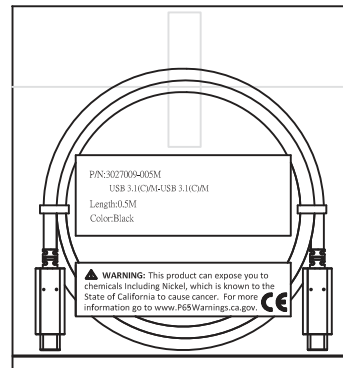
REVISION			
REV.	DESCRIPTION	DATE	APPROVED



P/N: 3027009-005M  
 USB 3.1(C)/M-USB 3.1(C)/M  
 Length:0.5M  
 Color:Black

**NOTES:**

- CABLE:**  
 (30AWG\* 1PR+ EAM)x4+ (31AWG\* 1PR+ AM)  
 +26AWGx2C+34AWGx1C+ (34AWG\* 1C+A)x3+2EAB 85%  
 PVC OUTER JACKET: BLACK, OD: 5.4 ± 0.2mm
- CONNECTOR: USB 3.1 GEN 2 TYPE C MALE**  
 INSULATOR: BLACK PBT  
 PIN GOLD PLATED  
 NICKEL PLATED SHELL
- CONNECTOR: USB 3.1 GEN 2 TYPE C MALE**  
 INSULATOR: BLACK PBT  
 PIN GOLD PLATED  
 NICKEL PLATED SHELL  
 PCB WITH E-MARKER
- MOLDED: PVC COLOR BLACK**
- ELECTRICAL TEST:**  
 <1>.100% OPEN SHORT & MISS WIRE TEST  
 <2>.HI-POT: 50V AC/0.01 SEC 50V DC/0.01 SEC  
 <3>.INSULATION RESISTANCE: 20M OHM (MIN)  
 <4>.CONDUCTIVE RESISTANCE: 3 OHM (MAX)  
 <5>.CAPACITANCE DETECTION: 40NF±20% BETWEEN A1 AND A4
- DATA TRANSFER RATE UP TO 10Gbps (NOMINAL)**
- CURRENT RATING UP TO 5A (NOMINAL)**
- VOLTAGE RATING UP TO 20V (NOMINAL)**
- PACKING: 1PC/POLYBAG W/ LABEL**



**CONTROLLED**

Dim range (mm)	Tolerance +/- (mm)	Qualtek Electronics Corp. WCI DIVISION			
		Part Number: 3027009-005M		RoHS Compliant	
0-1	0.15	Description: USB 3.1 GEN 2 (C)/M - USB 3.1 GEN 2 (C)/M			
1-6	0.20				
6-18	0.30				
18-50	0.50				
50-120	0.70				
120-250	0.90	UNIT: mm	Drawn / Date	Checked / Date	Approved / Date
250-500	1.20		R Nuti 06-04-21	06-04-21	LY / 06-04-21