

4

3

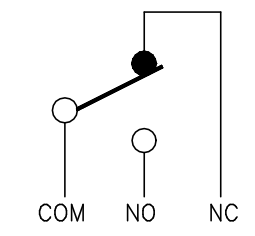
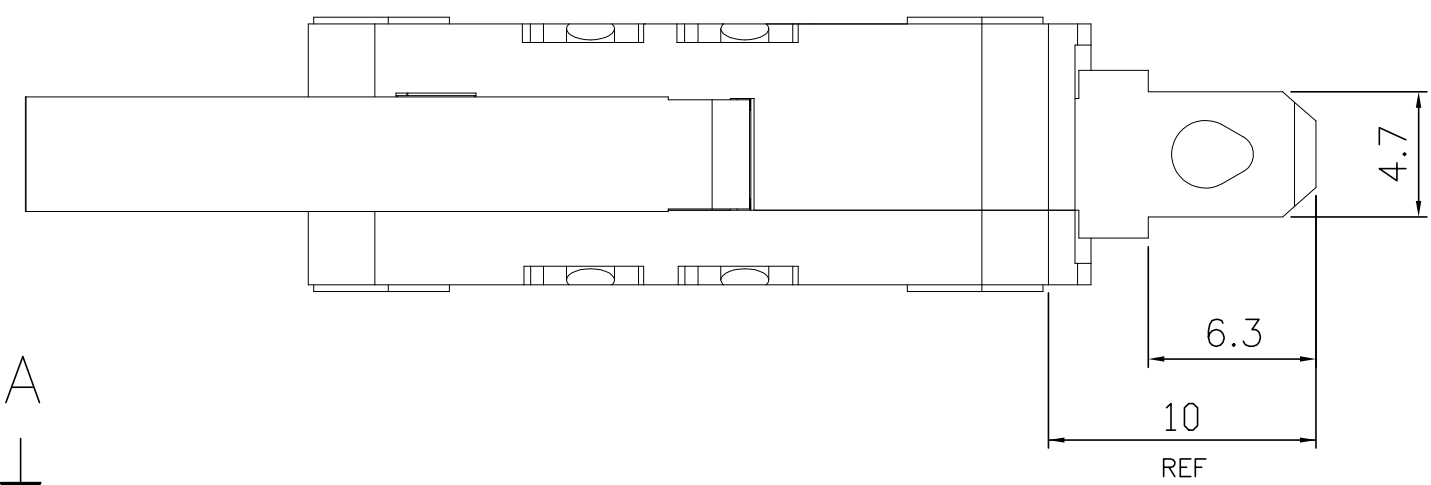
2

1

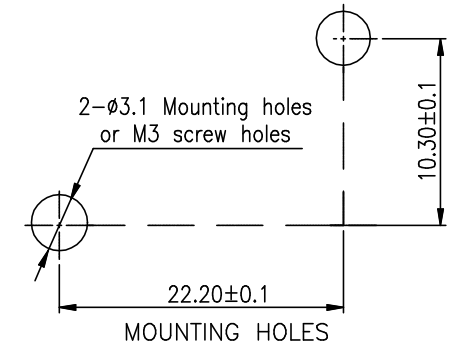
THIS DRAWING IS UNPUBLISHED. RELEASED FOR PUBLICATION
 © COPYRIGHT - TE Connectivity Ltd. ALL RIGHTS RESERVED.

REVISIONS				
P	LTR	DESCRIPTION	DATE	APVD
1		NEW DRAWING	09MAY2019	GCM AS

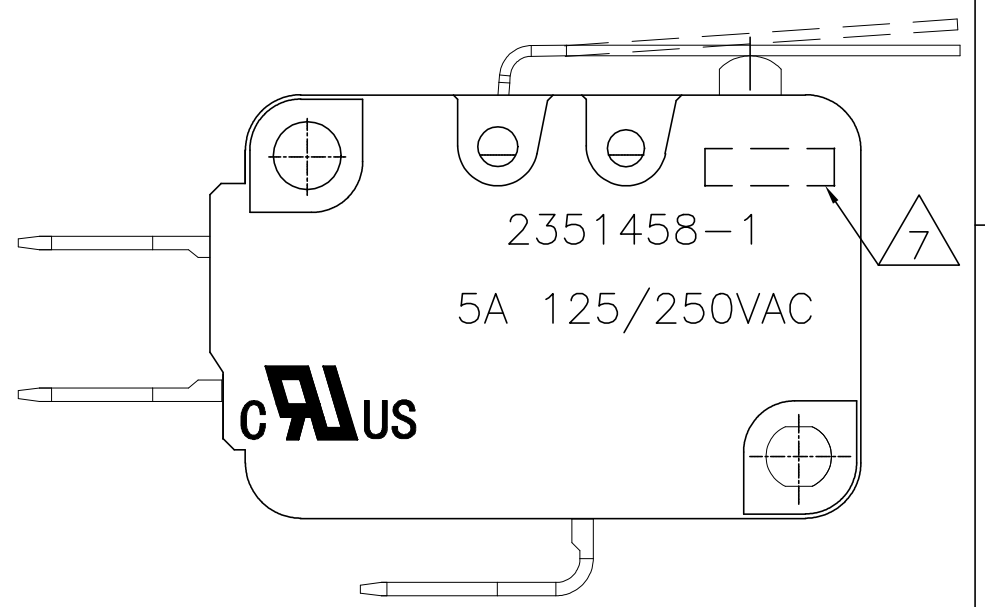
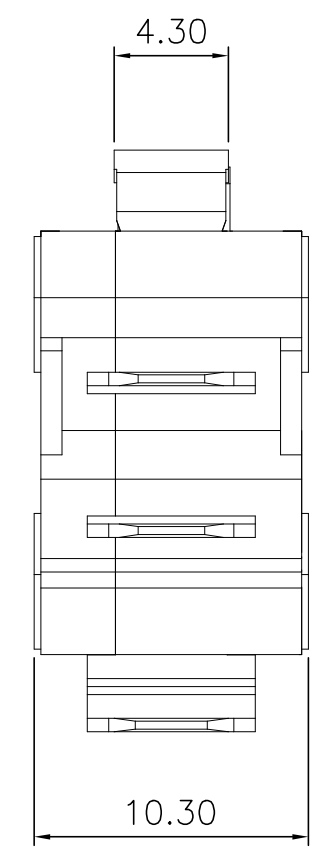
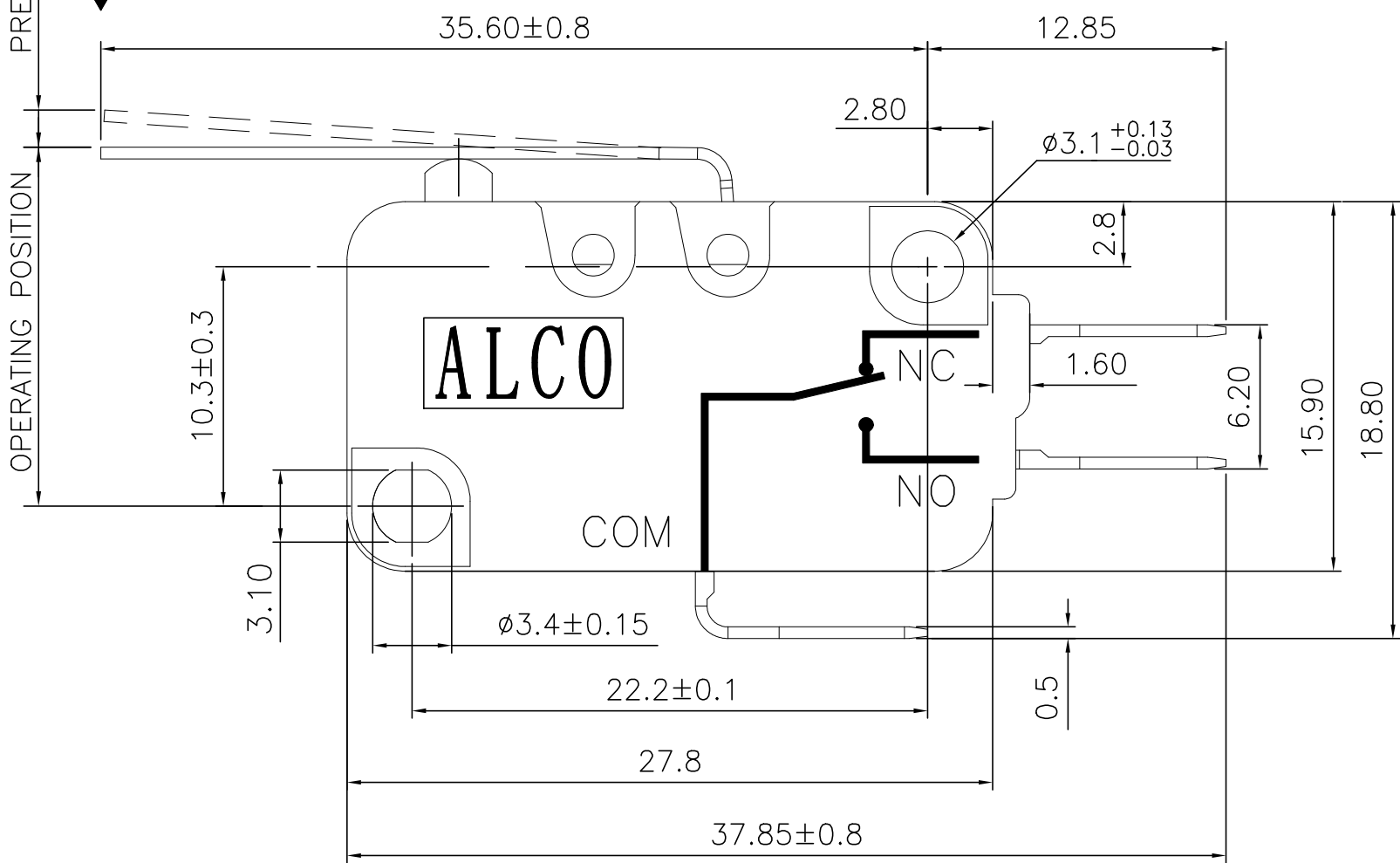
APPLICABLE FOR TE P/N
2351458-1



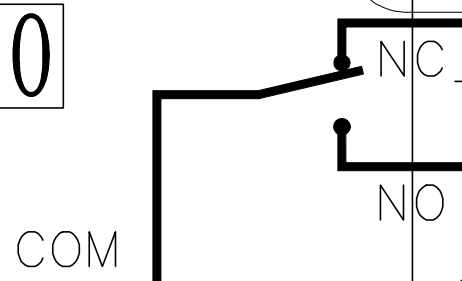
CIRCUIT DIAGRAM
 SOLDER TERMINAL
 AS SHOWN



PRE TRAVEL
 OPERATING POSITION



ALCO



PRELIMINARY

THIS DRAWING IS A CONTROLLED DOCUMENT.		DWN GANESH C M 09MAY2019	TE Connectivity Ltd.	
DIMENSIONS: mm		CHK ALEXANDER SHARPE 09MAY2019		
TOLERANCES UNLESS OTHERWISE SPECIFIED:		APVD ALEXANDER SHARPE 09MAY2019	NAME SWITCH, SUBMINIATURE SLD SNAP ACTION, HINGE LEVER	
0 PLC ± - 1 PLC ± 0.4 2 PLC ± 0.4 3 PLC ± - 4 PLC ± - ANGLES ± -		PRODUCT SPEC -	RESTRICTED TO -	
MATERIAL -		FINISH -	APPLICATION SPEC -	SIZE A3
		WEIGHT -	CAGE CODE 00779	DRAWING NO C-2351458
CUSTOMER DRAWING			SCALE NTS	SHEET 1 of 3
			REV 1	

4

3

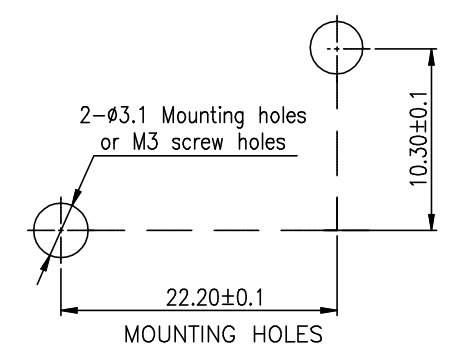
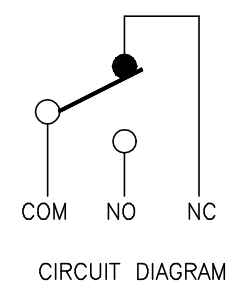
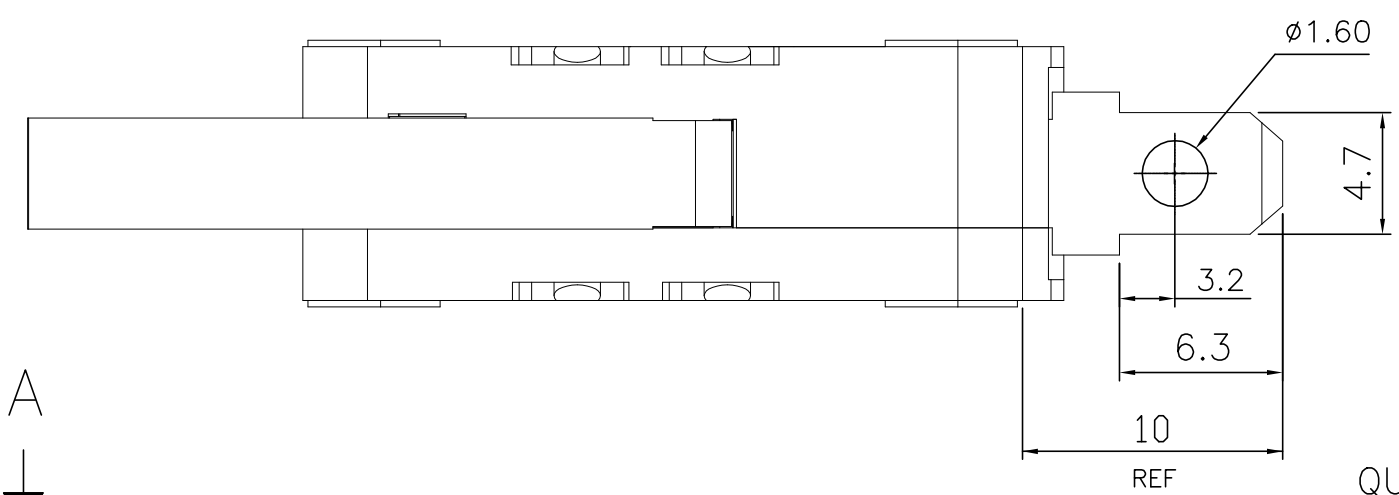
2

1

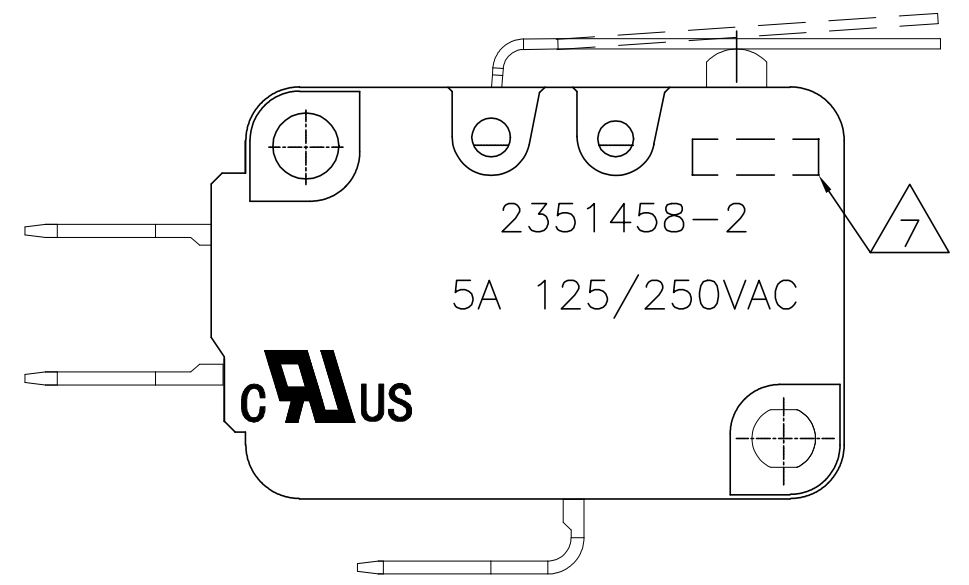
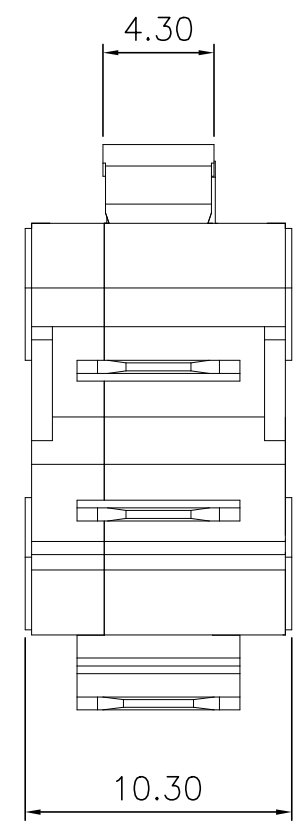
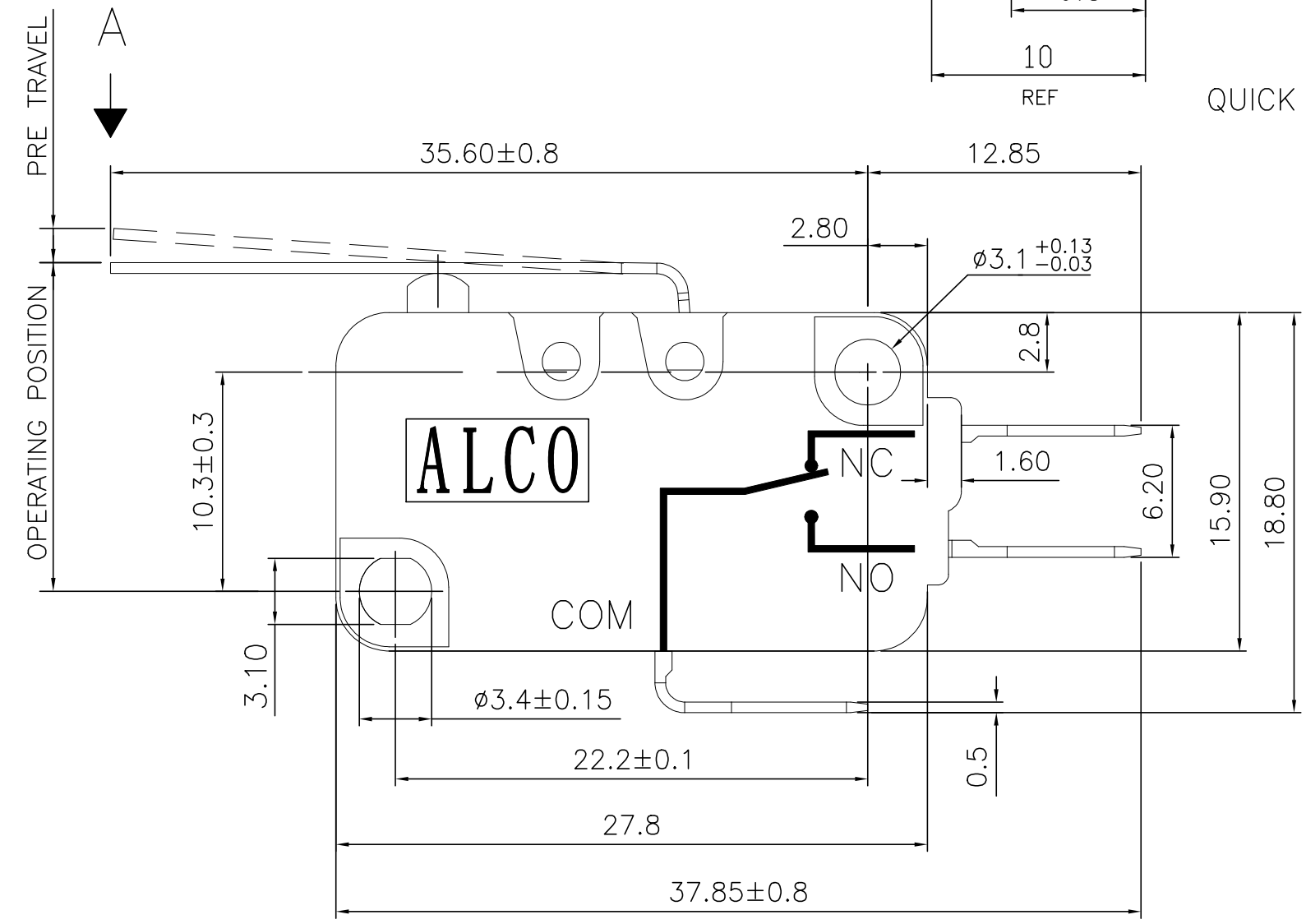
THIS DRAWING IS UNPUBLISHED. RELEASED FOR PUBLICATION
 © COPYRIGHT - TE Connectivity Ltd. ALL RIGHTS RESERVED.

REVISIONS					
P	LTR	DESCRIPTION	DATE	DWN	APVD
-	-	SEE SHEET 1	-	-	-

APPLICABLE FOR TE P/N
2351458-2



QUICK CONNECT TERMINAL AS SHOWN



THIS DRAWING IS A CONTROLLED DOCUMENT.		DWN GANESH C M 09MAY2019	TE Connectivity Ltd.			
DIMENSIONS: mm		CHK ALEXANDER SHARPE 09MAY2019				
TOLERANCES UNLESS OTHERWISE SPECIFIED:		APVD ALEXANDER SHARPE 09MAY2019	NAME SWITCH, SUBMINIATURE SLD SNAP ACTION, HINGE LEVER			
0 PLC ± - 1 PLC ± 0.4 2 PLC ± 0.4 3 PLC ± - 4 PLC ± - ANGLES ± - MATERIAL - FINISH -		PRODUCT SPEC - APPLICATION SPEC - WEIGHT -	SIZE A3	CAGE CODE 00779	DRAWING NO C-2351458	RESTRICTED TO -
CUSTOMER DRAWING			SCALE NTS	SHEET 2 of 3	REV 1	

PRELIMINARY

THIS DRAWING IS UNPUBLISHED.

RELEASED FOR PUBLICATION

REVISIONS

© COPYRIGHT - TE Connectivity Ltd.

ALL RIGHTS RESERVED.

P	LTR	DESCRIPTION	DATE	DWN	APVD
-	-	SEE SHEET 1	-	-	-

NOTES:

- OPERATING CHARACTERISTICS ARE FOR OPERATION IN THE A DIRECTION ↓
- PACKAGING:
SWITCHES ARE BULK PACKAGED IN BAGS, 50 SWITCHES PER BAG, 20 BAGS PER BOX.
- COMPLIANCE:
THE CURRENT STATEMENT OF COMPLIANCE IS AVAILABLE AT TE.COM.
- MATERIAL AND FINISH:
COVER: THERMOPLASTIC, BLACK
BASE: THERMOPLASTIC, BLACK
BUTTON: THERMOPLASTIC, BLACK
CONTACTS: SILVER ALLOY, SILVER PLATED
TERMINALS: BRASS, SILVER PLATED
MOVING PLATE: BRASS, SILVER PLATED
SPRING PLATE: COPPER ALLOY
ACTION ARM: BRASS, SILVER PLATED
LEVER: STAINLESS STEEL
- SPECIFICATIONS:
CURRENT RATING: SEE TABLE
CONTACT RESISTANCE: 100mΩ MAXIMUM, INITIAL, AT FREE POSITION AND TOTAL TRAVEL POSITION, ACTUATE 3 TIMES BEFORE MEASUREMENT.
INSULATION RESISTANCE: 100MΩ MINIMUM, INITIAL, @ 500 V DC, 1 MINUTE
DIELECTRIC WITHSTANDING VOLTAGE, BETWEEN TERMINALS OF THE SAME POLARITY: 600 V AC, 50 TO 60 HZ FOR 1 MINUTE
DIELECTRIC WITHSTANDING VOLTAGE, BETWEEN EACH TERMINAL AND GROUND: 1500 V AC, 50 TO 60 HZ FOR 1 MINUTE
DIELECTRIC WITHSTANDING VOLTAGE, BETWEEN EACH TERMINAL AND NON-CURRENT CARRYING METAL PART: 1500 V AC, 50 TO 60 Hz FOR 1 MINUTE
INGRESS PROTECTION: IP40
- SOLDER PROCESS:
MANUAL SOLDERING: 350°C, 3 SECONDS MAXIMUM, 30 TO 40 WATTS. PREVENT SOLDER AND FLUX CONTACTING THE SWITCH BODY.
DO NOT OPERATE THE SWITCH DURING THE FIRST MINUTE AFTER SOLDERING.

△ DATE CODE:

① ② ③ ④

①	DAY	01 TO 31
②	MONTH	1 TO 9,X,Y,Z (X=10,Y=11,Z=12)
③	YEAR	00 TO 99
④	OTHER	N/A

8. CERTIFICATION: **CAUS**

SILVER	SPDT	5,000,000 CYCLES, MINIMUM	100,000 CYCLES, MINIMUM	-40 TO +85°C/85% RELATIVE HUMIDITY MAXIMUM	-40 TO +85°C/60% RELATIVE HUMIDITY MAXIMUM	0.8 MAXIMUM	1.6 MINIMUM	15.2±1.2	4.0 MAXIMUM	6 gf MINIMUM	30 gf MAXIMUM	5A, 125VAC 5A, 250VAC	MOMENTARY	QUICK CONNECT, #187	SAJ35XXHL0N49SDTFAQ	2351458-2
														SOLDER	SAJ35XXHL0N49SDTSEQ	2351458-1
CONTACT FINISH	CONTACT FORM	MECHANICAL LIFE	ELECTRICAL LIFE	STORAGE TEMPERATURE RANGE/HUMIDITY RANGE	OPERATING TEMPERATURE RANGE/HUMIDITY RANGE	MOVEMENT DIFFERENTIAL	OVER TRAVEL	OPERATING POSITION	PRETRAVEL	RELEASE FORCE	OPERATING FORCE	CURRENT RATING	CONTACT CONFIGURATION	TERMINAL TYPE	TE SMART PART NUMBER	PART NUMBER

THIS DRAWING IS A CONTROLLED DOCUMENT.

DWN 09MAY2019

CHK GANESH C M

09MAY2019

ALEXANDER SHARPE

APVD 09MAY2019

ALEXANDER SHARPE

PRODUCT SPEC

APPLICATION SPEC

WEIGHT -

CUSTOMER DRAWING



TE Connectivity Ltd.

NAME SWITCH, SUBMINIATURE SLD SNAP ACTION, HINGE LEVER

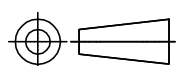
SIZE CAGE CODE DRAWING NO RESTRICTED TO

A3 00779 C=2351458

SCALE NTS SHEET 3 of 3 REV 1

DIMENSIONS:

mm



TOLERANCES UNLESS OTHERWISE SPECIFIED:

0 PLC	± -
1 PLC	± 0.4
2 PLC	± 0.4
3 PLC	± -
4 PLC	± -
ANGLES	± -

MATERIAL -

FINISH -

PRELIMINARY