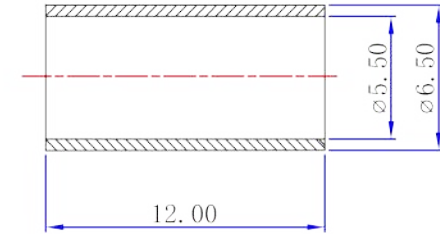
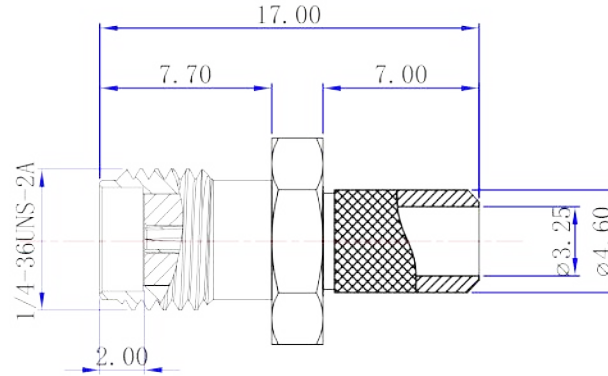
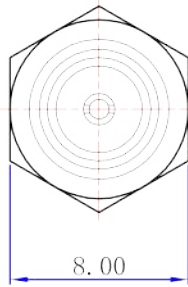




Product NO. BC-302-195

REV	DESCRIPTION	DWN	DATE	APPROVEN
R1.0	First issue	Gavin	2021/03/09	JIM.KING



**Specifications:**

IMPEDANCE: 50 Ohms  
 Frequency range: 0~6GHZ  
 VSWR: 1.5MAX  
 Working voltage: 500V rms @ sea level  
 Insulation resistance: 5000 MOhms min  
 Temperature range: -55°C TO +165°C

No	Connector color
BC-302-195-RD	Body electrophoresis: Red
BC-302-195-BL	Body electrophoresis: Blue
BC-302-195-BK	Body electrophoresis: Black

-TOLERANCES-  
UNLESS OTHERWISE  
SPECIFIED

UNLESS OTHERWISE SPECIFIED  
TOLERANCES FOR MILLIMETERS ARE:  
0.5 - 8mm ± 0.20mm  
8 - 30mm ± 0.25mm  
30 - 120mm ± 0.30mm

## BIG CAT CABLES

PART DESCRIPTION: SMA JACK FOR LMR195 CABLE	
Appd: JIM.KING	P/N: BC-302-195
Check:	Date
Draw: Gavin	2021.03.09
Scale	Unit
Free	MM
Type	Page
Z	1/1

NO	DESCRIPTION	MATERIAL	FINISH	QTY
4	Copper pipe	BRASS	NICKEL	1
3	CONTACT PIN	BRASS	GOLD	1
2	INSULATOR	PTFE	NINE	1
1	BOOY	BRASS	Electrophoresis	1