

CN-LAMBDA/4-0.47-...



COAXTRAB Surge Voltage Protection for Mobile Phone and Radio Relay Systems

TRABTECH

Data Sheet

2618_en_B

© PHOENIX CONTACT - 4/2009

1 Description

The CN-LAMBDA/4-0.47-... with N-type connector protects radio devices against surge voltage. Placed on both sides of the device being protected, transient voltages are prevented from damaging equipment. With its high energy-absorbing capacity, the CN-LAMBDA/4-0.47-... greatly reduces system failure when using exposed antenna systems.

The Lambda/4 technology provides excellent protection with limited signal degradation. Compatible with 0.38 to 0.47 GHz signals, the adapter is ideal for protecting mobile and cordless phones and satellite location systems.

For maximum protection, install a CN-LAMBDA/4-0.47-... at each coaxial input and output connection to a device to protect against both lightning strikes and transient voltage picked up by the cable. The adapter includes a seal for mounting through a 16 mm diameter hole in a bulkhead. An optional mounting bracket allows mounting to a plate. Grounding is through the bulkhead or optional bracket.

Phoenix Contact offers a full line of surge protection products. For additional information, visit our website at www.phoenixcon.com/trabtech.

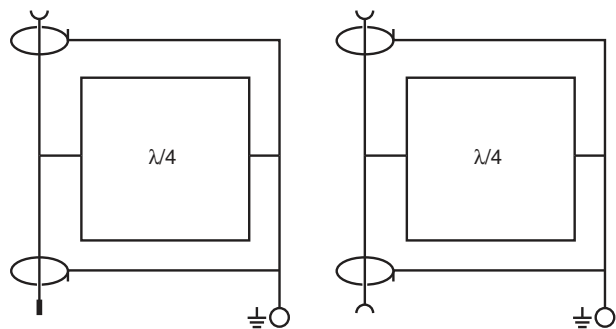


Figure 1 Function Diagrams

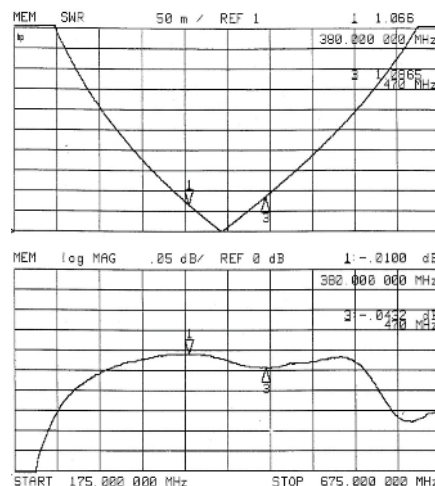


Figure 2 Typical VSWR and Insertion Loss



Make sure you always use the latest documentation. It can be downloaded at www.phoenixcontact.net/download.



This data sheet is valid for all products listed on the following page:

2 Ordering Data

Products

Description	Type	Order No.	Pcs./Pkt
COAXTRAB, Protective adapter for antenna connection, socket-socket connector	CN-LAMBDA/4-0.47-BB	2800021	1
COAXTRAB, Protective adapter for antenna connection, plug-socket connector	CN-LAMBDA/4-0.47-SB	2800022	1

Accessories

Description	Type	Order No.	Pcs./Pkt
CN-UB Assembly Bracket, 90°, 50 mm	CN-UB/MP-90DEG-50	2803137	1

3 Technical Data

General Data

Weight	140 g (0.31 lb.)
Degree of protection	IP 68

RF Specifications

Frequency	0.38-0.47 GHz
VSWR (typical/maximum)	1.05/1.15
Insertion loss (typical/maximum)	0.05/0.10 dB
Return loss (typical/maximum)	-32.2/-23.1 dB
RF Power	0.8 kW _{AVG} / 4 kW _{PK}

Surge Protection

Maximum discharge surge current I_{max} (8/20 μ s waveform)	30 kA _{PK}
Nominal discharge surge current I_n (8/20 μ s waveform)	20 kA
Let-through V_{PK}/μ J (8/20 μ s waveform)	55 V/250 μ J @ 6 kV/3 kA
I_{imp} (10/350 μ s waveform)	15 kA

Approvals

CE	EN
----	----

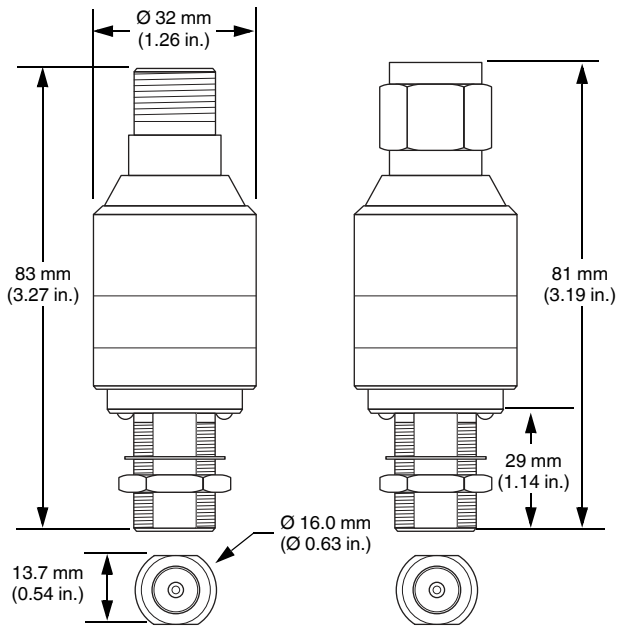


Figure 3 CN-LAMBDA/4-0.47-... dimensions

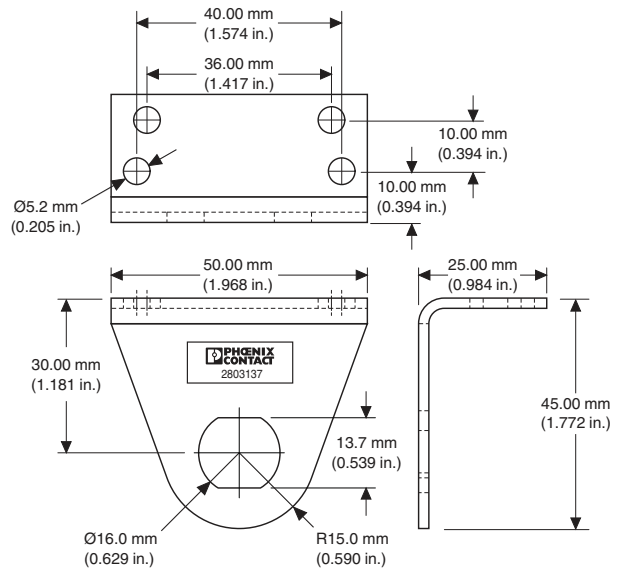


Figure 4 CN-UB/MP-90DEG-50 dimensions