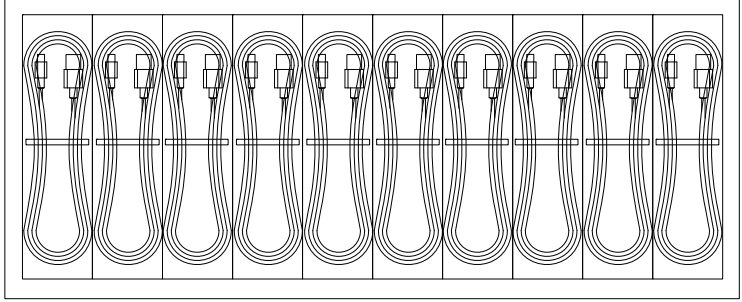
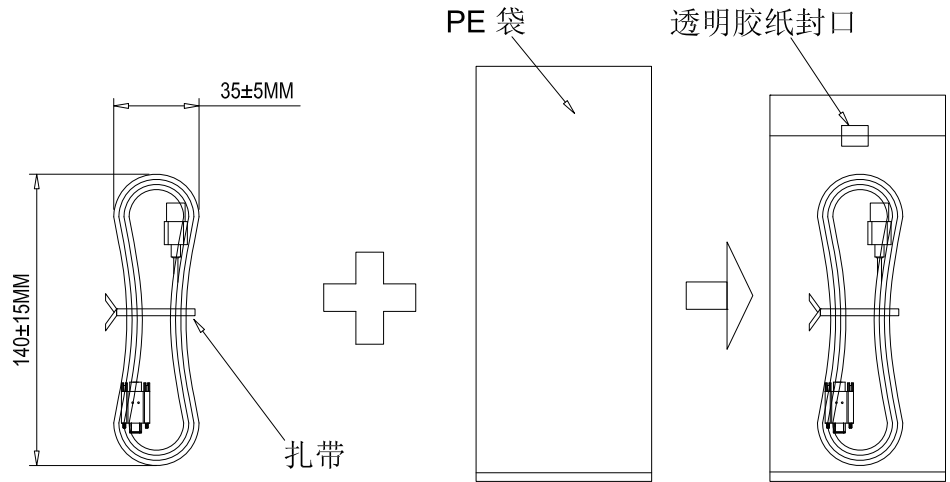
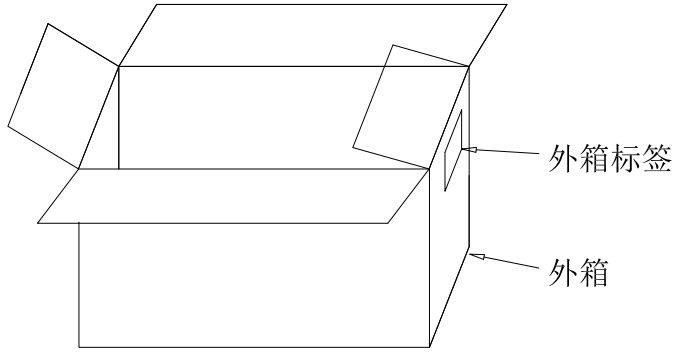


REVISIONS				
EC NO	DATE	REV	DESCRIPTION	CHANGER
NA	2018/9/8	1	INITIAL RELEASE	Kevin



俯视图



E	外箱标签 (客供) 125*75mm 白底黑字	PCS	1
D	纸箱 K=K 内尺寸L363*W176*H176mm 箱体印红字	PCS	1
C	隔板 A3A L362*W175*T3	PCS	2
B	L200*W50*T0.05mm (W开口) 透明色	PCS	1
A	黑色PE扎带 带铁芯 L=80MM	PCS	1
ITEM	MATERIAL DESCRIPTION	UNIT	Q'TY

- 说明:
1. 产品绕线尺寸如图所示，两个插头在同一边，藏中间；
  2. 产品1PCS装PE袋，然后折叠用透明胶带封口；
  3. 产品装箱45PCS/层，装2层，共计90PCS/箱，每层间各放隔板1PCS.
  4. 外箱一个侧唛贴外箱标签1PCS (注意对应客户料号).

QUALITY SYMBOLS					THIS DRAWING CONTAINS INFORMATION THAT IS PROPRIETARY TO MOLEX ELECTRONIC TECHNOLOGIES, LLC AND SHOULD NOT BE USED WITHOUT WRITTEN PERMISSION				
▽ = 0	▽ = 0	▽ = 0	▽ = 0	▽ = 0	GENERAL TOLERANCES (UNLESS SPECIFIED)	DIMENSION UNITS	SCALE		
▽ = 0	▽ = 0	▽ = 0	▽ = 0	MM		DATE			
▽ = 0	▽ = 0	▽ = 0	▽ = 0	ANGULAR TOL ±1.0		DRWN BY	DATE		
▽ = 0	▽ = 0	▽ = 0	▽ = 0	4 PLACES ±		Kevin li	2018/09/08		
▽ = 0	▽ = 0	▽ = 0	▽ = 0	3 PLACES ±	2 PLACES ±	1 PLACE ±	0 PLACES ±	CHK'D BY	DATE
▽ = 0	▽ = 0	▽ = 0	▽ = 0	▽ = 0	APPR BY	DATE	PRODUCT DESIGN DRAWING		
▽ = 0	▽ = 0	▽ = 0	▽ = 0	▽ = 0	ED I	2018/09/08	SERIES	MATERIAL NUMBER	CUSTOMER
▽ = 0	▽ = 0	▽ = 0	▽ = 0	▽ = 0	EC NO: A	DRWN: A	CHK'D: A	2038000026	
▽ = 0	▽ = 0	▽ = 0	▽ = 0	▽ = 0	REV: A	APPR: A	DRAFT WHERE APPLICABLE MUST REMAIN WITHIN DIMENSIONS	DRAWING SIZE	THIRD ANGLE PROJECTION
▽ = 0	▽ = 0	▽ = 0	▽ = 0	▽ = 0			A4		
▽ = 0	▽ = 0	▽ = 0	▽ = 0	▽ = 0				DOCUMENT NUMBER	DOC TYPE
▽ = 0	▽ = 0	▽ = 0	▽ = 0	▽ = 0				2038000026	PDD
▽ = 0	▽ = 0	▽ = 0	▽ = 0	▽ = 0				DOC PART	SHEET NUMBER
▽ = 0	▽ = 0	▽ = 0	▽ = 0	▽ = 0				000	1 OF 1