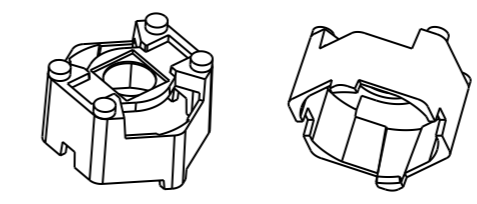
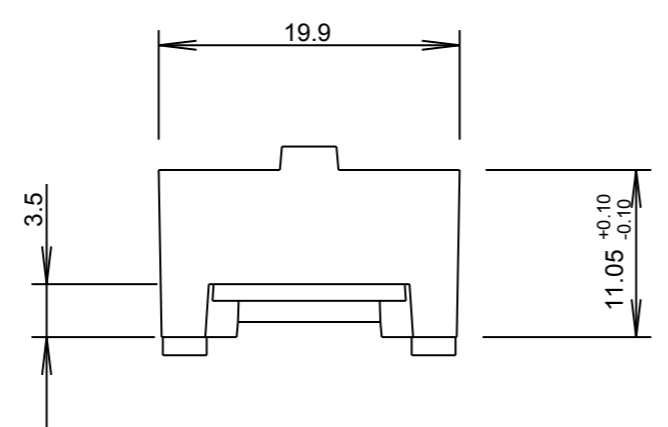
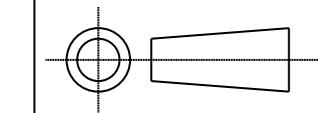


CUSTOMER DRAWING

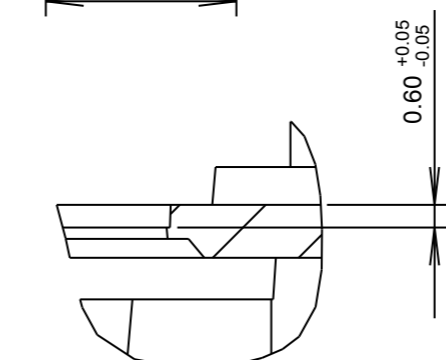
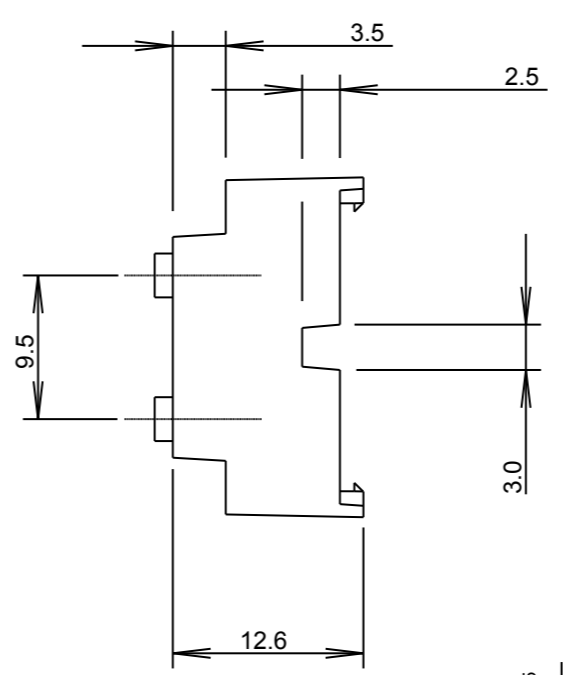
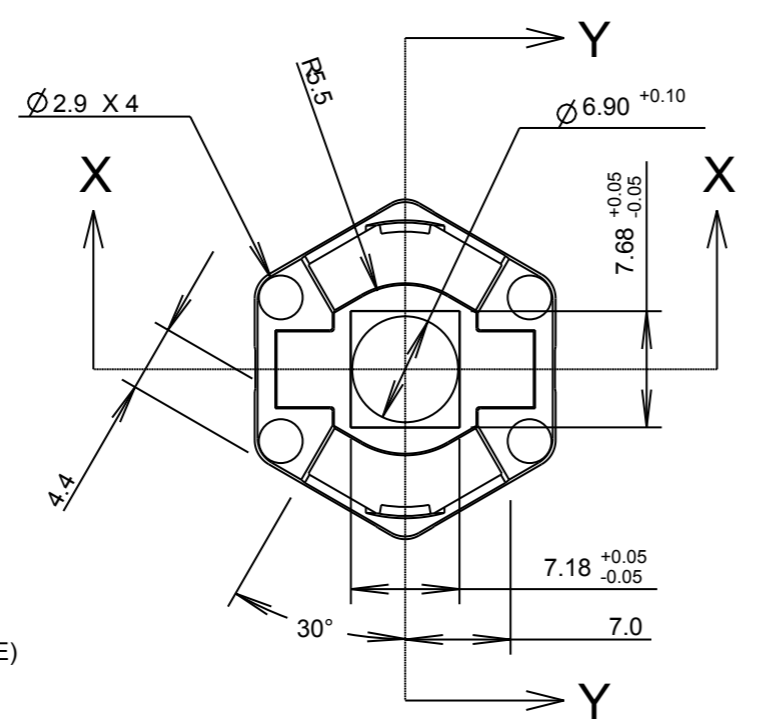
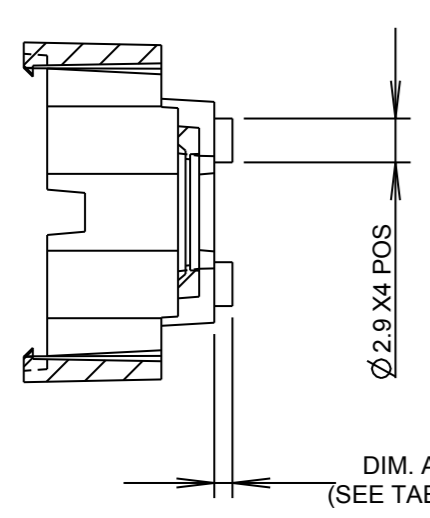
©2008 CARCLO
ALL DIMENSIONS IN mm

ISS.	DATE	E.C.N.	DESCRIPTION
1	21-Aug-07		FIRST ISSUE
2	23-May-08	05/08/1222	LED HOLE DIAMETER INCREASED FROM 6.8 TO 6.9. POSN REF. 4D. RECTANGULAR RECESS ADDED 7.18 x 7.68. POSN REF. 4D.
3	17-Jul-08	07/08/1228	TWO LUGS REMOVED FROM UNDER SIDE. POSN. REF. D4

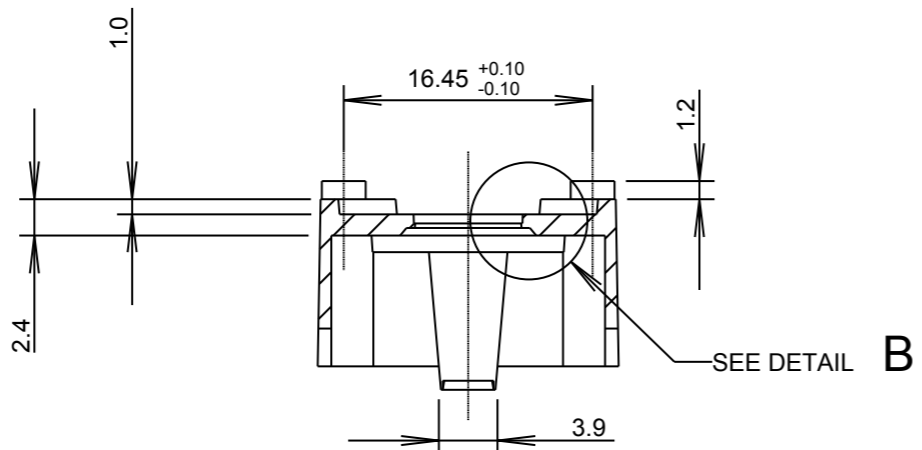


3D VIEWS
SCALE 1:1

SECTION Y-Y



DETAIL B
SCALE 5:1



SECTION X-X


carclo
 technical plastics
CARCLO TECHNICAL PLASTICS (SLOUGH) LTD.
 111 BUCKINGHAM AVE, SLOUGH
 SL1 4PF, ENGLAND
 TEL: +44 1753 575011 FAX: +44 1753 811359
 email: design@coil.co.uk

GENERAL TOLERANCES (UNLESS STATED)

LINEAR		ANGULAR	
X	+/- 0.25	X	+/- 1°
X.X	+/- 0.1	X.X	+/- 0.5°
X.XX	+/- 0.05	X.XX	+/- 0.1°

CUSTOMER

TITLE
20MM DIA LED OPTIC HOLDER
FOR CREE XR STAR BOARD

DRAWN **AJD** DATE **21-Aug-07**

CHK'D DATE

APP'D DATE

SCALE **2:1** COIL PART No. **SEE TABLE**

PART No.	DIM. A	MATERIAL
10425	1.2	BLACK POLYCARBONATE
10426	1.2	CLEAR POLYCARBONATE
10427	1.2	WHITE POLYCARBONATE
10428	0.0	BLACK POLYCARBONATE
10429	0.0	CLEAR POLYCARBONATE
10430	0.0	WHITE POLYCARBONATE

SIZE **A3** COIL DRG. No. **60489** SHEET **1 OF 1**