

THIS DRAWING IS UNPUBLISHED.

RELEASED FOR PUBLICATION

© COPYRIGHT 19-

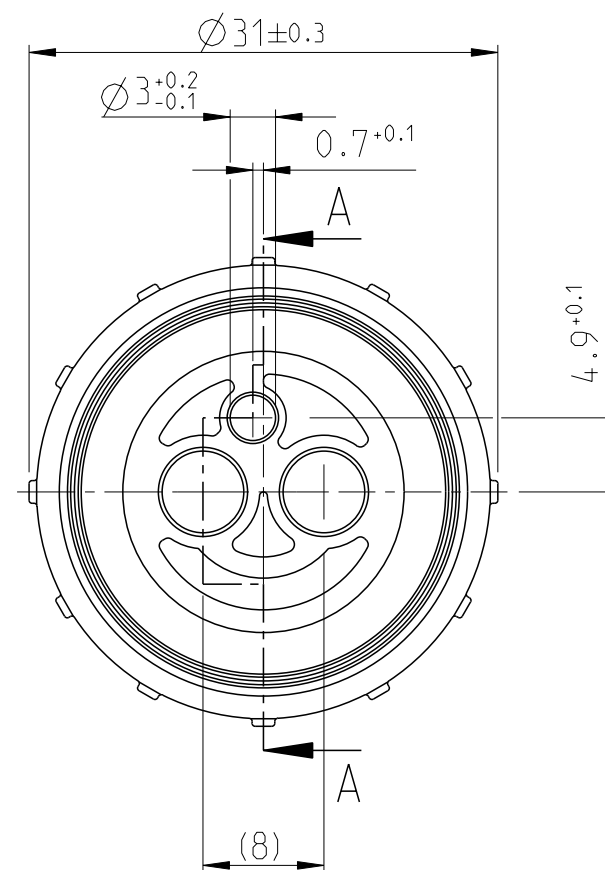
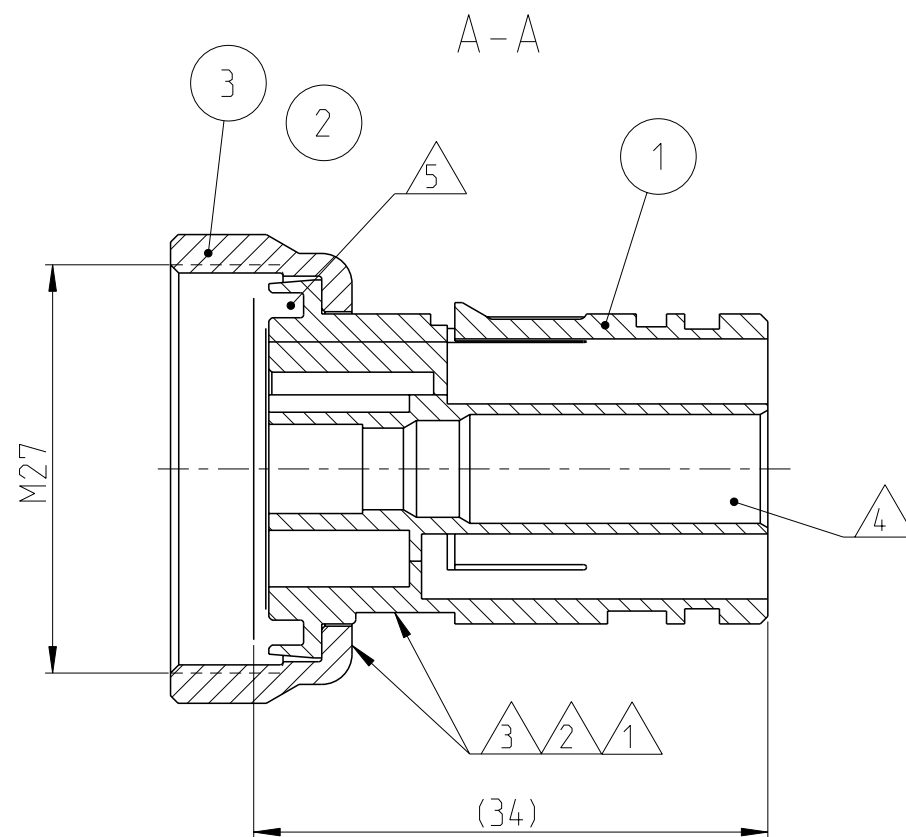
ALL RIGHTS RESERVED.

LOC
FM

DIST
-

REVISIONS

P	LTR	DESCRIPTION	DATE	DWN	APVD
C		EH-0589-96	22MAY1996	JZ	JJ
D		EH-0848-96	22JUL1996	DK	JJ
D1		ECR-11-019959	02NOV2011	GN	GB
D2		ECR-13-014597	21JAN2014	GB	SzG



NOTES:

- 1 TRADEMARK PER SPEC. 115-19030-3
- 2 TE-IDENTIFICATION NUMBER ACC. DIN 1451 MITTLESCHR. HEIGHT 1.2
- 3 TE-MOLD IDENTIFICATION NUMBER
- 4 CAVITY FOR;
 - 1. 4mm. SOCKET CONTACT WIRE SIZE 0.5-4mm² SEE DRAWING NR.962952-1 NR.962954-1 NR.962956-1
 - 2. SCAT SEE DRAWING NR.963243-1 NR.963244-1
- 5 SEAL BONDED IN INSERT.

-1 AS SHOWN
-2 WITHOUT NUT 100295-1

PBT	NUT M27	BLACK	100295-1	3
SILICON RUBBER	SEALING RING	BLACK	100293-1	2
PBT	2-POS. HOUSING	BLACK	100288-1	1
MATERIAL	DESCRIPTION	COLOUR/FINISH	PART NO	ITEM

THIS DRAWING IS A CONTROLLED DOCUMENT.		DWN J.V.LIEMPT 10FEB1992		
DIMENSIONS: mm		CHK R.O.T.BERG		
TOLERANCES UNLESS OTHERWISE SPECIFIED:		APVD L.V.SOEST	NAME ASSY 2 POS. HOUSING FOR 4mm. SOCKET CONTACT M27 VERSION	
0 PLC ± 1 PLC ±0.2 2 PLC ±0.02 3 PLC ±0.005 4 PLC ± ANGLES ±°		PRODUCT SPEC	RESTRICTED TO	
MATERIAL -		APPLICATION SPEC	SIZE A3	CAGE CODE 00779
FINISH -		WEIGHT -	DRAWING NO C=100284	REV D2
CUSTOMER DRAWING			SCALE 2:1	SHEET 1 OF 1