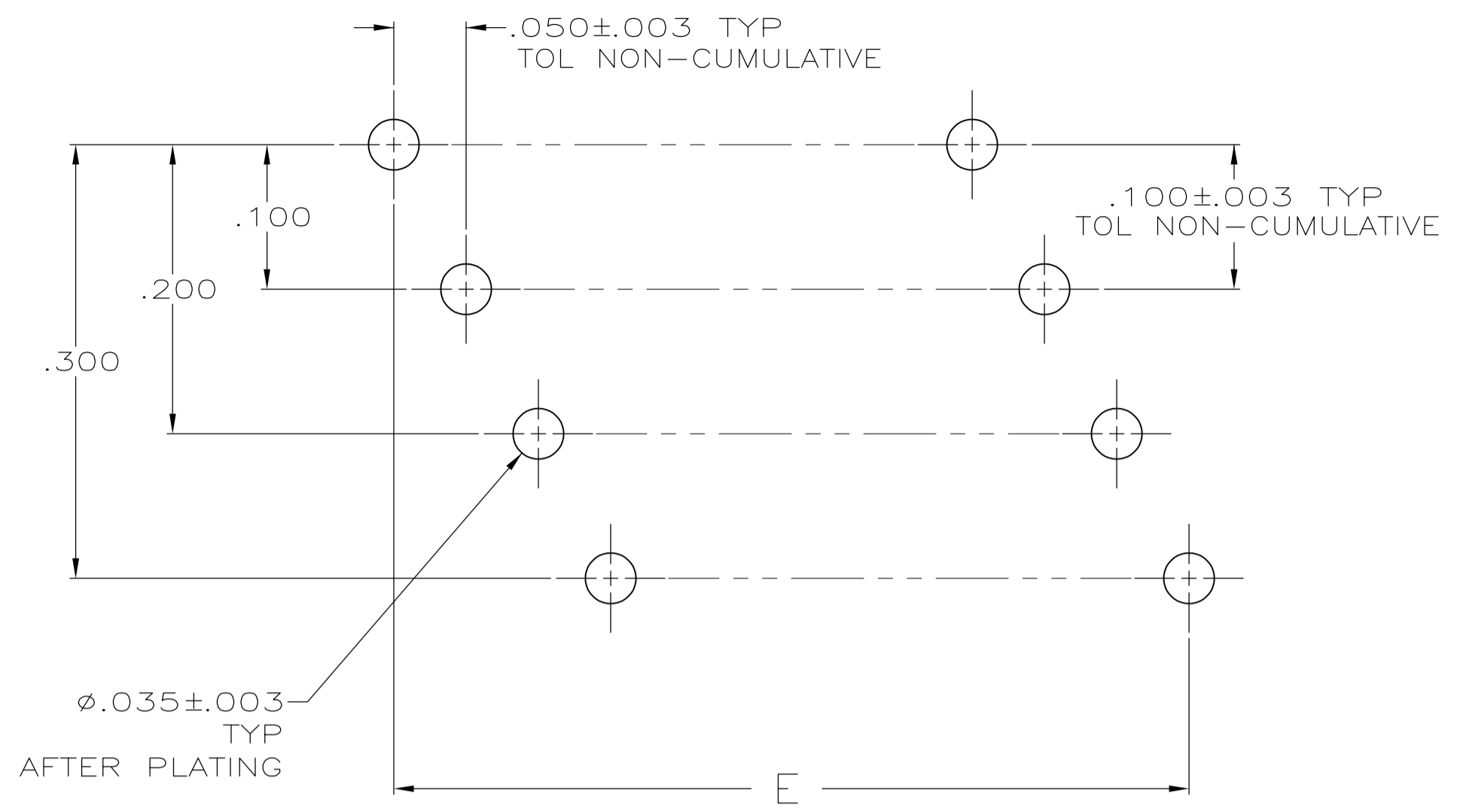
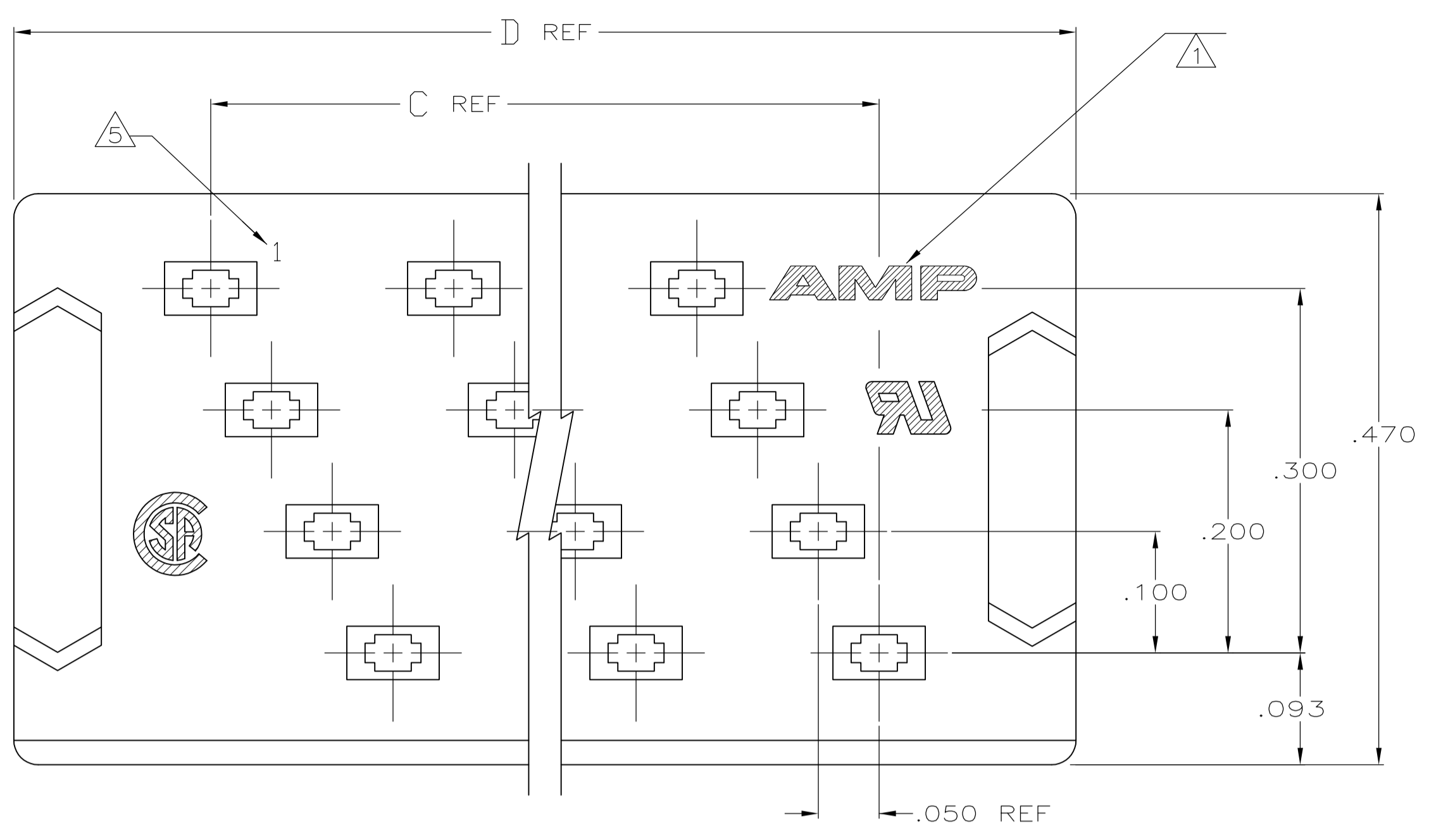
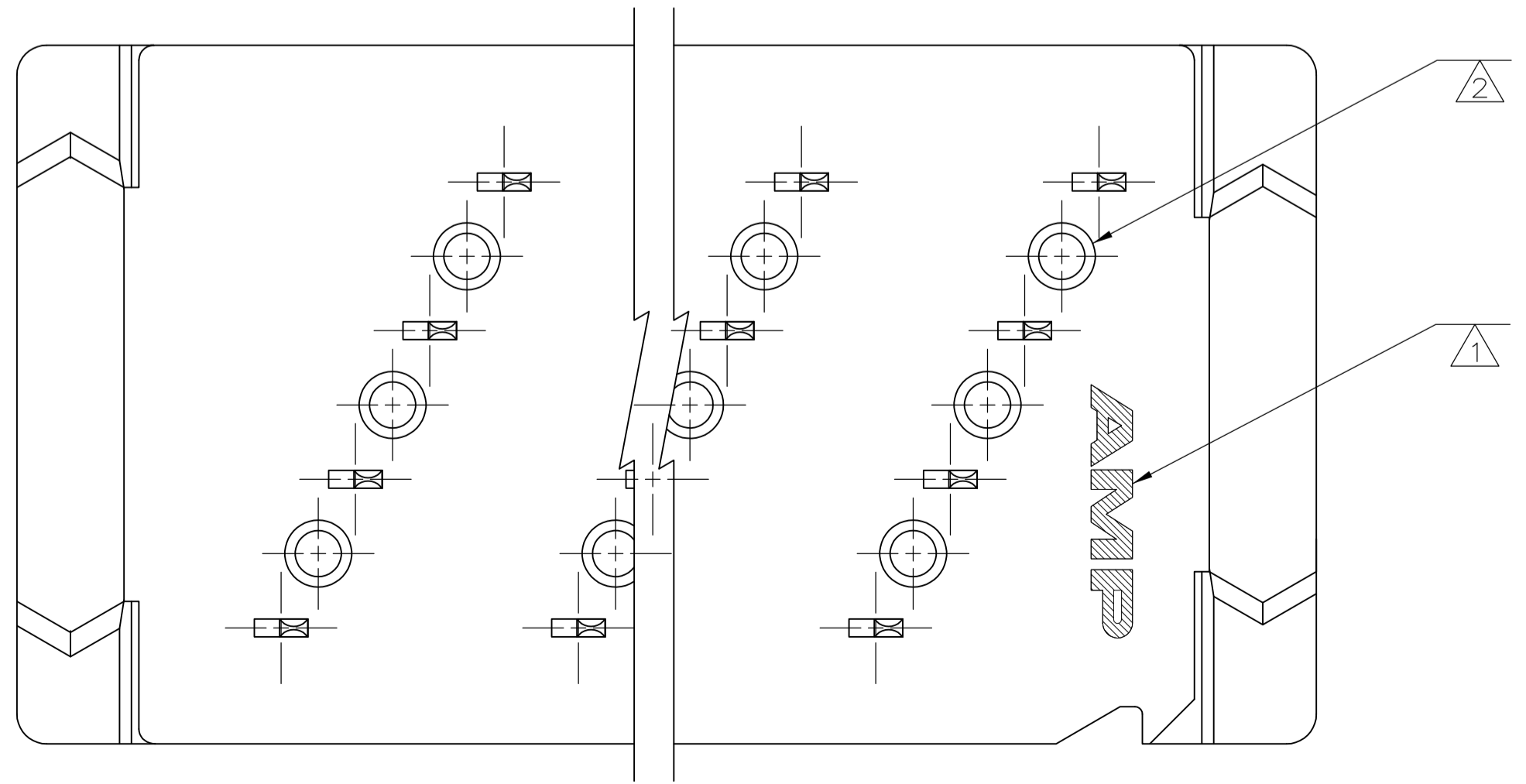
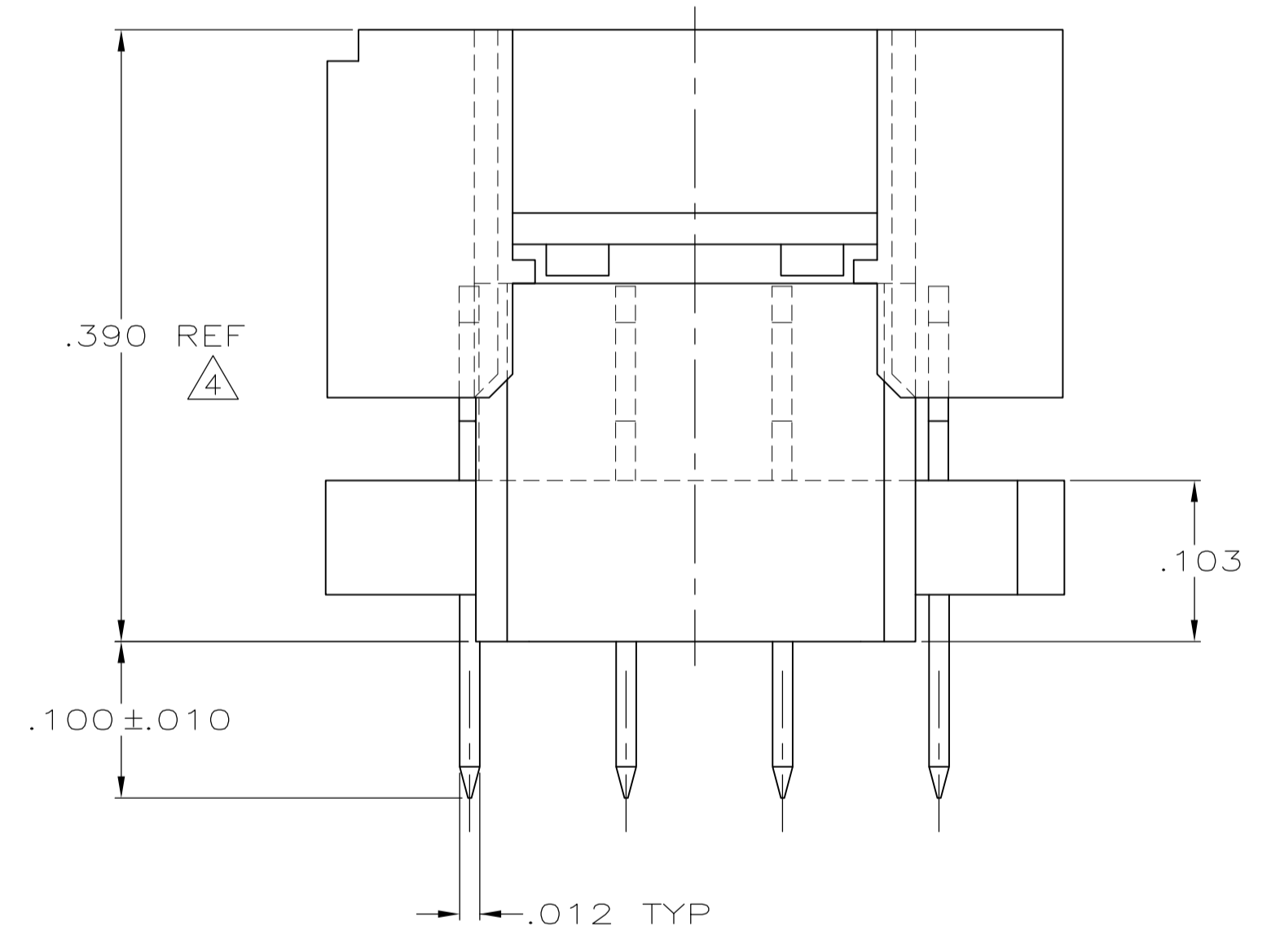
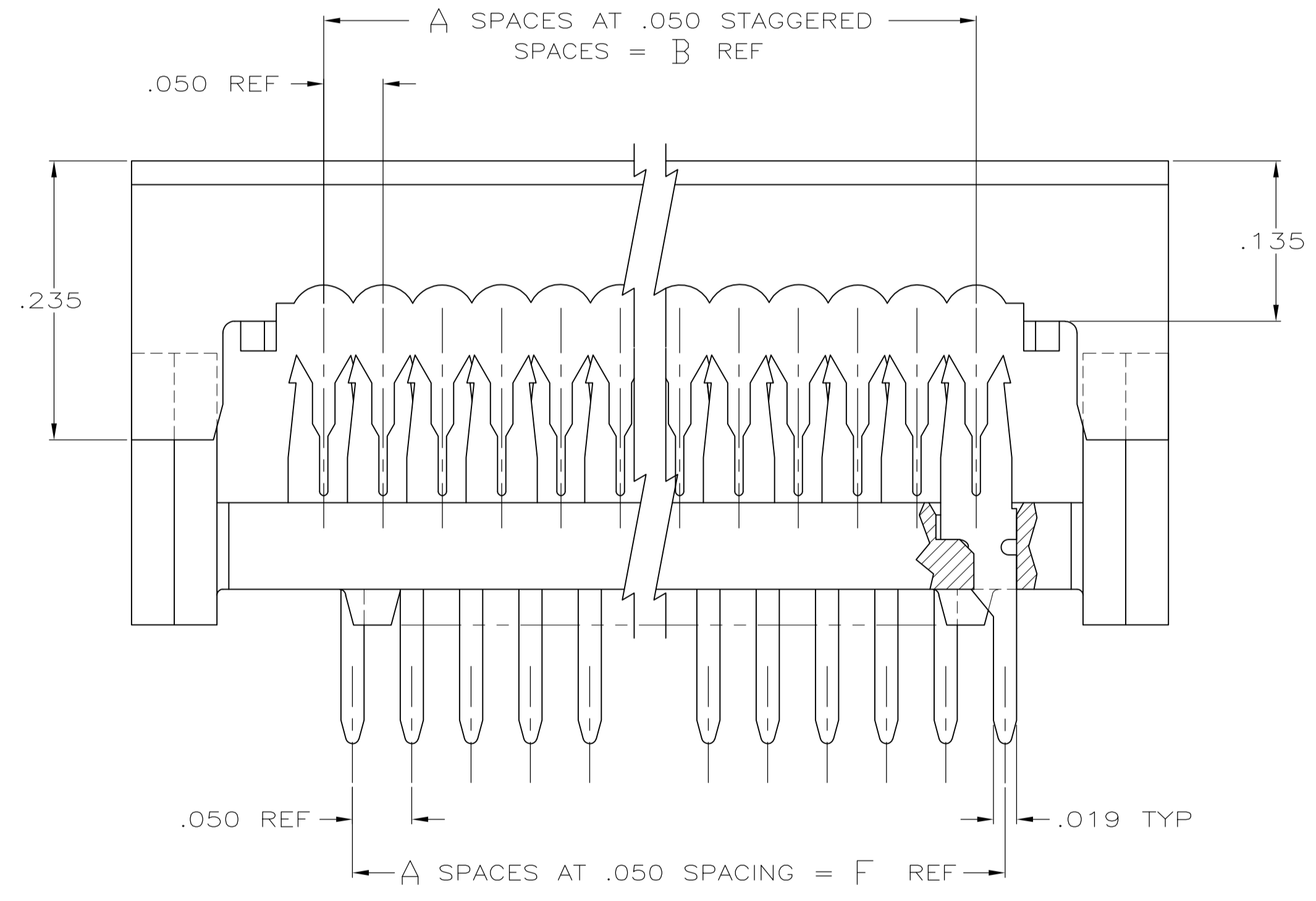


LOC		DIST		REVISIONS			
DF	FO	REV	DATE	DESCRIPTION	DATE	BY	APPV
J		1	28APR11	TYCO LOGO REPLACED WITH THE AMP BRAND LOGO		CT	DH



- 1 AMP TRADEMARK LOCATED IN APPROX AREA SHOWN.
- 2 STANDOFFS: POSN 12 (9) STANDOFFS AS SHOWN.
 POSN 16 (12) STANDOFFS, 3 PER DIAGONAL ROW.
 POSN 20 (15) STANDOFFS, 3 PER DIAGONAL ROW.
 POSN 24 (18) STANDOFFS, 3 PER DIAGONAL ROW.
 POSN 28 (21) STANDOFFS, 3 PER DIAGONAL ROW.
 POSN 32 (24) STANDOFFS, 3 PER DIAGONAL ROW.
 POSN 36 (27) STANDOFFS, 3 PER DIAGONAL ROW.
 POSN 40 (30) STANDOFFS, 3 PER DIAGONAL ROW.
 POSN 44 (33) STANDOFFS, 3 PER DIAGONAL ROW.
 POSN 48 (36) STANDOFFS, 3 PER DIAGONAL ROW.
 POSN 52 (39) STANDOFFS, 3 PER DIAGONAL ROW.
 POSN 56 (42) STANDOFFS, 3 PER DIAGONAL ROW.
 POSN 60 (45) STANDOFFS, 3 PER DIAGONAL ROW.
- 3 FINISH: BRIGHT TIN-LEAD .000100-.000200 THK OVER NICKEL .000050 MIN THK.
- 4 HEIGHT AFTER TERMINATION IS .238 REF.
- 5 CAVITY IDENTIFICATION MOLDED IN THIS AREA.
- 6 FINISH: BRIGHT TIN .000100-.000200 THK OVER NICKEL .000050 MIN THK.

RECOMMENDED HOLE LAYOUT



	6	2.950	2.950	3.274	2.950	2.950	59	60	6-111035-3
	6	2.150	2.150	2.474	2.150	2.150	43	44	5-111035-9
	6	1.950	1.950	2.274	1.950	1.950	39	40	5-111035-8
	6	1.750	1.750	2.074	1.750	1.750	35	36	5-111035-7
	6	1.550	1.550	1.874	1.550	1.550	31	32	5-111035-6
	6	1.150	1.150	1.474	1.150	1.150	23	24	5-111035-4
	6	.950	.950	1.274	.950	.950	19	20	5-111035-3
	6	.750	.750	1.074	.750	.750	15	16	5-111035-2
	3	2.950	2.950	3.274	2.950	2.950	59	60	1-111035-3
OBSOLETE	3	2.750	2.750	3.074	2.750	2.750	55	56	1-111035-2
OBSOLETE	3	2.550	2.550	2.874	2.550	2.550	51	52	1-111035-1
OBSOLETE	3	2.350	2.350	2.674	2.350	2.350	47	48	1-111035-0
	3	2.150	2.150	2.474	2.150	2.150	43	44	111035-9
	3	1.950	1.950	2.274	1.950	1.950	39	40	111035-8
	3	1.750	1.750	2.074	1.750	1.750	35	36	111035-7
	5	1.550	1.550	1.874	1.550	1.550	31	32	111035-6
OBSOLETE	3	1.350	1.350	1.674	1.350	1.350	27	28	111035-5
	3	1.150	1.150	1.474	1.150	1.150	23	24	111035-4
	5	.950	.950	1.274	.950	.950	19	20	111035-3
	3	.750	.750	1.074	.750	.750	15	16	111035-2
OBSOLETE	3	.550	.550	.874	.550	.550	11	12	111035-1
	FINISH	F	E	D	C	B	A	NO OF POSN	PART NUMBER

THIS DRAWING IS A CONTROLLED DOCUMENT. **STE** TE Connectivity

DIMENSIONS: INCHES
 TOLERANCES UNLESS OTHERWISE SPECIFIED:
 0 PL ± -
 1 PL ± -
 2 PL ± -
 3 PL ± .005
 4 PL ± -
 ANGLES ± -

MATERIAL: MOLDED PARTS: 94V-0 RATED THERMOPLASTIC, COLOR BLACK CONTACTS: PH BRZ PER QQ-B-750
 FINISH: CONTACTS

THIS DRAWING IS A CONTROLLED DOCUMENT. **STE** TE Connectivity
 KIT, AMP-LATCH PADDLEBOARD PREASSEMBLED, .100 LONG POSTS FULL ROW, FULL TIN PLATED CONTACTS
 APPLICATION SPEC 114-40005
 WEIGHT: -
 CUSTOMER DRAWING

DATE: 05-MAR-86
 CHK: J. PEACHEY
 DATE: 23-MAY-86
 APPV: M. SCULLY
 DATE: 23-MAY-86
 NAME: D. HOFFMAN
 PRODUCT SPEC: -
 SIZE: A1
 SCALE: 10:1
 SHEET: 1 OF 1
 REV: J