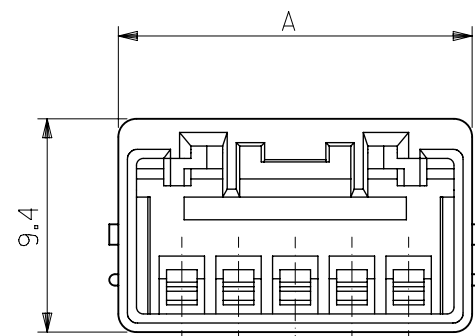
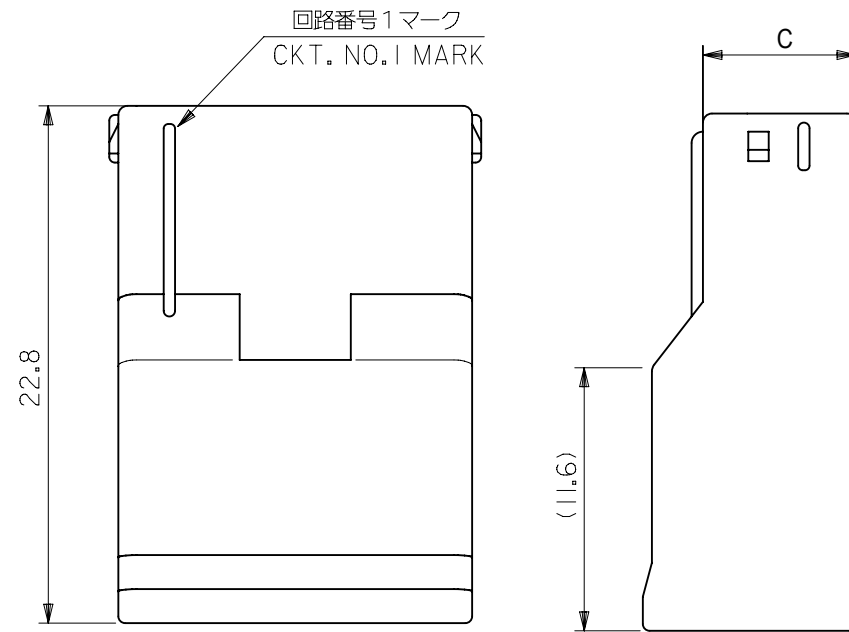
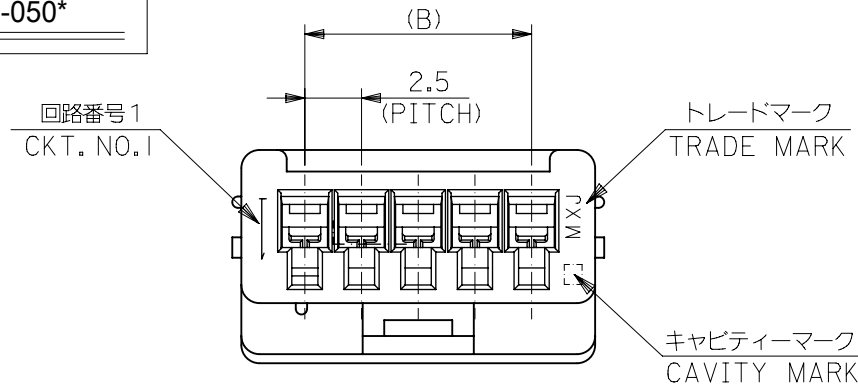
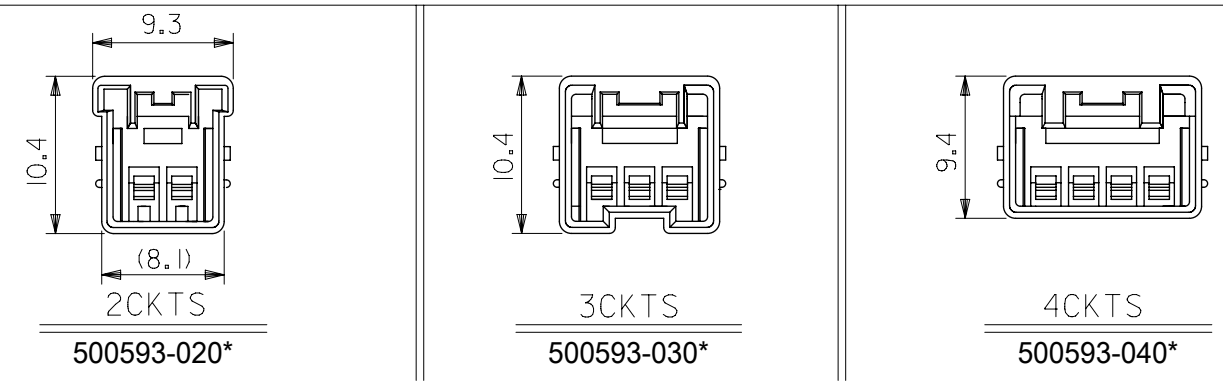


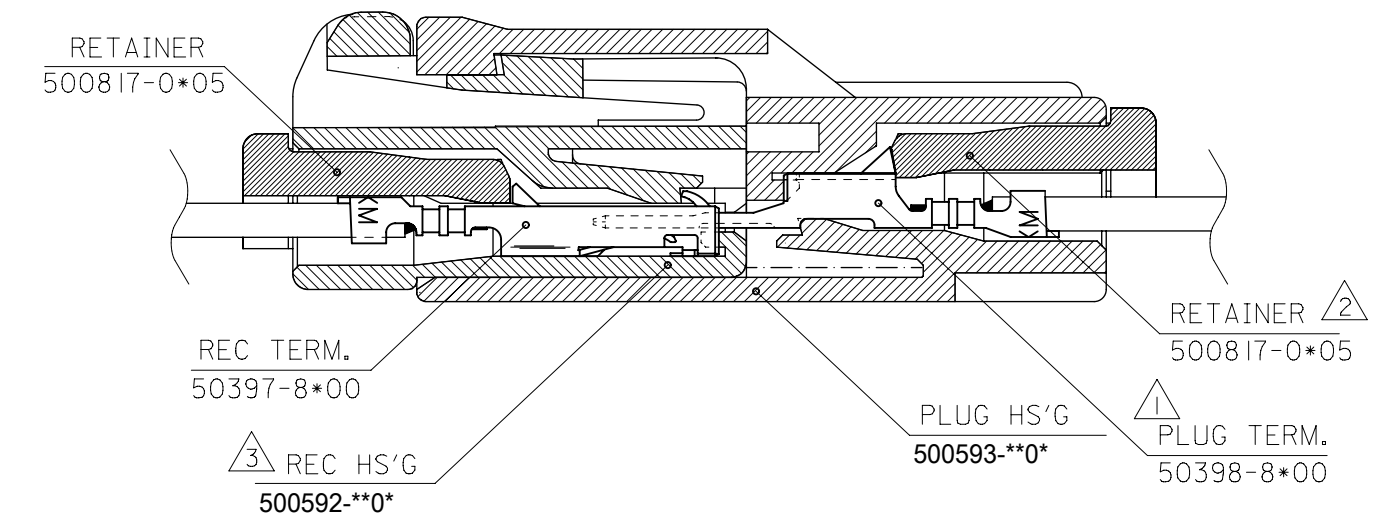
SHAPE OF  
500593-050\*



4極以下の極数レイアウト図  
LAYOUT OF 2/3/4CKTS.



ターミナル装着状態図  
TERMINAL ASSEMBLY DRAWING



注記  
NOTES

- ① 適合ターミナル：50398シリーズ  
APPLICABLE TERMINAL：50398 SERIES
- ② 適合リテーナー：500817シリーズ  
APPLICABLE RETAINER：500817 SERIES
- ③ 嵌合相手：500592シリーズ  
MATE WITH：500592 SERIES
- 4. 材質：PBT (UL94V-0)  
MATERIAL：PBT(UL94V-0)

5. MATERIAL NO.は以下の内容を示す。  
MATERIAL NO.:

500593-\*\*0\*

極数 CKT	色 COLOR
0	自然色 NATURAL
1	黒 BLACK
2	赤 RED
3	黄色 YELLOW
4	青 BLUE
6	緑 GREEN

FUNCTIONAL SYMBOLS		THIS DRAWING CONTAINS INFORMATION THAT IS PROPRIETARY TO MOLEX ELECTRONIC TECHNOLOGIES, LLC AND SHOULD NOT BE USED WITHOUT WRITTEN PERMISSION		500593-**0*		MODEL NO.	
▽A = 0	MM	SCALE	1:1	<p><b>molex</b></p> <p>2.5MM WIRE TO WIRE CONN. PLUG HOUSING</p>			
▽E = 0	GENERAL TOLERANCES (UNLESS SPECIFIED)						
▽F = 0	ANGULAR TOL ± 3.0°			PRODUCT CUSTOMER DRAWING			
DIVISIONAL SYMBOLS		4 PLACES ± 0.2					
		3 PLACES ± 0.25		DOCUMENT NUMBER   DOC TYPE   DOC PART   REVISION			
		2 PLACES ± 0.3					
		1 PLACE ±		SD-500593-001   PSD   001   C1			
		0 PLACES ±					
DRAFT WHERE APPLICABLE MUST REMAIN WITHIN DIMENSIONS		THIRD ANGLE PROJECTION	DRAWING	SERIES	MATERIAL NUMBER	CUSTOMER	SHEET NUMBER
		⊕	A3-SIZE	500593	SEE CHART	GENERAL MARKET	1 OF 2



500592-080*	500817-0805	6.75	17.5	23.1	8	— // —	— // —	— // —	500593-0800	500593-**0*
↙ -070*	↙ -0705	↙	15	20.6	7	— // —	— // —	— // —	↙ -0700	
↙ -060*	↙ -0605	↙	12.5	18.1	6	— // —	— // —	— // —	↙ -0600	
↙ -050*	↙ -0505		10	15.6	5	— // —	— // —	— // —	↙ -0500	
↙ -040*	↙ -0405	6.75	7.5	13.1	4	— // —	— // —	— // —	↙ -0400	
↙ -030*	↙ -0305	7.75	5	10.6	3	500593-0304	— // —	500593-0301	↙ -0300	
500592-020*	500817-0205	7.75	2.5	8.1	2	500593-0204	500593-0202	500593-0201	500593-0200	MODEL NO.
MATE WITH	CONFORTABLE-RETAINER	C	B	A	CKT.	BLUE	RED	BLACK	NATURAL	
MATERIAL NO.										

FUNCTIONAL SYMBOLS FA = 0 FE = 0 FE = 0	THIS DRAWING CONTAINS INFORMATION THAT IS PROPRIETARY TO MOLEX ELECTRONIC TECHNOLOGIES, LLC AND SHOULD NOT BE USED WITHOUT WRITTEN PERMISSION		CURRENT REV DESC: OBSOLETE PART NUMBERS AS PER PCN#510807		EC NO: 726454 DRWN: LIKITV CHK'D: GGA APPR: GGA		2022/10/20 2022/11/30 2022/11/30		<b>molex</b>			
	DIMENSION UNITS	SCALE										2.5MM WIRE TO WIRE CONN. PLUG HOUSING
DIVISIONAL SYMBOLS	MM	3:1	INITIAL REVISION: DRWN: U.MUMEDA APPR: KASAKAWA			2005/04/07 2015/04/27		DOCUMENT NUMBER		DOC TYPE	DOC PART	
	GENERAL TOLERANCES (UNLESS SPECIFIED)							SD-500593-001			PSD	001
	ANGULAR TOL ± 3.0 °		DRAFT WHERE APPLICABLE MUST REMAIN WITHIN DIMENSIONS			THIRD ANGLE PROJECTION		DRAWING	SERIES	MATERIAL NUMBER	CUSTOMER	SHEET NUMBER
	4 PLACES ± 0.2			A3-SIZE		500593	SEE CHART	GENERAL MARKET	2 OF 2			
	3 PLACES ± 0.25											
	2 PLACES ± 0.3											
	1 PLACE ±											
	0 PLACES ±											

DOCUMENT STATUS	P1	RELEASE DATE	2022/11/30	11:33:22
-----------------	----	--------------	------------	----------