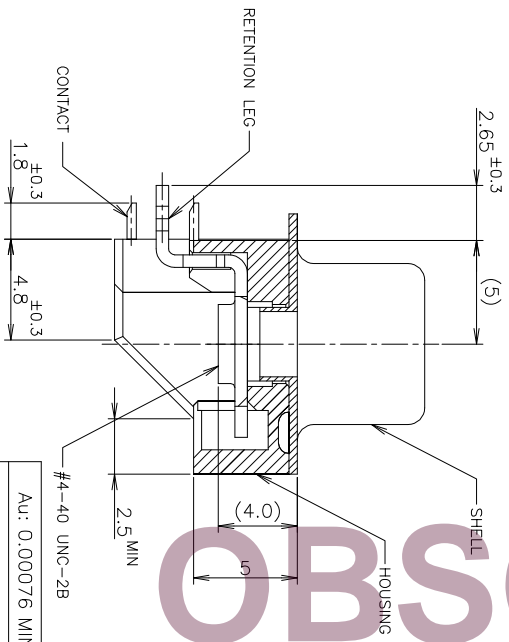
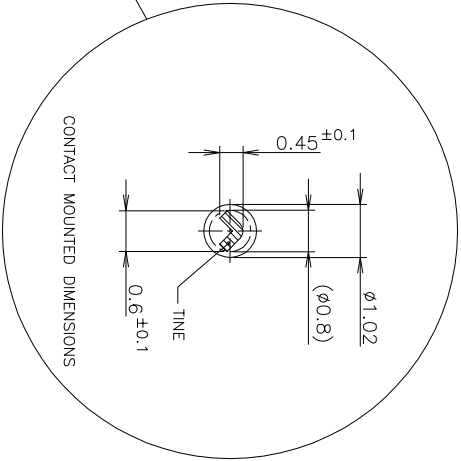
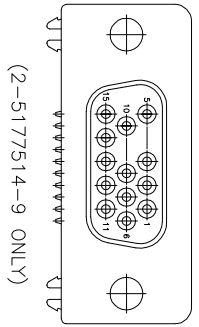
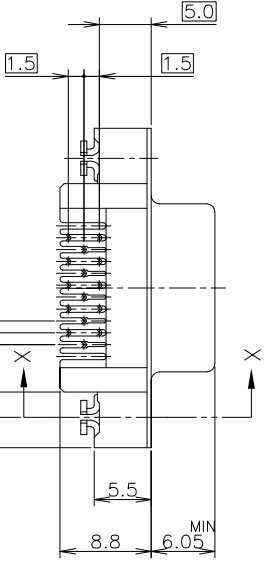
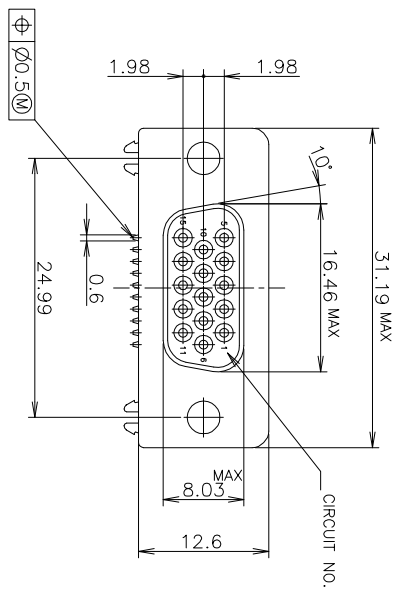


| | | |
|--------------------------|------|--------|
| 100 | DIST | J |
| P | LTR | A |
| DESCRIPTION | | DATE |
| RELEASED (EOR-05-001155) | | 5APR93 |
| | | DMN |
| | | ASD |

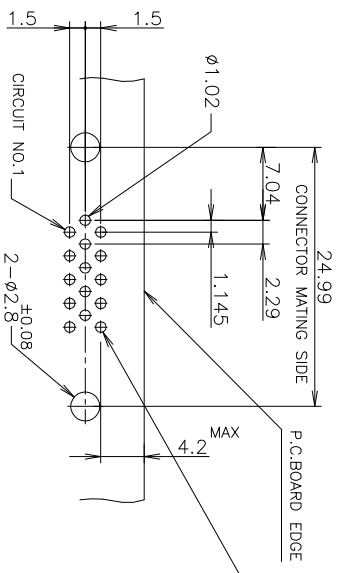
1 THESE PRODUCTS CONFORM AMP SPEC 108-5401.

- △ MATERIAL HOUSING: THERMOPLASTIC
- △ SHELL: CARBON STEEL
- △ CONTACT: COPPER ALLOY
- △ RETENTION LEG: COPPER ALLOY
- △ FINISH CONTACT: GOLD PL.
- △ SHELL: TIN PL.
- △ RETENTION LEG: TIN PL.

- 4 SCREWLOCK OR SCREW MUST BE ASSEMBLED BEFORE PLUG CONNECTOR MATING. (SCREW ON TORQUE: 5kg-cm(MAX))
- △ P. C. BOARD MOUNTING DIMENSION CONFORM MIL SPEC. (MS-18273)



| | | |
|------------------|----|-----------|
| Au: 0.00076 MIN. | 2- | -9 |
| Au: 0.00038 MIN. | 2- | -6 |
| Au: 0.00076 MIN. | | -9 |
| Au: 0.00038 MIN. | | 5177514-6 |
| FINISH | | P/N |



P. C. BOARD MOUNTING DIMENSIONS (±0.1)
THK=0.8~1.2

THIS DRAWING IS A CONTROLLED DOCUMENT.

| | |
|--|----|
| DIMENSIONS: | mm |
| TOLERANCES UNLESS OTHERWISE SPECIFIED: | |
| 0 PL/C | ± |
| 1 PL/C | ± |
| 2 PL/C | ± |
| 3 PL/C | ± |
| 4 PL/C | ± |
| ANGLES | ± |

| | |
|-------------------|-------------------|
| GENERAL TOLERANCE | 10 ≥ : ±0.2 |
| | 30 ≥ > 10 : ±0.25 |
| | 100 ≥ > 30 : ±0.3 |
| | ANGLES : ±3° |
| MATERIAL | SEE NOTE |
| FINISH | SEE NOTE |

| | | |
|------------------|------------|--------|
| DMN | LEO ZHOU | 5APR93 |
| CHK | STEVEN YAO | 5APR93 |
| APP'D | TENOMOTO | 5APR93 |
| PRODUCT SPEC | | |
| APPLICATION SPEC | | |
| WEIGHT | | |
| CUSTOMER DRAWING | | |
| SIZE | A3 | 00779 |
| DRAWING NO | 5177514 | |
| SCALE | NTS | |
| SHEET | 1 | OF 1 |
| REV | | A |

tyco
Electronics
Tyco Electronics AMP K.K.
Kawasaki, Japan

RECEPTACLE ASSY RIGHT ANGLE SIZE 1, 15P
LOW PROFILE STD-D P.C.B t=0.8~1.2 IR REFLOW
AMPLIMITE III-J ULTRA SLIM HD-22

OBSOLETE
NOT the LATEST
REVISION