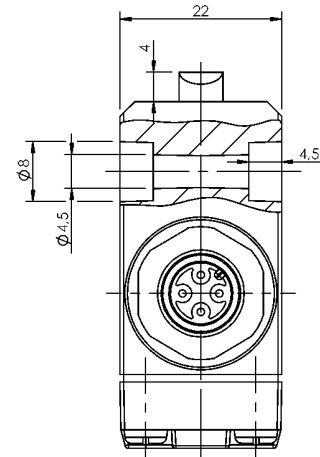
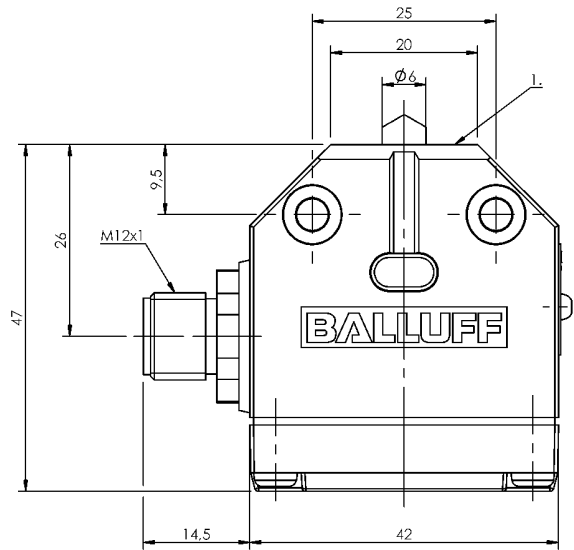


Mechanical Cam Switches
BNS 819-100-D-13-S4
Order Code: BNS005P

BALLUFF



1) Reference edge



Basic features

Additional features	without ground conductor connection
Approval/Conformity	CE UKCA CCC WEEE
Basic standard	IEC 60947-5-1
Operating principle	1. Switch position: Mechanical
Version	Snap contact

Display/Operation

Function indicator	1. Switch position: None
---------------------------	--------------------------

Electrical connection

Connection	M12x1-Flange male, 4-pin, A-coded
Connection type	1. Switch position: Connector

Electrical data

Continuous current	1. Switch position: 0.1 A
Rated operating voltage U_e	1. Switch position: 25 V AC/60 V DC
Switching function mechanical	Single-pin changeover
Switching rate	1. Switch position: 200/min

Environmental conditions

Ambient temperature	-5...85 °C
IP rating	IP67

Functional safety

B10d (EN ISO 13849-1)	BSE 74.1: 10 mil. switching cycles
------------------------------	------------------------------------

Material

Housing material	Aluminium, Anodized
Housing material, surface protection	Anodized
Material contacts	1. Switch position: Gold
Plunger material	1. Switch position: 1.4034 stainless steel

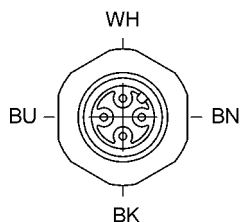
Mechanical data

Approach direction	lateral or at right angles to mounting surface
Approach speed	1. Switch position: 20 m/min
Distance cam - reference edge	1. Switch position: 2.30...2.80 mm
Flange, feed-through	None
Installation	any
Life expectancy mechanical	1. Switch position: 10 mil. switching operations
Number of switching positions	Chisel Mechanical
Plunger style	1st switch position: Chisel
Switch actuation force	1. Switch position: 8 N
Switching element	1. Switch position: BSE 74.1

Range/Distance

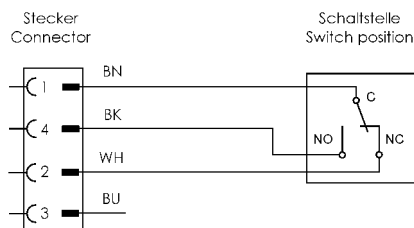
Reproducibility	1. Switch position: ±0.02 mm
------------------------	------------------------------

Connector Drawings



View of connector side

Wiring Diagrams



ACHTUNG: Stecker ohne Schutzleiter!
Schutzklasse III (VDE 0160)

Attention: No groundwire!
Protection Class III (VDE 0160)