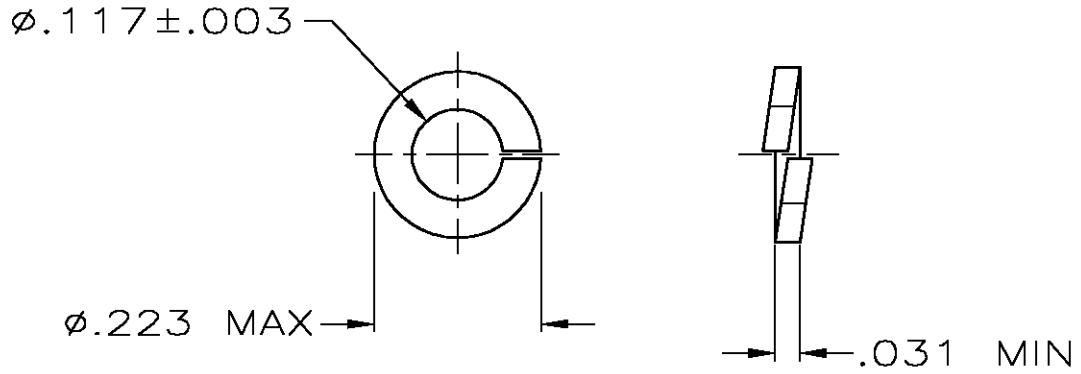


LOC	DIST	REVISIONS					
GP	00	P	LTR	DESCRIPTION	DATE	DWN	APVD
		0		RELEASED PER EC OS13-0207-05	24JAN05	RR	JG



RELEASED FOR PUBLICATION

ALL RIGHTS RESERVED.

BY TYCO ELECTRONICS CORPORATION.

THIS DRAWING IS UNPUBLISHED.

© COPYRIGHT

- 1 ZINC PLATED .000200-.000400 THICK, YELLOW CHROMATE COATING.
- 2 ZINC PLATED .000200-.000400 THICK, CLEAR CHROMATE COATING.
- 3 .000100 MIN TIN OVER .000050 MIN COPPER.

3	5207883-5
2	5207883-3
1	5207883-2
FINISH	PART NO

DIMENSIONS: INCHES	DWN R.RICHARDSON	24JUN05	MATERIAL	COLD ROLLED STL	FINISH	SEE TABLE		
	CHK C.ROHDE	24JUN05	Tyco Electronics Corporation Harrisburg, Pa 17105-3608					
TOLERANCES- UNLESS OTHERWISE SPECIFIED:	APVD M.WALMSLEY	24JUN05					NAME	#4 LOCKWASHER, SPRING, AMPLIMITE
0 PLC ± -	PRODUCT SPEC	-						
1 PLC ± -	APPLICATION SPEC	-						
2 PLC ± -	WEIGHT	-						
3 PLC ± -	CUSTOMER DRAWING		SIZE	A4	CAGE CODE	00779		
4 PLC ± -			DRAWING NO	C-5207883		RESTRICTED TO	-	
ANGLES ± -			SCALE	4:1	SHEET	1 OF 1	REV	0

