

UCC28951-Q1 Phase-Shifted Full-Bridge Controller for Wide-Input Voltage Range Applications

1 Features

- Qualified for automotive applications
- AEC-Q100 qualified with the following results:
 - Device temperature grade 1: -40°C to $+125^{\circ}\text{C}$ ambient operating temperature range
 - Device HBM ESD classification level H2
 - Device CDM ESD classification level C3B
- Enhanced zero-voltage switching (ZVS) range
- Direct synchronous rectifier (SR) control
- Light-load efficiency management including:
 - Burst mode operation
 - Discontinuous conduction mode (DCM), dynamic SR on/off control with programmable threshold
 - Programmable adaptive delay
- Average- or peak-current mode control with programmable slope compensation and voltage-mode control
- Closed-loop soft-start and enable function
- Programmable switching frequency up to 1 MHz with bidirectional synchronization
- ($\pm 3\%$) cycle-by-cycle current limit protection with hiccup mode support
- 150- μA start-up current
- V_{DD} undervoltage lockout
- Wide temperature range: -40°C to $+125^{\circ}\text{C}$

2 Applications

- Electric vehicle inverters
- Electric vehicle onboard chargers
- Solar inverters
- UPS

3 Description

The UCC28951-Q1 controller is an enhanced version of the UCC28950-Q1. It is a fully compatible drop-in replacement for the UCC28950-Q1. Refer to application note [Making the Correct Choice: UCC28950-Q1 or UCC28951-Q1](#) to determine which controller to use. The UCC28951-Q1 uses advanced control of the full-bridge in addition to active control of the synchronous rectifier (SR) output stage.

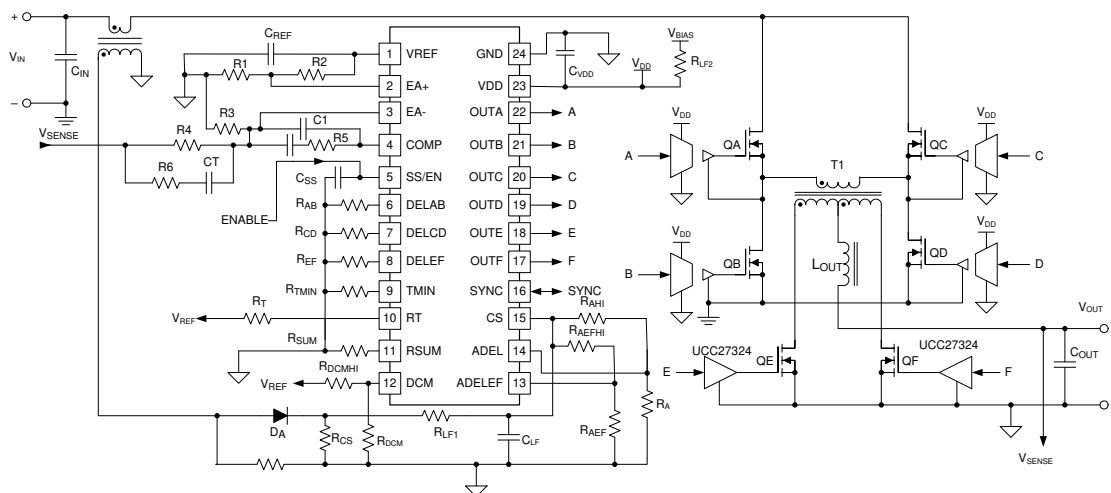
Programmable delays ensure ZVS operation over a wide range of operating conditions, while the load current naturally tunes the switching delays of the secondary-side synchronous rectifiers (SR). This functionality maximizes overall system efficiency.

The 24-pin, TSSOP package complies with RoHS requirements.

Device Information

PART NUMBER	PACKAGE ⁽¹⁾	BODY SIZE (NOM)
UCC28951-Q1	TSSOP (24)	7.80 mm × 4.40 mm

(1) For all available packages, see the orderable addendum at the end of the data sheet.



Simplified Application

Table of Contents

1 Features	1	7.2 Functional Block Diagram.....	19
2 Applications	1	7.3 Feature Description.....	20
3 Description	1	7.4 Device Functional Modes.....	36
4 Revision History	2	8 Application and Implementation	37
5 Pin Configuration and Functions	3	8.1 Application Information.....	37
6 Specifications	4	8.2 Typical Application.....	40
6.1 Absolute Maximum Ratings.....	4	9 Power Supply Recommendations	69
6.2 ESD Ratings.....	4	10 Layout	70
6.3 Recommended Operating Conditions.....	4	10.1 Layout Guidelines.....	70
6.4 Thermal Information.....	5	10.2 Layout Example.....	71
6.5 Electrical Characteristics.....	6	11 Device and Documentation Support	72
6.6 Timing Requirements.....	9	11.1 Device Support.....	72
6.7 Dissipation Ratings.....	9	11.2 Documentation Support.....	72
6.8 Typical Characteristics.....	11	11.3 Receiving Notification of Documentation Updates..	72
7 Detailed Description	18	11.4 Community Resources.....	72
7.1 Overview.....	18	11.5 Trademarks.....	72

4 Revision History

NOTE: Page numbers for previous revisions may differ from page numbers in the current version.

Changes from Revision A (February 2018) to Revision B (December 2021)	Page
• Updated legacy terminology to <i>leader</i> and <i>follower</i> throughout the document.....	1
• Updated the numbering format for tables, figures, and cross-references throughout the document	1
• Changed note in <i>Soft-Start and Enable (SS/EN)</i> section	21
• Updated all equations in <i>Soft-Start and Enable (SS/EN)</i> section	21
• Updated m_o calculation equation.....	28
• Updated all equations in <i>Cycle-by-Cycle Current Limit Current Protection and Hiccup Mode</i> section.....	31
• Updated I_{CINRMS} calculation equation.....	52
• Updated resistor R_T calculation equation.....	56

Changes from Revision * (October 2016) to Revision A (February 2018)	Page
• Changed <i>Description</i> section	1
• Changed <i>Delay Time T_{AFSET} and T_{BESET}</i> graphs.....	24
• Changed <i>UCC28951-Q1 Typical Application</i> graphic.....	40
• Changed V_{dsQE} equation.....	51
• Changed note text from: " t_{EFSET} and t_{BESET} can be programmed between 32 ns to 1100 ns" to " t_{AFSET} and t_{BESET} can be programmed between 32 ns to 1100 ns".....	56
• Added new content above the m_{MAG} equation.....	56
• Changed m_{MAG} equation.....	56
• Changed m_{SUM} equation.....	56
• Changed R_{SUM} equation.....	56
• Changed $\Delta V_{SLOPE-COMP}$ equation.....	56

5 Pin Configuration and Functions

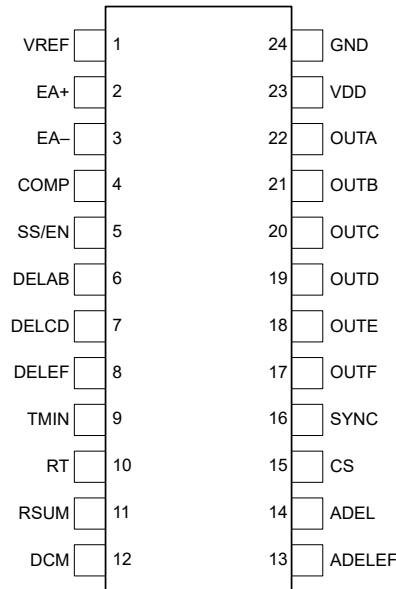


Figure 5-1. PW Package, 24-Pin TSSOP (Top View)

Pin Functions

PIN		TYPE	DESCRIPTION
NAME	NO.		
ADEL	14	I	Dead-time programming for the primary switches over CS voltage range, t_{ABSET} and t_{CDSET} .
ADELEF	13	I	Delay-time programming between primary side and secondary side switches, t_{AFSET} and t_{BESET} .
COMP	4	I/O	Error amplifier output and input to the PWM comparator.
CS	15	I	Current sense for cycle-by-cycle overcurrent protection and adaptive delay functions.
DCM	12	I	DCM threshold setting.
DELAB	6	I	Dead-time delay programming between OUTA and OUTB.
DELCD	7	I	Dead-time delay programming between OUTC and OUTD.
DELEF	8	I	Delay-time programming between OUTA to OUTF, and OUTB to OUTE.
EA+	2	I	Error amplifier noninverting input.
EA-	3	I	Error amplifier inverting input.
GND	24	—	Ground. All signals are referenced to this node.
OUTA	22	O	0.2-A sink and source primary switching output.
OUTB	21	O	
OUTC	20	O	
OUTD	19	O	
OUTE	18	O	
OUTF	17	O	
RSUM	11	I	Slope compensation programming. Voltage mode or peak current mode setting.
RT	10	I	Oscillator frequency set. leader or follower mode setting.
SS/EN	5	I	Soft-start programming, device enable and hiccup mode protection circuit.
SYNC	16	I/O	Synchronization out from leader controller to input of follower controller.
TMIN	9	I	Minimum duty cycle programming in burst mode.
VDD	23	I	Bias supply input.
VREF	1	O	5-V, $\pm 1.5\%$, 20-mA reference voltage output.

6 Specifications

6.1 Absolute Maximum Ratings

over operating free-air temperature range (unless otherwise noted) ⁽¹⁾ ⁽²⁾

	MIN	MAX	UNIT
Input supply voltage, V_{DD} ⁽³⁾	-0.4	20	V
OUTA, OUTB, OUTC, OUTD, OUTE, OUTF	-0.4	VDD + 0.4	V
Input voltage on DELAB, DELCD, DELEF, SS/EN, DCM, TMIN, RT, SYNC, RSUM, EA+, EA-, COMP, CS, ADEL, ADELEF	-0.4	VREF + 0.4	V
Output voltage on VREF	-0.4	5.6	V
Continuous total power dissipation	See Section 6.7		
Operating virtual junction temperature, T_J	-40	150	°C
Operating ambient temperature, T_A	-40	125	°C
Lead temperature (soldering, 10 s)		300	°C
Storage temperature, T_{stg}	-65	150	°C

- (1) Stresses beyond those listed under *Absolute Maximum Ratings* may cause permanent damage to the device. These are stress ratings only, and functional operation of the device at these or any other conditions beyond those indicated under [Section 6.3](#) is not implied. Exposure to absolute-maximum-rated conditions for extended periods may affect device reliability.
- (2) These devices are sensitive to electrostatic discharge; follow proper device handling procedures.
- (3) All voltages are with respect to GND unless otherwise noted. Currents are positive into, negative out of the specified terminal. See [Section Mechanical, Packaging, and Orderable Information](#) for thermal limitations and considerations of packages.

6.2 ESD Ratings

		VALUE	UNIT	
$V_{(ESD)}$	Electrostatic discharge	Human body model (HBM), per ANSI/ESDA/JEDEC JS-001 ⁽¹⁾	±2000	V
		Charged device model (CDM), per JEDEC specification JESD22-C101 ⁽²⁾	±500	V

- (1) JEDEC document JEP155 states that 500-V HBM allows safe manufacturing with a standard ESD control process.
- (2) JEDEC document JEP157 states that 250-V CDM allows safe manufacturing with a standard ESD control process.

6.3 Recommended Operating Conditions

over operating free-air temperature range (unless otherwise noted)

	MIN	TYP	MAX	UNIT
Supply voltage, V_{DD}	8	12	17	V
Operating junction temperature	-40		125	°C
Converter switching frequency setting, $F_{SW(nom)}$	50		1000	kHz
Programmable delay between OUTA, OUTB and OUTC, OUTD set by resistors DELAB and DELCD and parameter K_A ⁽¹⁾	30		1000	ns
Programmable delay between OUTA, OUTF and OUTB, OUTE set by resistor DELEF, and parameter K_{EF} ⁽¹⁾	30		1400	ns
Programmable DCM as percentage of voltage at CS ⁽¹⁾	5%		30%	
Programmable T_{MIN}	100		800	ns

- (1) Verified during characterization only.

6.4 Thermal Information

THERMAL METRIC ⁽¹⁾		UCC28951-Q1	UNIT
		PW (TSSOP)	
		24 PINS	
$R_{\theta JA}$	Junction-to-ambient thermal resistance	93.3	°C/W
$R_{\theta JC(top)}$	Junction-to-case (top) thermal resistance	24.2	°C/W
$R_{\theta JB}$	Junction-to-board thermal resistance	47.9	°C/W
Ψ_{JT}	Junction-to-top characterization parameter	0.7	°C/W
Ψ_{JB}	Junction-to-board characterization parameter	47.4	°C/W
$R_{\theta JC(bot)}$	Junction-to-case (bottom) thermal resistance	n/a	°C/W

- (1) For more information about traditional and new thermal metrics, see the [Semiconductor and IC Package Thermal Metrics](#) application report.

6.5 Electrical Characteristics

$V_{DD} = 12\text{ V}$, $T_A = T_J = -40^\circ\text{C}$ to $+125^\circ\text{C}$, $C_{VDD} = 1\ \mu\text{F}$, $C_{REF} = 1\ \mu\text{F}$, $R_{AB} = 22.6\ \text{k}\Omega$, $R_{CD} = 22.6\ \text{k}\Omega$, $R_{EF} = 13.3\ \text{k}\Omega$, $R_{SUM} = 124\ \text{k}\Omega$, $R_{TMIN} = 88.7\ \text{k}\Omega$, $R_T = 59\ \text{k}\Omega$ connected between RT pin and 5-V voltage supply to set $F_{SW} = 100\ \text{kHz}$ ($F_{OSC} = 200\ \text{kHz}$) (unless otherwise noted). All component designations are from [Figure 8-3](#).

PARAMETER		TEST CONDITIONS	MIN	TYP	MAX	UNIT
UNDERVOLTAGE LOCKOUT (UVLO)						
UVLO_RTH	Start threshold		6.75		7.9	V
		$T_A = 25^\circ\text{C}$		7.3		
UVLO_FTH	Minimum operating voltage after start		6.15		7.2	V
		$T_A = 25^\circ\text{C}$		6.7		
UVLO_HYST	Hysteresis		0.53		0.75	V
		$T_A = 25^\circ\text{C}$		0.6		
SUPPLY CURRENTS						
$I_{DD(\text{off})}$	Startup current	$V_{DD} = 5.2\ \text{V}$			270	μA
		$V_{DD} = 5.2\ \text{V}$, $T_A = 25^\circ\text{C}$			150	
I_{DD}	Operating supply current				10	mA
		$T_A = 25^\circ\text{C}$			5	
VREF OUTPUT VOLTAGE						
V_{REF}	VREF total output range	$0 \leq I_R \leq 20\ \text{mA}$, $8\ \text{V} \leq V_{DD} \leq 17\ \text{V}$	4.925		5.075	V
		$0 \leq I_R \leq 20\ \text{mA}$, $8\ \text{V} \leq V_{DD} \leq 17\ \text{V}$, $T_A = 25^\circ\text{C}$			5	
I_{SCC}	Short circuit current	$V_{REF} = 0\ \text{V}$	-53		-23	mA
SWITCHING FREQUENCY ($\frac{1}{2}$ OF INTERNAL OSCILLATOR FREQUENCY F_{OSC})						
$F_{SW(\text{nom})}$	Total range		92		108	kHz
		$T_A = 25^\circ\text{C}$			100	
D_{MAX}	Maximum duty cycle				97%	
		$T_A = 25^\circ\text{C}$			95%	
SYNCHRONIZATION						
PH_{SYNC}	Total range	$R_T = 59\ \text{k}\Omega$ between RT and GND, Input pulses 200 kHz, $D = 0.5$ at SYNC	85		95	$^\circ\text{PH}$
		$R_T = 59\ \text{k}\Omega$ between RT and GND, Input pulses 200 kHz, $D = 0.5$ at SYNC, $T_A = 25^\circ\text{C}$			90	
F_{SYNC}	Total range	$R_T = 59\ \text{k}\Omega$ between RT and 5 V; $-40^\circ\text{C} \leq T_J \leq 125^\circ\text{C}$	180		220	kHz
		$T_A = 25^\circ\text{C}$			200	
T_{PW}	Pulse width		2.2		2.8	μs
		$T_A = 25^\circ\text{C}$			2.5	

$V_{DD} = 12\text{ V}$, $T_A = T_J = -40^\circ\text{C}$ to $+125^\circ\text{C}$, $C_{VDD} = 1\ \mu\text{F}$, $C_{REF} = 1\ \mu\text{F}$, $R_{AB} = 22.6\ \text{k}\Omega$, $R_{CD} = 22.6\ \text{k}\Omega$, $R_{EF} = 13.3\ \text{k}\Omega$, $R_{SUM} = 124\ \text{k}\Omega$, $R_{TMIN} = 88.7\ \text{k}\Omega$, $R_T = 59\ \text{k}\Omega$ connected between RT pin and 5-V voltage supply to set $F_{SW} = 100\ \text{kHz}$ ($F_{OSC} = 200\ \text{kHz}$) (unless otherwise noted). All component designations are from [Figure 8-3](#).

PARAMETER		TEST CONDITIONS	MIN	TYP	MAX	UNIT
ERROR AMPLIFIER						
V_{ICM}	Common-mode input voltage range	V_{ICM} range ensures parameters, the functionality ensured for $3.6\ \text{V} < V_{ICM} < V_{REF} + 0.4\ \text{V}$, and $-0.4\ \text{V} < V_{ICM} < 0.5\ \text{V}$	0.5		3.6	V
V_{IO}	Offset voltage		-7		7	mV
I_{BIAS}	Input bias current		-1		1	μA
EA_{HIGH}	High-level output voltage	$V_{(EA+)} - V_{(EA-)} = 500\ \text{mV}$, $I_{EAOUT} = -0.5\ \text{mA}$ $V_{(EA+)} - V_{(EA-)} = 500\ \text{mV}$, $I_{EAOUT} = -0.5\ \text{mA}$, $T_A = 25^\circ\text{C}$	3.9	4.25		V
EA_{LOW}	Low-level output voltage	$V_{(EA+)} - V_{(EA-)} = -500\ \text{mV}$, $I_{EAOUT} = 0.5\ \text{mA}$ $V_{(EA+)} - V_{(EA-)} = -500\ \text{mV}$, $I_{EAOUT} = 0.5\ \text{mA}$, $T_A = 25^\circ\text{C}$		0.25	0.35	V
I_{SOURCE}	Error amplifier source current	$T_A = 25^\circ\text{C}$	-8	-3.75	-0.5	mA
I_{SINK}	Error amplifier sink current	$T_A = 25^\circ\text{C}$	2.7	4.6	5.75	mA
I_{VOL}	Open-loop DC gain	$T_A = 25^\circ\text{C}$		100		dB
GBW	Unity gain bandwidth ⁽¹⁾	$T_A = 25^\circ\text{C}$		3		MHz
CYCLE-BY-CYCLE CURRENT LIMIT						
V_{CS_LIM}	CS pin cycle-by-cycle threshold	$T_A = 25^\circ\text{C}$	1.94	2	2.06	V
INTERNAL HICCUP MODE SETTINGS						
I_{DS}	Discharge current to set cycle-by-cycle current limit duration	$V_{CS} = 2.5\ \text{V}$, $V_{VSS} = 4\ \text{V}$ $V_{CS} = 2.5\ \text{V}$, $V_{VSS} = 4\ \text{V}$, $T_A = 25^\circ\text{C}$	15	20	25	μA
V_{HCC}	Hiccup OFF time threshold	$T_A = 25^\circ\text{C}$	3.2	3.6	4.2	V
I_{HCC}	Discharge current to set Hiccup Mode OFF Time	$T_A = 25^\circ\text{C}$	1.9	2.55	3.2	μA
SOFT START/ENABLE						
I_{SS}	Charge current	$V_{SS} = 0\ \text{V}$ $T_A = 25^\circ\text{C}$	20	25	30	μA
V_{SS_STD}	Shutdown, restart threshold	$T_A = 25^\circ\text{C}$	0.25	0.5	0.7	V
V_{SS_PU}	Pullup threshold	$T_A = 25^\circ\text{C}$	3.3	3.7	4.3	V
V_{SS_CL}	Clamp voltage	$T_A = 25^\circ\text{C}$	4.2	4.65	4.95	V

UCC28951-Q1

SLUSCK4B – SEPTEMBER 2016 – REVISED DECEMBER 2021

$V_{DD} = 12\text{ V}$, $T_A = T_J = -40^\circ\text{C}$ to $+125^\circ\text{C}$, $C_{VDD} = 1\ \mu\text{F}$, $C_{REF} = 1\ \mu\text{F}$, $R_{AB} = 22.6\ \text{k}\Omega$, $R_{CD} = 22.6\ \text{k}\Omega$, $R_{EF} = 13.3\ \text{k}\Omega$, $R_{SUM} = 124\ \text{k}\Omega$, $R_{TMIN} = 88.7\ \text{k}\Omega$, $R_T = 59\ \text{k}\Omega$ connected between RT pin and 5-V voltage supply to set $F_{SW} = 100\ \text{kHz}$ ($F_{OSC} = 200\ \text{kHz}$) (unless otherwise noted). All component designations are from [Figure 8-3](#).

PARAMETER		TEST CONDITIONS	MIN	TYP	MAX	UNIT
LIGHT-LOAD EFFICIENCY CIRCUIT						
V_{DCM}	DCM threshold	$V_{DCM} = 0.4\ \text{V}$, Sweep CS confirm there are OUTE and OUTF pulses, $T_A = 25^\circ\text{C}$	0.37	0.39	0.41	V
		$V_{DCM} = 0.4\ \text{V}$, Sweep CS, confirm there are OUTE and OUTF pulses, $0^\circ\text{C} \leq T_A \leq 85^\circ\text{C}$ DCM threshold, ⁽⁶⁾	0.364	0.39	0.416	V
		$V_{DCM} = 0.4\ \text{V}$, Sweep CS, confirm there are OUTE and OUTF pulses, $-40^\circ\text{C} \leq T_A \leq 125^\circ\text{C}$ ⁽⁶⁾	0.35	0.39	0.43	V
I_{DCM_SRC}	DCM Sourcing Current	CS < DCM threshold	14		26	μA
		CS < DCM threshold, $T_A = 25^\circ\text{C}$		20		
OUTPUTS OUTA, OUTB, OUTC, OUTD, OUTE, OUTF						
$I_{SINK/SRC}$	Sink and source peak current ⁽⁶⁾	$T_A = 25^\circ\text{C}$		0.2		A
R_{SRC}	Output source resistance	$I_{OUT} = 20\ \text{mA}$	10		35	Ω
		$I_{OUT} = 20\ \text{mA}$, $T_A = 25^\circ\text{C}$		20		
R_{SINK}	Output sink resistance	$I_{OUT} = 20\ \text{mA}$	5		30	Ω
		$I_{OUT} = 20\ \text{mA}$, $T_A = 25^\circ\text{C}$		10		
THERMAL SHUTDOWN						
	Rising threshold ⁽⁶⁾	$T_A = 25^\circ\text{C}$		160		$^\circ\text{C}$
	Falling threshold ⁽⁶⁾	$T_A = 25^\circ\text{C}$		140		$^\circ\text{C}$
	Hysteresis			20		$^\circ\text{C}$

- (1) See [Figure 7-1](#) for timing diagram and T_{ABSET1} , T_{ABSET2} , T_{CDSET1} , T_{CDSET2} definitions.
- (2) See [Figure 7-4](#) for timing diagram and T_{AFSET1} , T_{AFSET2} , T_{BESET1} , T_{BESET2} definitions.
- (3) Pair of outputs OUTC, OUTE and OUTD, OUTF always going high simultaneously.
- (4) Outputs A or B are never allowed to go high if both outputs OUTE and OUTF are high.
- (5) All delay settings are measured relative to 50% of pulse amplitude.
- (6) Verified during characterization only.

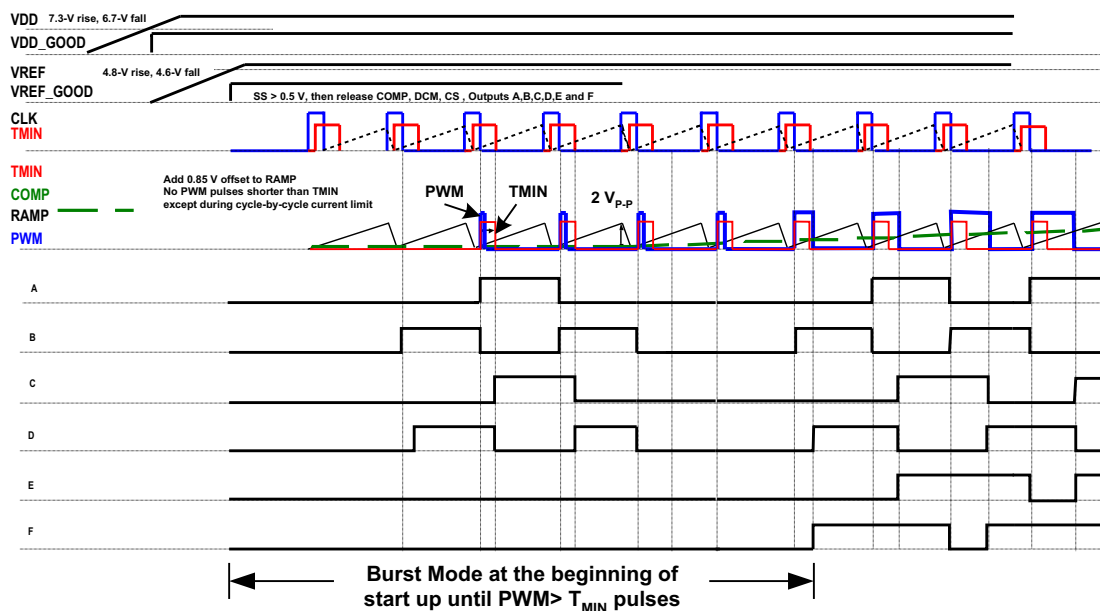
6.6 Timing Requirements

		MIN	NOM	MAX	UNIT
CYCLE-BY-CYCLE CURRENT LIMIT					
T_{CS}	Propagation delay from CS to OUTC and OUTD outputs Input pulse between CS and GND from zero to 2.5 V		100		ns
PROGRAMMABLE DELAY TIME SET ACCURACY AND RANGE^{(1) (2) (3) (4) (5)}					
T_{ABSET1}	Short delay time set accuracy between OUTA and OUTB CS = ADEL = ADELEF = 1.8 V	32	45	56	ns
T_{ABSET2}	Long delay time set accuracy between OUTA and OUTB CS = ADEL = ADELEF = 0.2 V	216	270	325	ns
T_{CDSET1}	Short delay time set accuracy between OUTC and OUTD CS = ADEL = ADELEF = 1.8 V	32	45	56	ns
T_{CDSET2}	Long delay time set accuracy between OUTC and OUTD CS = ADEL = ADELEF = 0.2 V	216	270	325	ns
T_{AFSET1}	Short delay time set accuracy between falling OUTA, OUTF CS = ADEL = ADELEF = 0.2 V	22	35	48	ns
T_{AFSET2}	Long delay time set accuracy between falling OUTA, OUTF CS = ADEL = ADELEF = 1.8 V	190	240	290	ns
T_{BESET1}	Short delay time set accuracy between falling OUTB, OUTE CS = ADEL = ADELEF = 0.2 V	22	35	48	ns
T_{BESET2}	Long delay time set accuracy between falling OUTB, OUTE CS = ADEL = ADELEF = 1.8 V	190	240	290	ns
ΔT_{ADBC}	Pulse matching between OUTA rise, OUTD fall and OUTB rise, OUTC fall CS = ADEL = ADELEF = 1.8 V, COMP = 2 V	-50	0	50	ns
ΔT_{ABBA}	Half cycle matching between OUTA rise, OUTB rise and OUTB rise, OUTA rise CS = ADEL = ADELEF = 1.8 V, COMP = 2 V	-50	0	50	ns
ΔT_{EEFF}	Pulse matching between OUTE fall, OUTE rise and OUTF fall, OUTF rise CS = ADEL = ADELEF = 0.2 V, COMP = 2 V	-60	0	60	ns
ΔT_{EFFE}	Pulse matching between OUTE fall, OUTF rise and OUTF fall, OUTE rise CS = ADEL = ADELEF = 0.2 V, COMP = 2 V	-60	0	60	ns
LIGHT-LOAD EFFICIENCY CIRCUIT					
T_{MIN}	Total range, $R_{TMIN} = 88.7 \text{ k}\Omega$	425	525	625	ns
OUTPUTS OUTA, OUTB, OUTC, OUTD, OUTE, OUTF					
T_R	Rise time, $C_{LOAD} = 100 \text{ pF}$		9	25	ns
T_F	Fall time, $C_{LOAD} = 100 \text{ pF}$		7	25	ns

6.7 Dissipation Ratings

over operating free-air temperature range (unless otherwise noted)

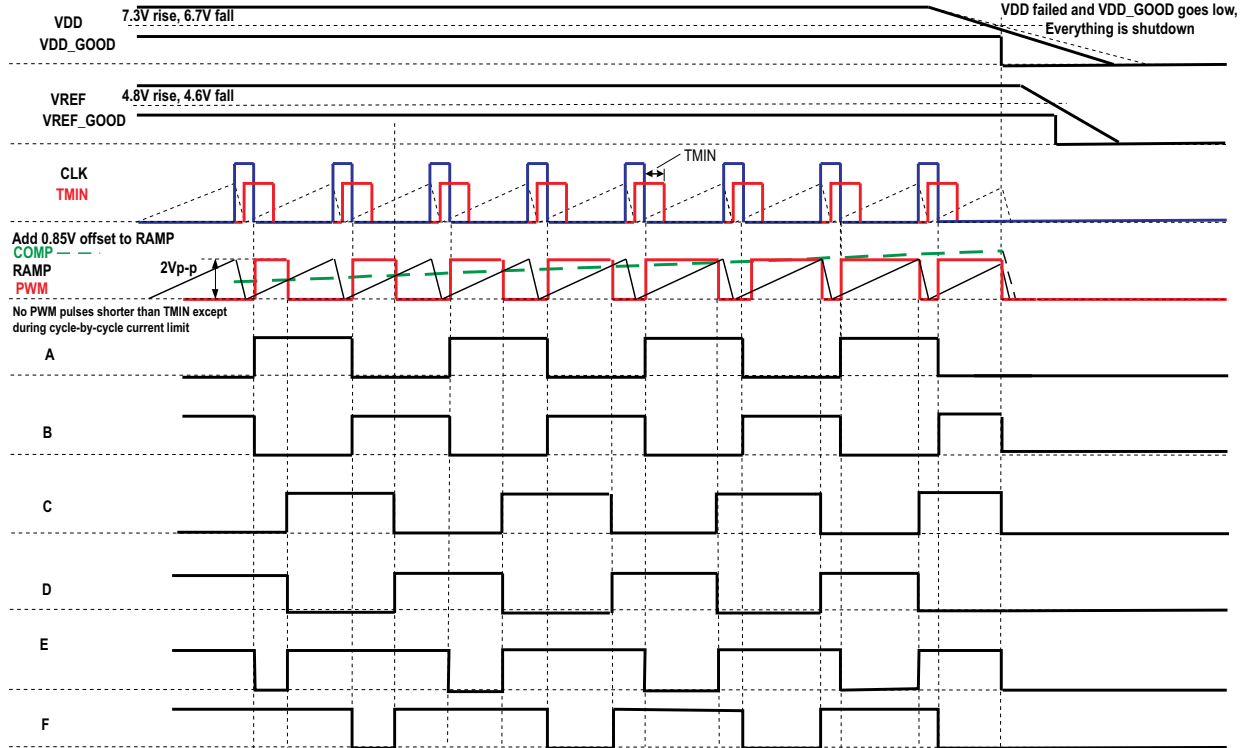
PACKAGE	DERATING FACTOR	POWER RATING		
	ABOVE $T_A = 25^\circ\text{C}$	$T_A < 25^\circ\text{C}$	$T_A = 70^\circ\text{C}$	$T_A = 85^\circ\text{C}$
PW	10.7 mW/°C	1.07 W	0.59 W	0.429 W



No output delay shown, COMP-to-RAMP offset not included.

There is no pulse on OUTE during burst mode at start-up. Two falling edge PWM pulses are required before enabling the synchronous rectifier outputs. Narrower pulse widths (less than 50% duty cycle) may be observed in the 1st OUTD pulse of a burst. The user must design the bootstrap capacitor charging circuit of the gate driver device so that the first OUTC pulse is transmitted to the MOSFET gate in all cases. Transformer based gate driver circuits are not affected. This behavior is described in more detail in the [Gate Drive Outputs on the UCC28950 and UCC28951-Q1 During Burst Mode Operation](#) (SLAU787) application note.

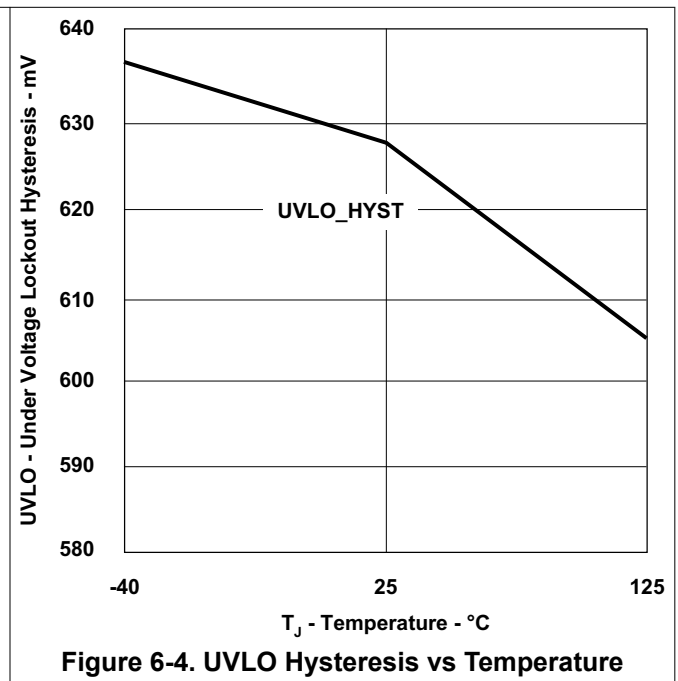
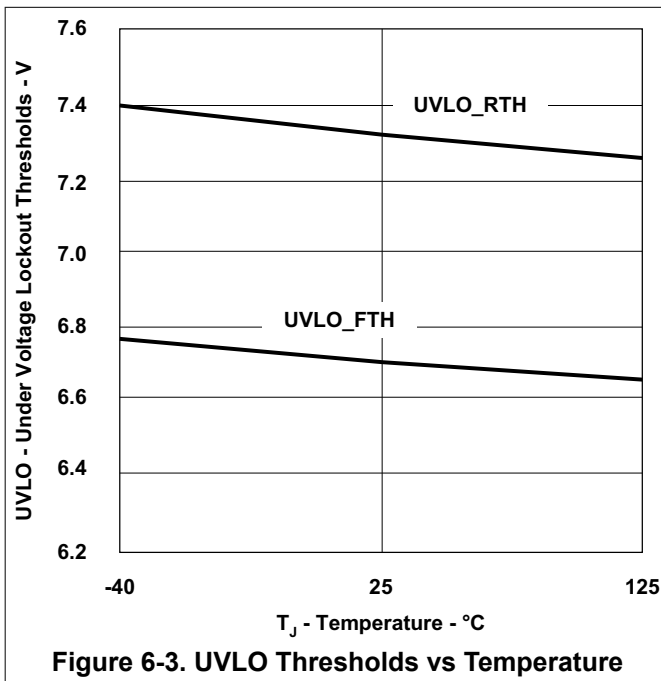
Figure 6-1. UCC28951-Q1 Start-Up Timing



No output delay shown, COMP-to-RAMP offset not included.

Figure 6-2. UCC28951-Q1 Steady-State and Shutdown Timing Diagram

6.8 Typical Characteristics



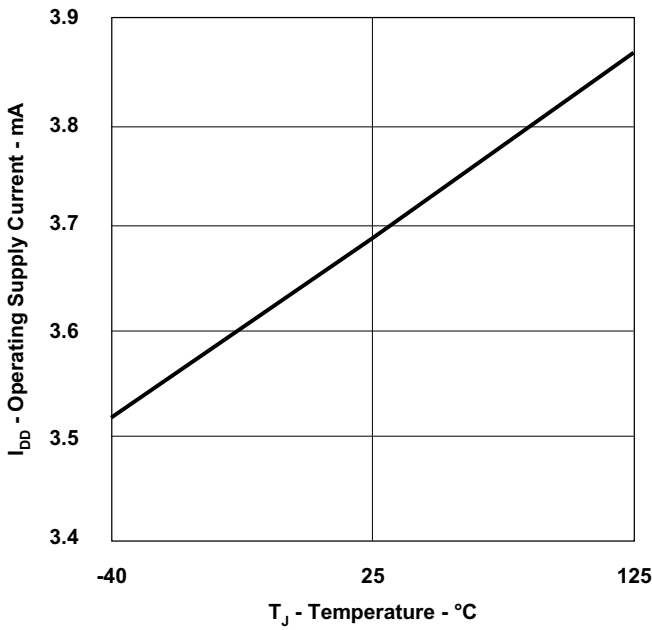


Figure 6-5. Supply Current vs Temperature

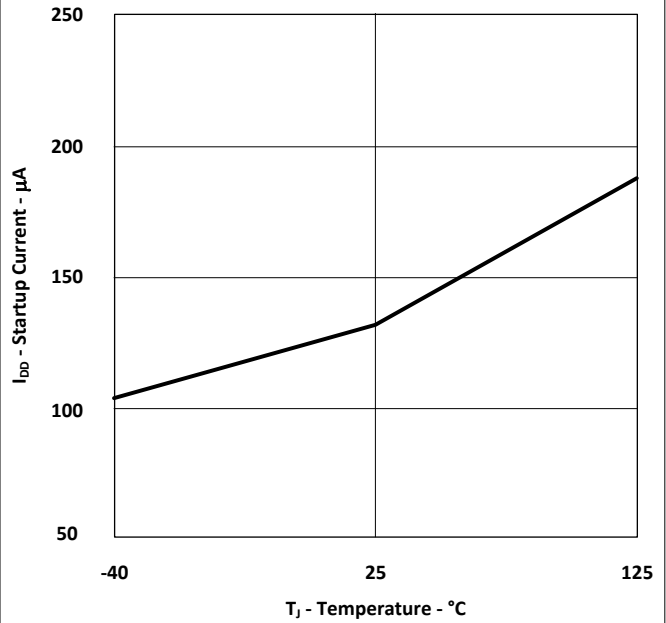


Figure 6-6. Start-Up Current vs Temperature

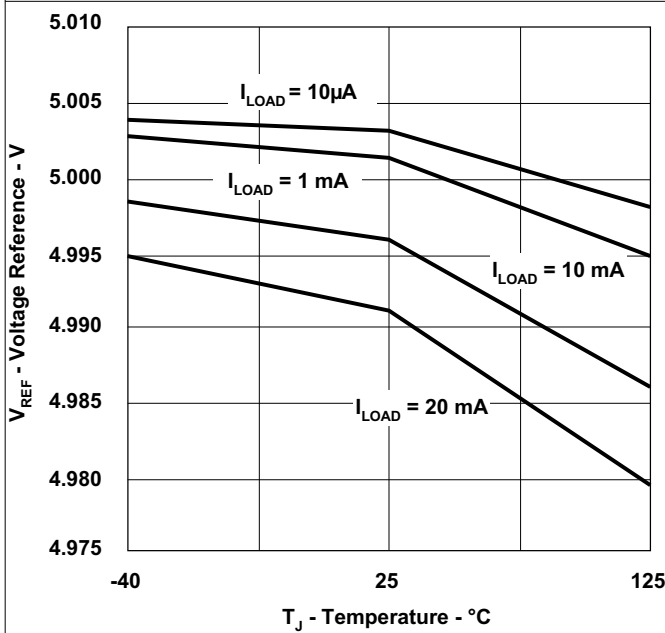


Figure 6-7. Voltage Reference (V_{DD} = 12 V) vs Temperature

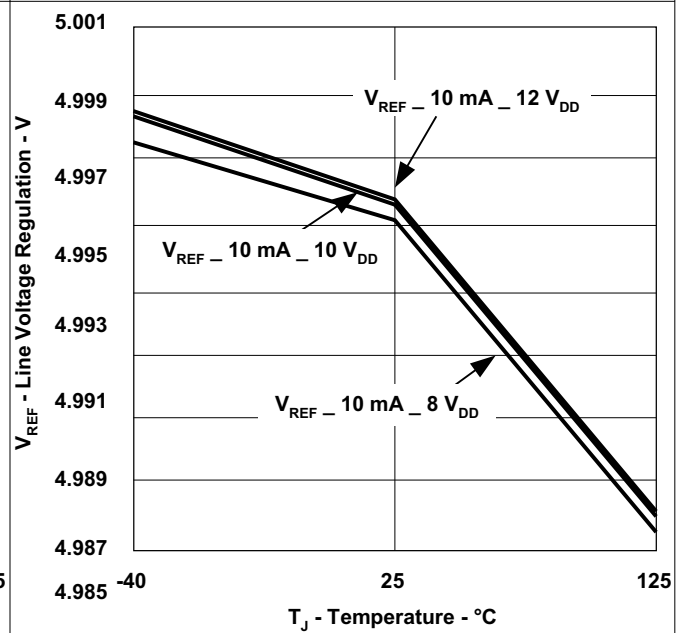


Figure 6-8. Line Voltage Regulation (I_{LOAD} = 10 mA) vs Temperature

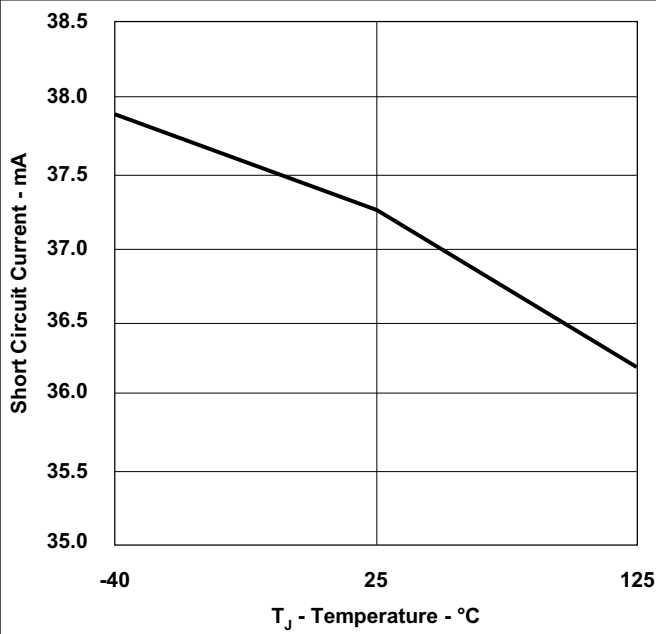


Figure 6-9. Short-Circuit Current vs Temperature

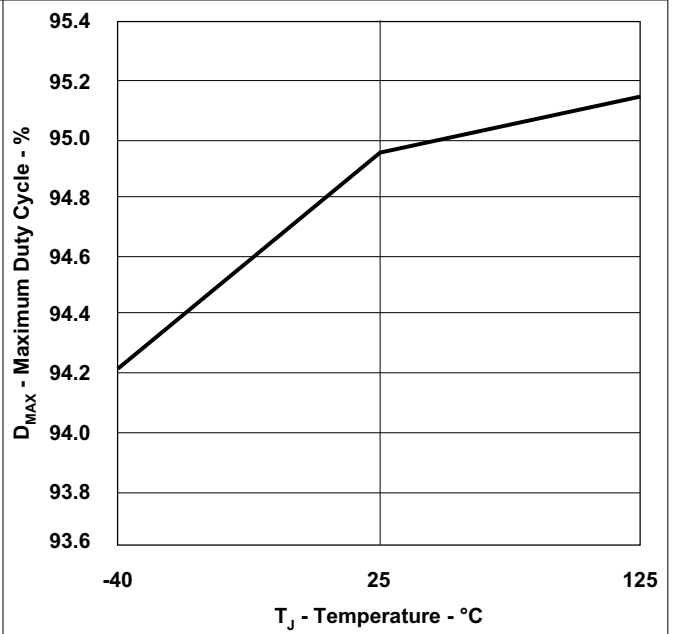


Figure 6-10. Maximum Duty Cycle vs Temperature

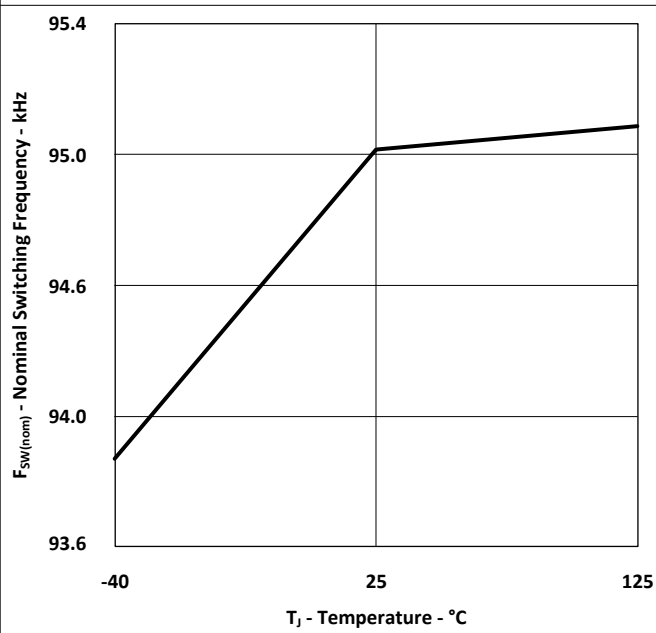


Figure 6-11. Nominal Switching Frequency vs Temperature

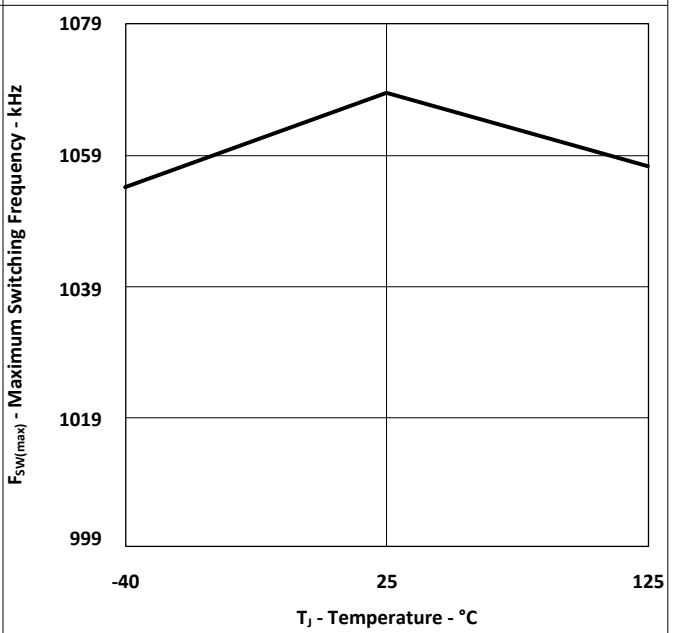


Figure 6-12. Maximum Switching Frequency vs Temperature

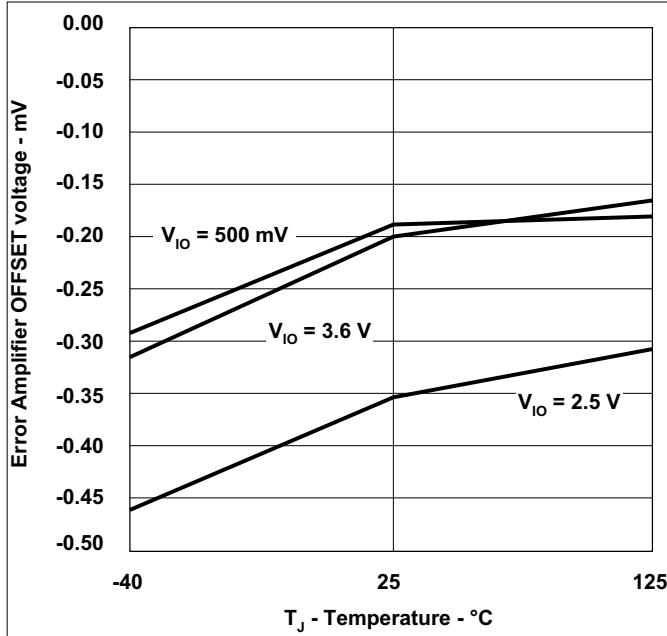


Figure 6-13. Error Amplifier Offset Voltage vs Temperature

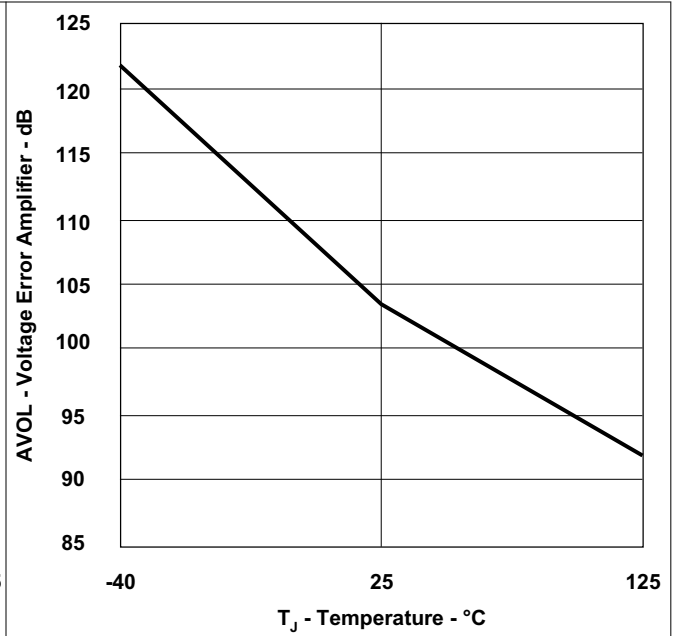


Figure 6-14. Voltage Error Amplifier (Open-Loop Gain) vs Temperature

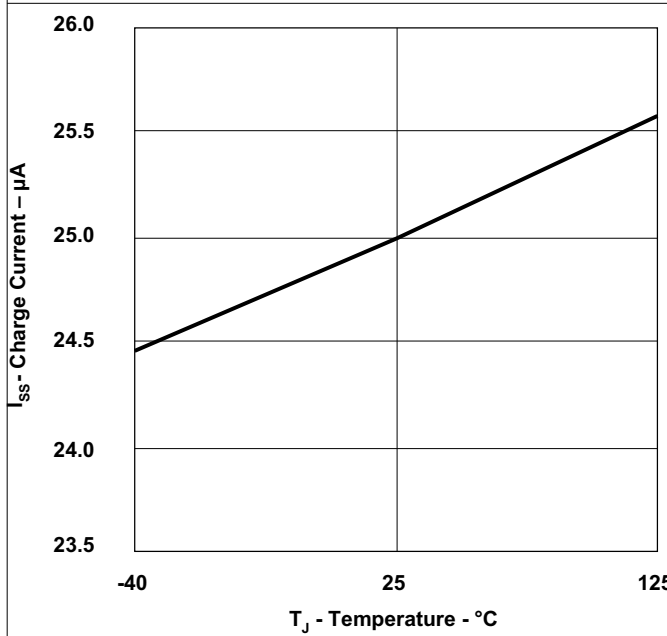


Figure 6-15. I_{SS} Charge Current vs Temperature

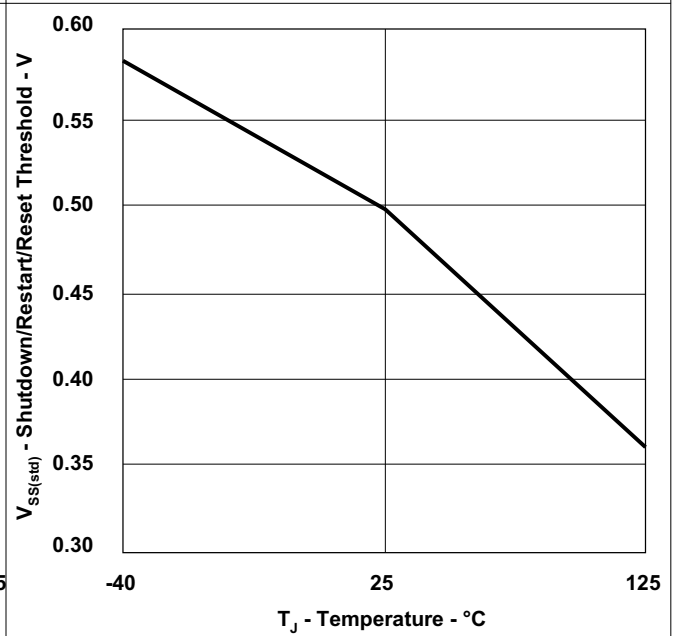


Figure 6-16. Shutdown, Restart, and Reset Threshold vs Temperature

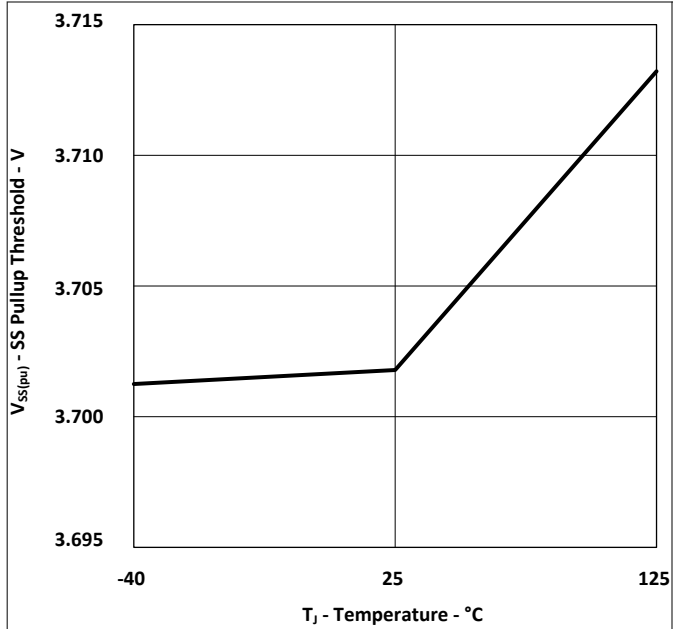


Figure 6-17. SS Pullup Threshold vs Temperature

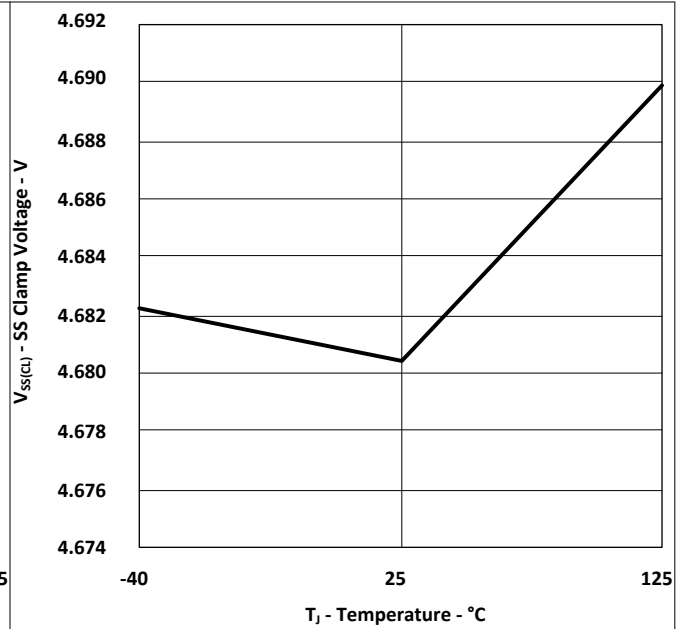


Figure 6-18. SS Clamp Voltage vs Temperature

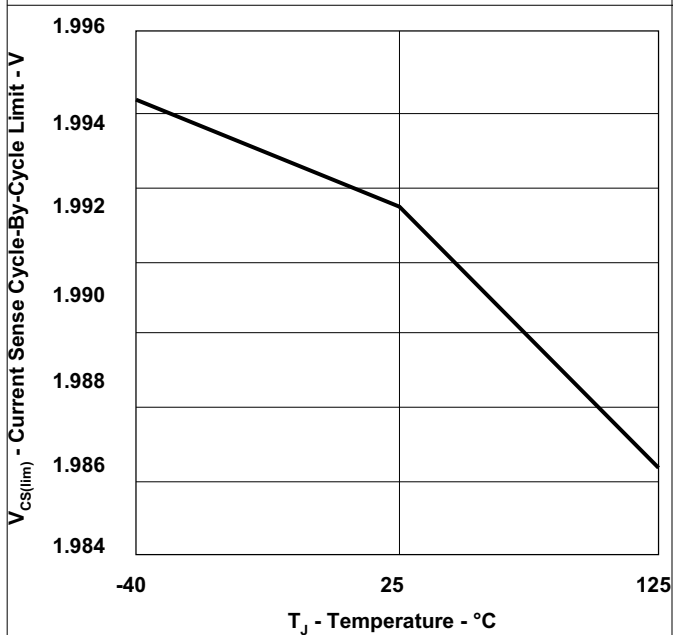


Figure 6-19. Current Sense Cycle-by-Cycle Limit vs Temperature

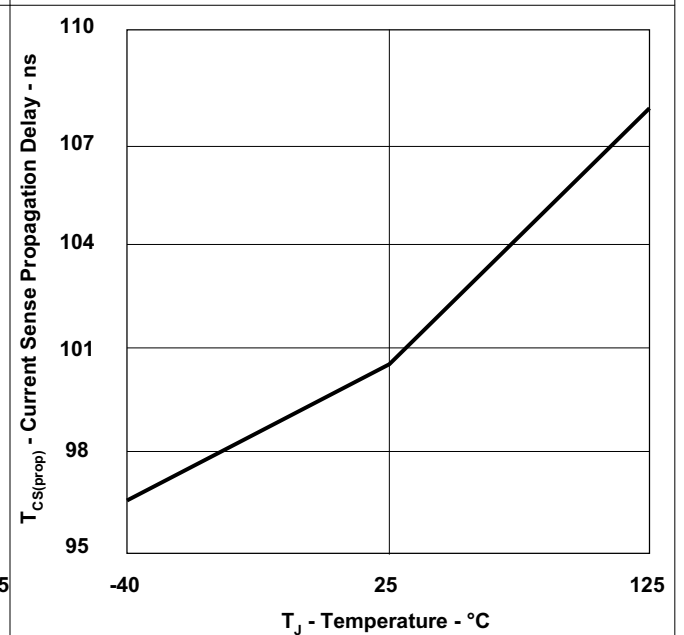


Figure 6-20. Current Sense Propagation Delay vs Temperature

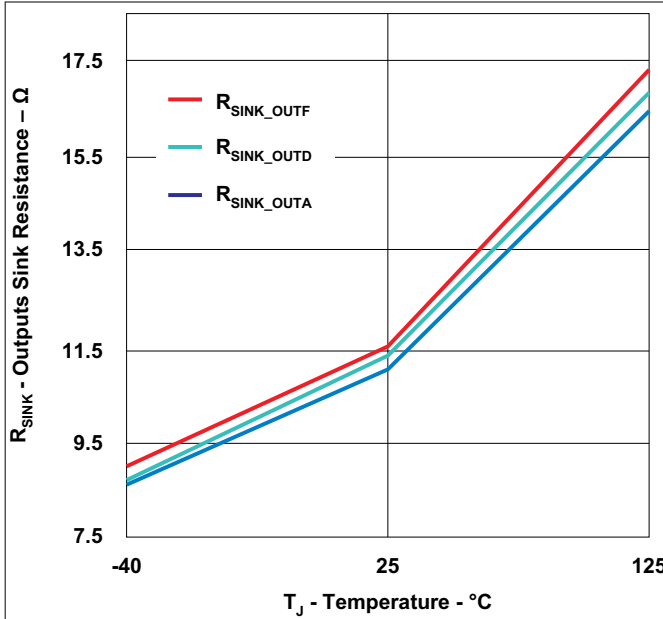


Figure 6-21. Outputs Sink Resistance vs Temperature

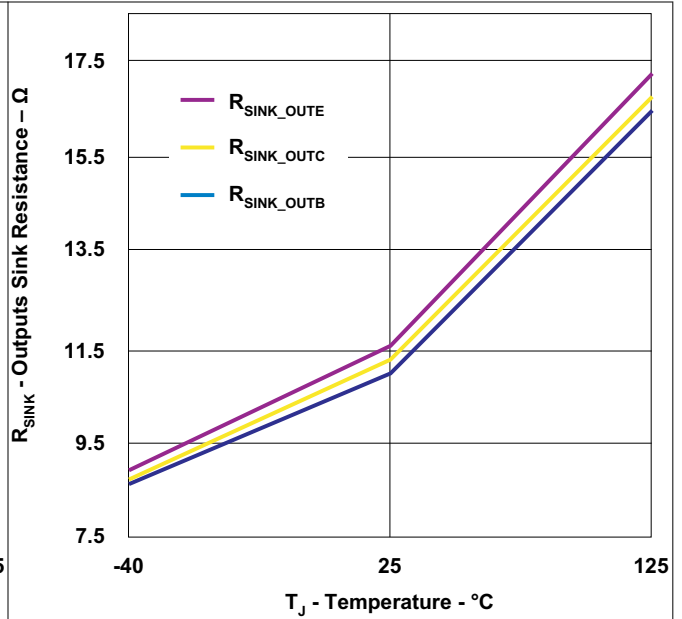


Figure 6-22. Outputs Sink Resistance vs Temperature

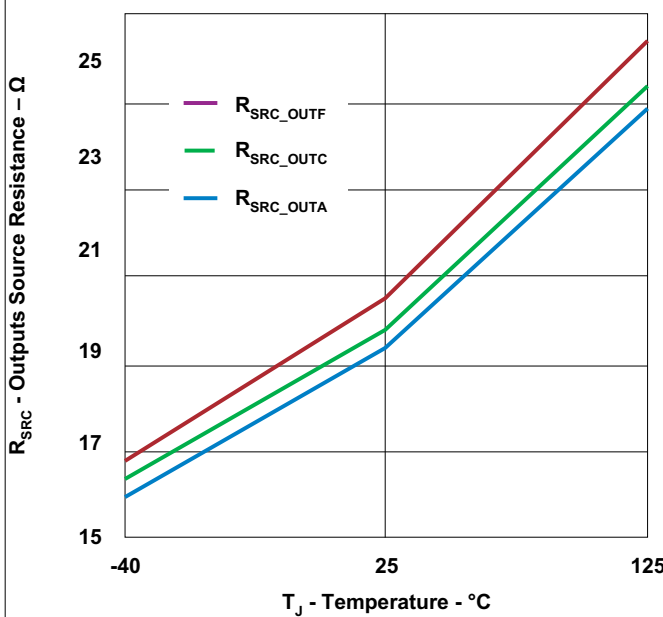


Figure 6-23. Outputs Source Resistance vs Temperature

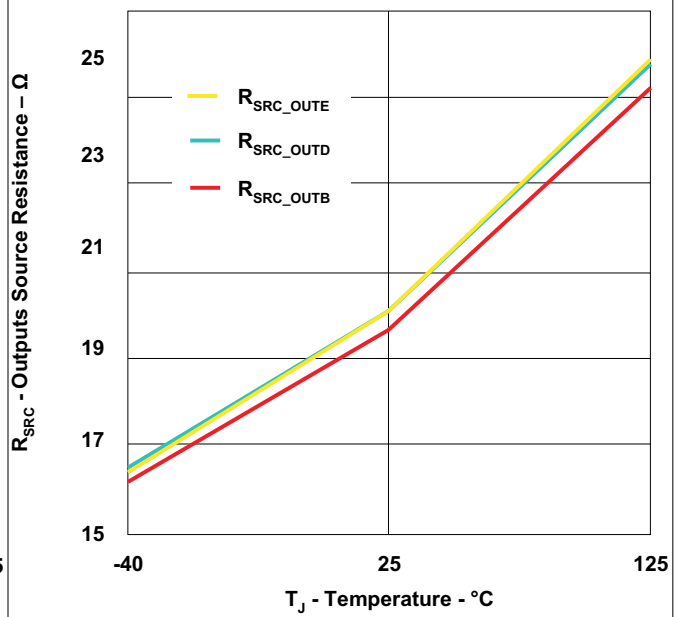


Figure 6-24. Outputs Source Resistance vs Temperature

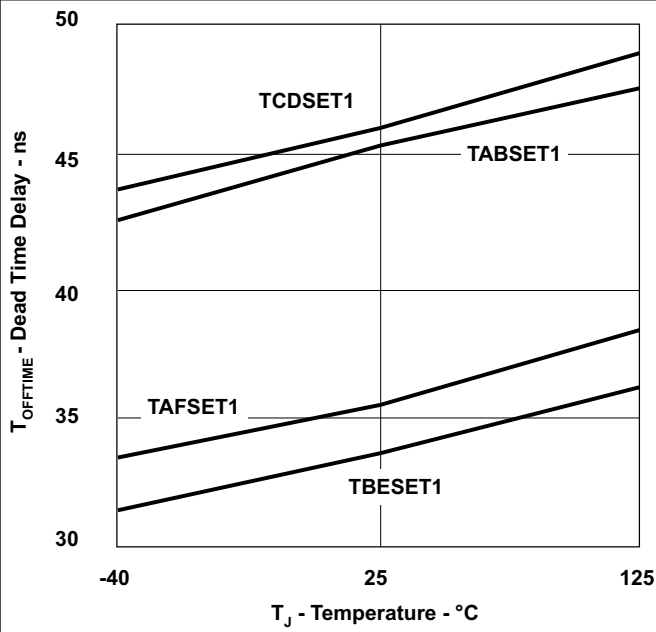


Figure 6-25. Dead Time Delay vs Temperature

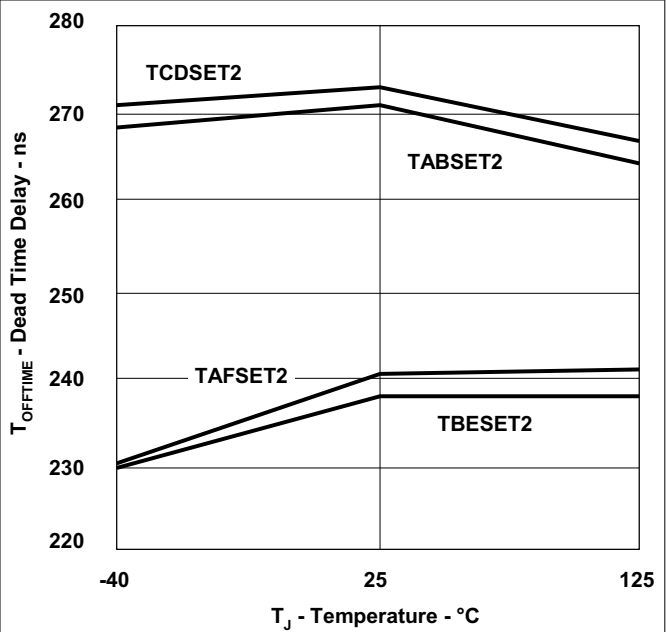


Figure 6-26. Dead Time Delay vs Temperature

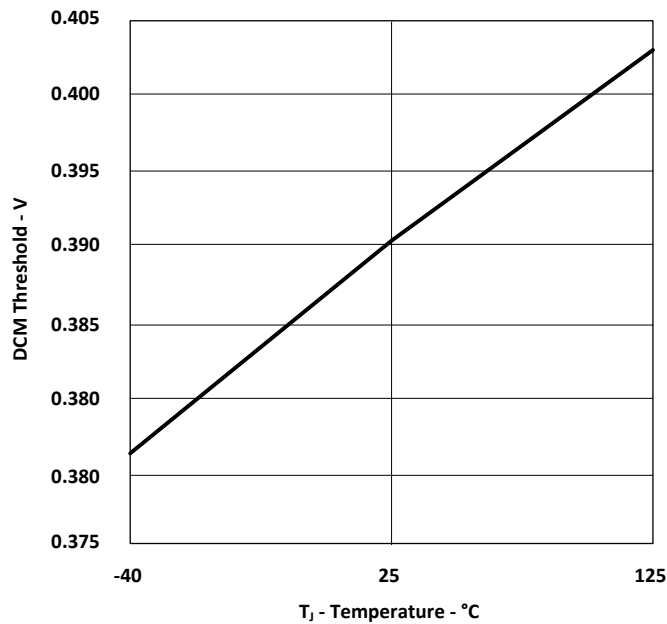


Figure 6-27. DCM Threshold vs Temperature

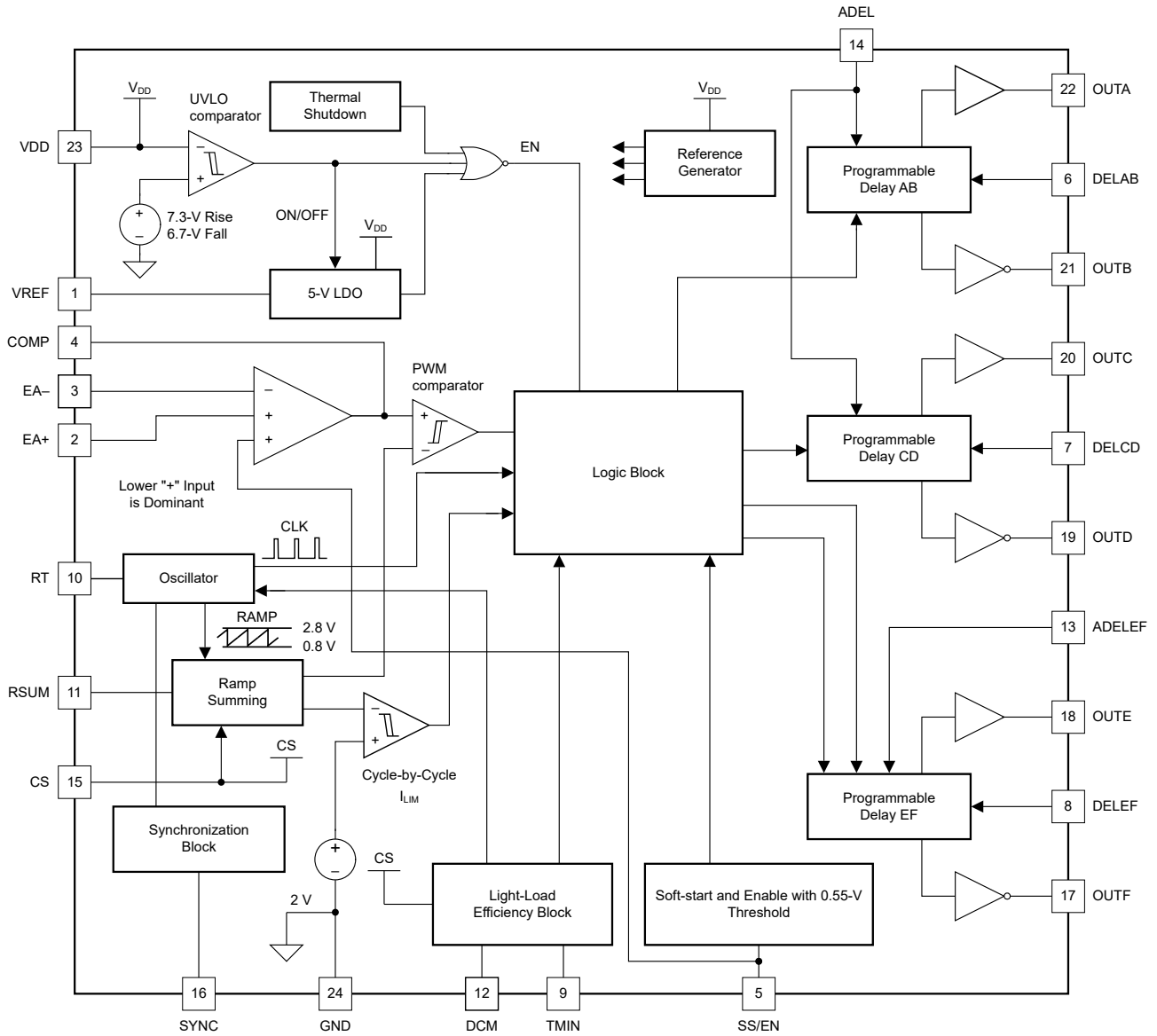
7 Detailed Description

7.1 Overview

The UCC28951-Q1 controller combines all the functions necessary to control a phase-shifted, full-bridge, power stage in a 24-pin TSSOP package. The controller includes two synchronous-rectifier (SR), gate-drive outputs as well as the outputs needed to drive all four switches in the full-bridge circuit. The dead times between the upper and lower switches in the full bridge may be set using the DELAB and DELCD inputs. Further, this dead time may be dynamically adjusted according to the load level using the ADEL pin. This adjustment allows the user to optimize the dead time for their particular power circuit and to achieve ZVS over the entire operating range. In a similar manner, the dead times between the full-bridge switches and the secondary SRs may be optimized using the DELEF input. This dead time may also be dynamically adjusted according to the load, using the ADELEF input to the controller. A DCM (discontinuous conduction mode) option disables the SRs at a user settable light load to improve power circuit efficiency. The controller enters a light-load-burst mode if the feedback loop demands a conduction time less than a user settable level (TMIN).

At higher-power levels, two or more UCC28951-Q1 controllers may be easily synchronized in a leader/follower configuration. A SS/EN input may be used to set the length of the soft start process and to turn the controller on and off. The controller may be configured for voltage mode or current mode control. Cycle-by-cycle current limiting is provided in voltage mode and peak current mode. Users can set the switching frequency over a wide range making this controller suited to both IGBT and MOSFET based designs.

7.2 Functional Block Diagram



7.3 Feature Description

7.3.1 Start-Up Protection Logic

Before the UCC28951-Q1 controller will start up, the following conditions must be met:

- VDD voltage exceeds rising UVLO threshold 7.3-V typical.
- The 5-V reference voltage is available.
- Junction temperature is below the thermal shutdown threshold of 140°C.
- The voltage on the soft-start capacitor is not below 0.55-V typical.

If all those conditions are met, an internal enable signal EN is generated that initiates the soft-start process. The duty cycle during the soft start is defined by the voltage at the SS pin, and cannot be lower than the duty cycle set by TMIN, or by cycle-by-cycle current limit circuit depending on load conditions.

7.3.2 Voltage Reference (VREF)

The accurate ($\pm 1.5\%$) 5-V reference voltage regulator with a short-circuit protection circuit supplies internal circuitry and provides up to 20-mA external output current. Place a low ESR and ESL, preferably ceramic decoupling capacitor C_{REF} in 1- μ F to 2.2- μ F range from this pin to GND as close to the related pins as possible for best performance. The only condition where the reference regulator is shut down internally is during undervoltage lockout.

7.3.3 Error Amplifier (EA+, EA–, COMP)

The error amplifier has two uncommitted inputs, EA+ and EA–, with a 3-MHz unity gain bandwidth, which allows flexibility in closing the feedback loop. The EA+ is a noninverting input, the EA– is an inverting input and the COMP is the output of the error amplifier. The input voltage common-mode range, where the parameters of the error amplifier are ensured, is from 0.5 V to 3.6 V. The output of the error amplifier is connected internally to the noninverting input of the PWM comparator. The range of the error amplifier output of 0.25 V to 4.25 V far exceeds the PWM comparator input ramp-signal range, which is from 0.8 V to 2.8 V. The soft-start signal serves as an additional noninverting input of the error amplifier. The lower of the two noninverting inputs of the error amplifier is the dominant input and sets the duty cycle where the output signal of the error amplifier is compared with the internal ramp at the inputs of the PWM comparator.

7.3.4 Soft-Start and Enable (SS/EN)

The soft-start pin (SS/EN) is a multi-function pin used for the following operations:

- Closed-loop soft start with the gradual duty cycle increase from the minimum set by TMIN up to the steady-state duty cycle required by the regulated output voltage.
- Setting hiccup mode conditions during cycle-by-cycle overcurrent limit.
- On/off control for the converter.

During the soft-start sequence, one of the voltages at the SS/EN or EA+ pins, whichever is lower (SS/EN – 0.55 V) or EA+ voltage (see [Section 7.2](#)), sets the reference voltage for a closed feedback loop. Both SS/EN and EA+ signals are noninverting inputs of the error amplifier with the COMP pin being its output. Thus the soft-start time always goes under the closed feedback loop and the voltage at COMP pin sets the duty cycle. The duty cycle defined by the COMP pin voltage can not be shorter than TMIN pulse width set by the user. However, if the shortest duty cycle is set by the cycle-by-cycle current limit circuit, then it becomes dominant over the duty cycle defined by the COMP pin voltage or by the TMIN block.

The soft-start duration is defined by an external capacitor C_{SS} , connected between the SS/EN pin and ground, and the internal charge current that has a typical value of 25 μA . Pulling the soft-start pin externally below 0.55 V shuts down the controller. The release of the soft-start pin enables the controller to start, and if there is no current limit condition, the duty cycle applied to the output inductor gradually increases until it reaches the steady-state duty cycle defined by the regulated output voltage of the converter. This increase happens when the voltage at the SS/EN pin reaches and then exceeds by 0.55 V, the voltage at the EA+ pin. Thus for the given soft-start time T_{SS} , the C_{SS} value can be defined by [Equation 1](#) or [Equation 2](#):

$$C_{SS(\text{leader})} = \frac{T_{SS} \times 25 \mu\text{A}}{(0.55 + V_{(\text{EA}+)})} \quad (1)$$

$$C_{SS(\text{follower})} = \frac{T_{SS} \times 25 \mu\text{A}}{825 \text{ k}\Omega \times \ln\left(\frac{20.6}{20.6 - 0.55 - V_{(\text{EA}+)}}\right)} \quad (2)$$

For example, in [Equation 1](#), if the soft-start time T_{SS} is 10 ms, and the EA+ pin is 2.5 V, then the soft-start capacitor C_{SS} is equal to 82 nF.

Note

If the converter is configured to operate in follower mode, connect a 825-k Ω ($\pm 5\%$) resistor from the SS pin to ground.

7.3.5 Light-Load Power Saving Features

The UCC28951-Q1 offers four different light-load management techniques for improving the efficiency of a power converter over a wide load current range.

1. Adaptive Delay,
 - a. ADEL, which sets and optimizes the dead-time control for the primary switches over a wide load current range.
 - b. ADELEF, which sets and optimizes the delay-time control between the primary side switches and the secondary side switches.
2. TMIN, sets the minimum pulse width as long as the part is not in current limit mode.
3. Dynamic synchronous rectifier on/off control in DCM Mode, For increased efficiency at light loads. The DCM Mode starts when the voltage at CS pin is lower than the threshold set by the user. In DCM Mode, the synchronous output drive signals OUTE and OUTF are brought down low.
4. Burst Mode, for maximum efficiency at very light loads or no load. Burst Mode has an even number of PWM TMIN pulses followed by off time. Transition to the Burst Mode is defined by the TMIN duration set by the user.

7.3.6 Adaptive Delay, (Delay Between OUTA and OUTB, OUTC and OUTD (*DELAB*, *DELCD*, *ADEL*))

The resistor R_{AB} from the DELAB pin, DELAB to GND, along with the resistor divider R_{AHI} from CS pin to ADEL pin and R_A from ADEL pin to GND sets the delay T_{ABSET} between one of outputs OUTA or OUTB going low and the other output going high [Figure 7-1](#). The total resistance of this resistor divider should be in the range between 10 k Ω and 20 k Ω

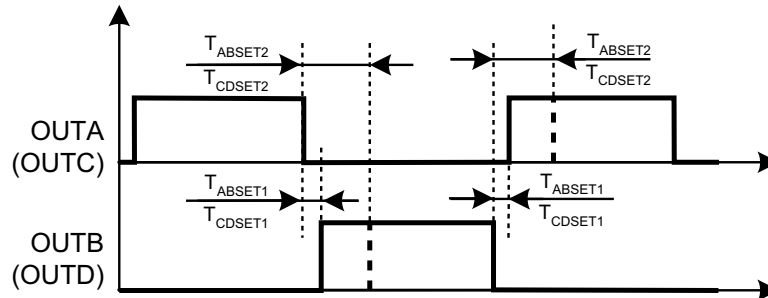


Figure 7-1. Delay Definitions Between OUTA and OUTB, OUTC and OUTD

This delay gradually increases as a function of the CS signal from T_{ABSET1} , which is measured at $V_{CS} = 1.8$ V, to T_{ABSET2} , which is measured at the $V_{CS} = 0.2$ V. This approach ensures there will be no shoot-through current during the high-side and low-side MOSFET switching and optimizes the delay for achieving ZVS condition over a wide load current range. The ratio between the longest and shortest delays is set by the resistor divider R_{AHI} and R_A . The maximum ratio is achieved by tying the CS and ADEL pins together. If ADEL is connected to GND, then the delay is fixed, defined only by the resistor R_{AB} from DELAB to GND. The delay T_{CDSET1} and T_{CDSET2} settings and their behaviour for outputs OUTC and OUTD are very similar to the one described for OUTA and OUTB. The difference is that resistor R_{CD} connected between DELCD pin and GND sets the delay T_{CDSET} . The ratio between the longest and shortest delays is set by the resistor divider R_{AHI} and R_A .

The delay time T_{ABSET} is defined by the following [Equation 3](#).

$$T_{ABSET} = \left(\frac{5 \times R_{AB}}{0.26 \text{ V} + CS \times K_A \times 1.3} \right) \text{ ns} \quad (3)$$

where

- R_{AB} is in k Ω
- CS is the voltage at the CS pin in Volts
- K_A is a numerical coefficient in the range from 0 to 1
- the delay time T_{ABSET} is in ns and is measured at the IC pins

The same equation is used to define the delay time T_{CDSET} in another leg, except R_{AB} is replaced by R_{CD} (see [Equation 4](#)).

$$T_{CDSET} = \left(\frac{5 \times R_{CD}}{0.26 \text{ V} + CS \times K_A \times 1.3} \right) \text{ ns} \quad (4)$$

where

- R_{CD} is in k Ω
- CS is the voltage at the CS pin in Volts
- K_A is a numerical coefficient in the range from 0 to 1
- the delay time T_{CDSET} is in ns and is measured at the IC pins

These equations are empirical and they are approximated from measured data. Thus, there is no unit agreement in the equations. As an example, assume $R_{AB} = 15 \text{ k}\Omega$, $CS = 1 \text{ V}$ and $K_A = 0.5$. Then the T_{ABSET} is approximately 90 ns.

In both Equation 3 and Equation 4, K_A is the same and is defined as Equation 5:

$$K_A = \frac{R_A}{R_A + R_{AHI}} \tag{5}$$

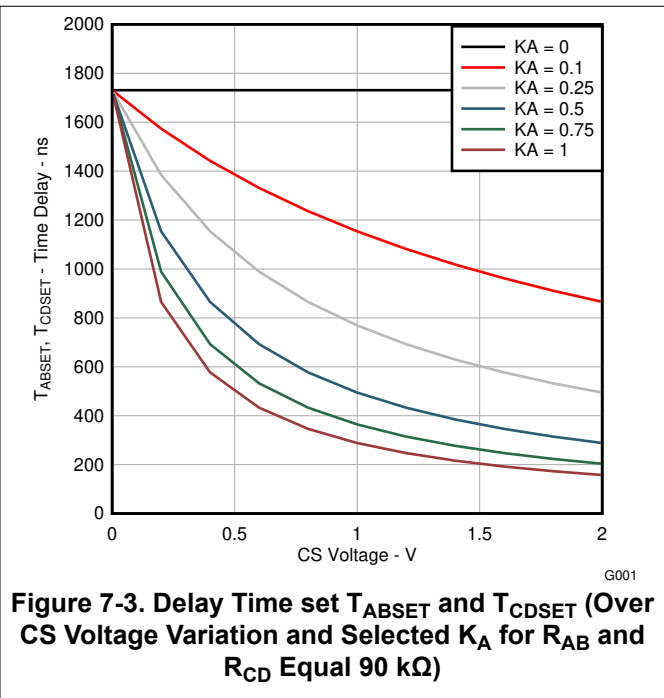
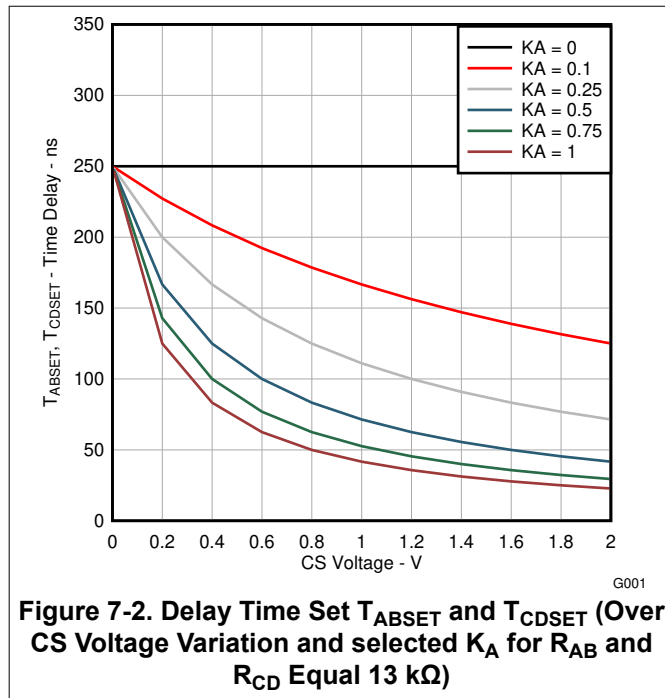
K_A sets how the delay varies with the CS pin voltage as shown in Figure 7-2 and Figure 7-3.

TI recommends starting by setting $K_A = 0$ and set T_{ABSET} and T_{CDSET} relatively large using equations or plots in this data sheet to avoid hard switching or even shoot through current. The delay between outputs A, B and C, D set by resistors R_{AB} and R_{CD} accordingly. Program the optimal delays at light load first. Then by changing K_A set the optimal delay for the outputs A, B at maximum current. K_A for outputs C, D is the same as for A, B. Usually outputs C, D always have ZVS if sufficient delay is provided.

Note

The allowed resistor range on DELAB and DELCD, R_{AB} and R_{CD} is 13 kΩ to 90 kΩ.

R_A and R_{AHI} define the portion of voltage at pin CS applied to the pin ADEL (see Figure 8-3). K_A defines how significantly the delay time depends on CS voltage. K_A varies from 0, where ADEL pin is shorted to ground ($R_A = 0$) and the delay does not depend on CS voltage, to 1, where ADEL is tied to CS ($R_{AHI} = 0$). Setting K_A , R_{AB} , and R_{CD} provides the ability to maintain optimal ZVS conditions of primary switches over load current because the voltage at CS pin includes the load current reflected to the primary side through the current-sensing circuit. The plots in Figure 7-2 and Figure 7-3 show the delay time settings as a function of CS voltage and K_A for two different conditions: $R_{AB} = R_{CD} = 13 \text{ k}\Omega$ (Figure 7-2) and $R_{AB} = R_{CD} = 90 \text{ k}\Omega$ (Figure 7-3).



7.3.7 Adaptive Delay (Delay Between OUTA and OUTF, OUTB and OUTE (*DELEF*, *ADELEF*))

The resistor R_{EF} from the *DELEF* pin to GND along with the resistor divider R_{AEFHI} from CS pin to *ADELEF* pin and R_{AEF} from *ADELEF* pin to GND sets equal delays T_{AFSET} and T_{BESET} between outputs OUTA or OUTB going low and related output OUTF or OUTE going low [Figure 7-4](#). The total resistance of this resistor divider should be in the range between 10 k Ω and 20 k Ω .

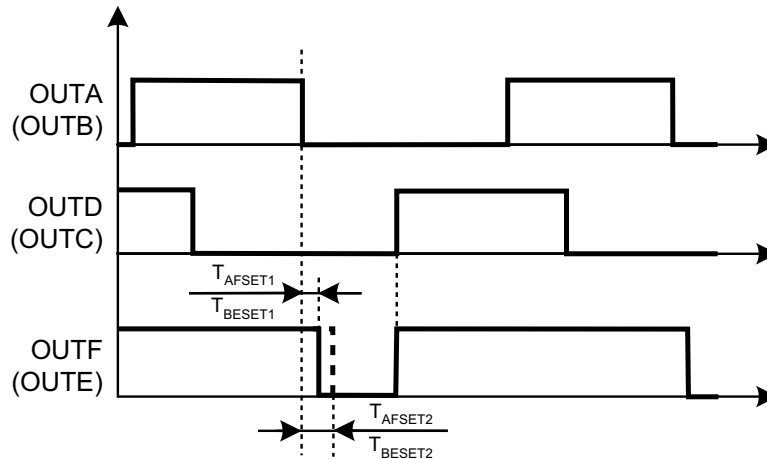


Figure 7-4. Delay Definitions Between OUTA and OUTF, OUTB and OUTE

These delays gradually increase as function of the CS signal from T_{AFSET1} , which is measured at $V_{CS} = 0.2$ V, to T_{AFSET2} , which is measured at $V_{CS} = 1.8$ V. This is opposite to the *DELAB* and *DELCD* behavior and this delay is longest (T_{AFSET2}) when the signal at CS pin is maximized and shortest (T_{AFSET1}) when the CS signal is minimized. This approach will reduce the synchronous rectifier MOSFET body diode conduction time over a wide load current range thus improving efficiency. The ratio between the longest and shortest delays is set by the resistor divider R_{AEFHI} and R_{AEF} . If CS and *ADELEF* are tied, the ratio is maximized. If *ADELEF* is connected to GND, then the delay is fixed, defined only by resistor R_{EF} from *DELEF* to GND.

The delay time T_{AFSET} is defined by the following [Equation 6](#). [Equation 6](#) also defines the delay time T_{BESET} .

$$T_{AFSET} = \left(\left(\frac{5 \times R_{EF}}{2.65 \text{ V} - CS \times K_{EF} \times 1.32} \right) \text{ ns} + 4 \text{ ns} \right) \quad (6)$$

where

- R_{EF} is in k Ω
- the CS, which is the voltage at pin CS, is in volts
- K_{EF} is a numerical gain factor of CS voltage from 0 to 1
- the delay time T_{AFSET} is in ns and is measured at the IC pins

[Equation 6](#) is an empirical approximation of measured data, thus, there is no unit agreement in it. As an example, assume $R_{EF} = 15$ k Ω , $CS = 1$ V and $K_{EF} = 0.5$. Then the T_{AFSET} is going to be 41.7 ns. K_{EF} is defined as [Equation 7](#):

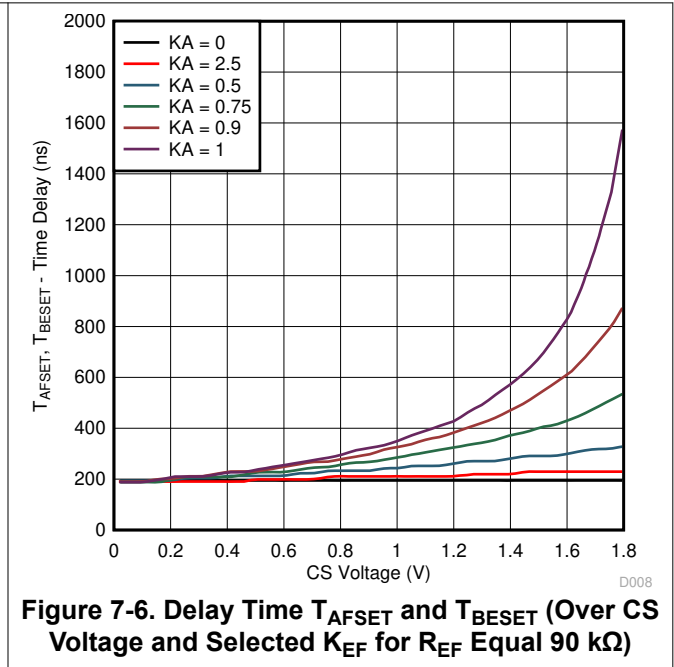
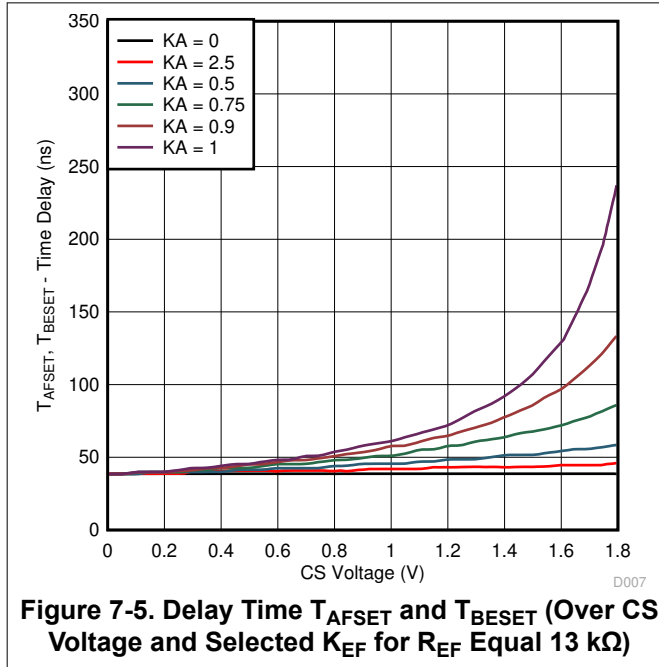
$$K_{EF} = \frac{R_{AEF}}{R_{AEF} + R_{AEF(hi)}} \quad (7)$$

R_{AEF} and R_{AEFHI} define the portion of voltage at pin CS applied to the pin *ADELEF* (see [Figure 8-3](#)). K_{EF} defines how significantly the delay time depends on CS voltage. K_{EF} varies from 0, where *ADELEF* pin is shorted to ground ($R_{AEF} = 0$) and the delay does not depend on CS voltage, to 1, where *ADELEF* is tied to CS ($R_{AEFHI} = 0$).

Note

The allowed resistor range on DELEF, R_{EF} is 13 kΩ to 90 kΩ.

The plots in [Figure 7-5](#) and [Figure 7-6](#) show delay time settings as function of CS voltage and K_{EF} for two different conditions: R_{EF} = 13 kΩ ([Figure 7-5](#)) and R_{EF} = 90kΩ ([Figure 7-6](#))



7.3.8 Minimum Pulse (T_{MIN})

The resistor R_{TMIN} from the TMIN pin to GND sets a fixed minimum pulse width. This pulse is applied to the transformer and enables ZVS at light load. If the output PWM pulse demanded by the feedback loop is shorter than T_{MIN}, then the controller proceeds to burst mode operation where an even number of T_{MIN} pulses are followed by the off time dictated by the feedback loop. The proper selection of the T_{MIN} duration is dictated by the time it takes to raise sufficient magnetizing current in the power transformer to maintain ZVS. The T_{MIN} pulse is measured from the rising edge of OUTA to the falling edge of OUTD – or from the rising edge of OUTB to the falling edge of OUTC. The minimum pulse T_{MIN} is then defined by [Equation 8](#).

$$T_{MIN} = (5.92 \times R_{TMIN}) \text{ ns} \tag{8}$$

where

- T_{MIN} is in ns
- R_{TMIN} is in kΩ

Various propagation and response time delays in the power circuit modify (usually increase) the pulse width that is measured at the transformer. Select the correct T_{MIN} setting using an iterative process due to the propagation and response time delays in the power circuit.

Note

The minimum allowed resistance on the TMIN pin, R_{TMIN} is 10 kΩ.

The related plot is shown in [Figure 7-7](#).

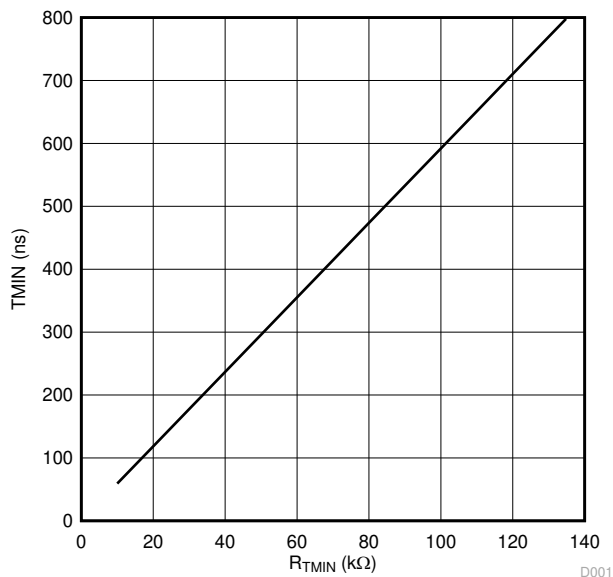


Figure 7-7. Minimum Time T_{MIN} Over Setting Resistor R_{TMIN}

The value of minimum duty cycle D_{MIN} is determined by [Equation 9](#).

$$D_{MIN} = \left(T_{MIN} \times F_{SW(osc)} \times 10^{-4} \right) \% \quad (9)$$

where

- F_{SW(osc)} is oscillator frequency in kHz
- T_{MIN} is the minimum pulse in ns
- and D_{MIN} is in percent

7.3.9 Burst Mode

If the converter is commanding a duty cycle lower than T_{MIN}, then the controller will go into Burst Mode. The controller will always deliver an even number of Power cycles to the Power transformer. The controller always stops its bursts with an OUTB and an OUTC power delivery cycle. If the controller is still demanding a duty cycle less than T_{MIN}, then the controller goes into shut down mode. Then it waits until the converter is demanding a duty cycle equal or higher than T_{MIN} before the controller puts out T_{MIN} or a PWM duty cycle as dictated by COMP voltage pin.

7.3.10 Switching Frequency Setting

Connecting an external resistor R_T between the RT pin and VREF pins sets the fixed frequency operation and configures the controller as a leader providing synchronization output pulses at SYNC pin with 0.5 duty cycle and frequency equal to the internal oscillator. Connect an external resistor RT between the RT and GND pins to configure the controller as a follower. When the controller is used in follower mode, connect a 825 kΩ ±5% resistor from the SS pin to the ground pin in parallel with the SS_EN capacitor. The follower controller operates with 90° phase shift relative to the leader converter if their SYNC pins are tied together. The switching frequency of the converter is equal to the frequency of output pulses.

Equation 10 defines the nominal switching frequency of the converter configured as a leader (resistor R_T between the RT pin and VREF). On the UCC28951-Q1 there is an internal clock oscillator frequency which is twice as that of the controller's output frequency.

$$F_{SW(nom)} = \left(\frac{2.5 \times 10^3}{\left(\frac{R_T}{V_{REF} - 2.5V} + 1 \times \frac{k\Omega}{V} \right)} \right) \text{ kHz} \quad (10)$$

where

- R_T is in $k\Omega$
- VREF is in volts
- $F_{SW(nom)}$ is in kHz

This is also an empirical approximation and thus, there is no unit agreement. Assume for example, $V_{REF} = 5V$, $R_T = 65k\Omega$. Then the switching frequency $F_{SW(nom)}$ is going to be 92.6 kHz.

Equation 11 defines the nominal switching frequency of converter if the converter configured as a follower and the resistor R_T is connected between the RT pin and GND.

$$F_{SW(nom)} = \left(\frac{2.5 \times 10^3}{\left(\frac{R_T}{2.5V} + 1 \times \frac{k\Omega}{V} \right)} \right) \text{ kHz} \quad (11)$$

where

- R_T is in $k\Omega$
- $F_{SW(nom)}$ is in kHz

Notice that for $V_{REF} = 5V$, Equation 10 and Equation 11 yield the same results.

The plot in Figure 7-8 shows how $F_{SW(nom)}$ depends on the resistor R_T value when the $V_{REF} = 5V$. As it is seen from Equation 10 and Equation 11, the switching frequency $F_{SW(nom)}$ is set to the same value for either leader or follower configuration provided the same resistor value R_T is used.

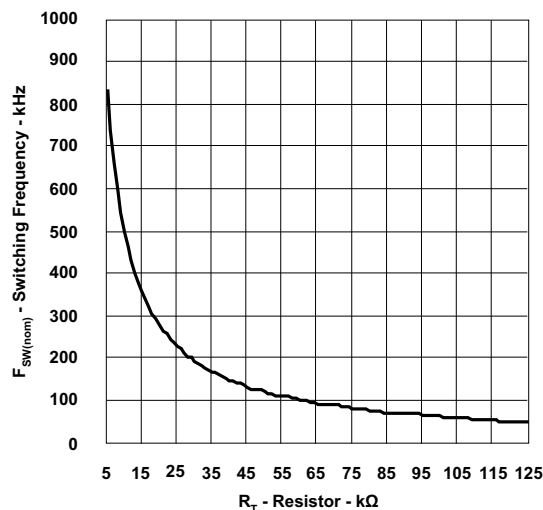


Figure 7-8. Converter Switching Frequency $F_{SW(nom)}$ Over Resistor R_T Value

7.3.11 Slope Compensation (R_{SUM})

Slope compensation prevents a sub-harmonic oscillation in the controller during in peak current mode (PCM) control operation or during cycle-by-cycle current limit at duty cycles above 50% (some publications suggest it may happen at $D < 50\%$). Slope compensation in the controller adds an additional ramp signal to the CS signal and is applied to:

- the PWM comparator in the case of peak current mode control
- the input of the cycle-by-cycle comparator

At low duty cycles and light loads, the slope compensation ramp reduces the noise sensitivity during peak current mode control operation.

Placing a resistor from the R_{SUM} pin to ground allows the controller to operate in PCM control. Connecting a resistor from R_{SUM} to V_{REF} switches the controller to voltage mode control (VMC) with the internal PWM ramp. In VMC the resistor at R_{SUM} provides CS signal slope compensation for operation in cycle-by-cycle current limit. That is, in VMC, the slope compensation is applied only to the cycle-by-cycle comparator while in PCM the slope compensation is applied to both the PWM and cycle-by-cycle current limit comparators. The operation logic of the slope compensation circuit is shown in Figure 7-9.

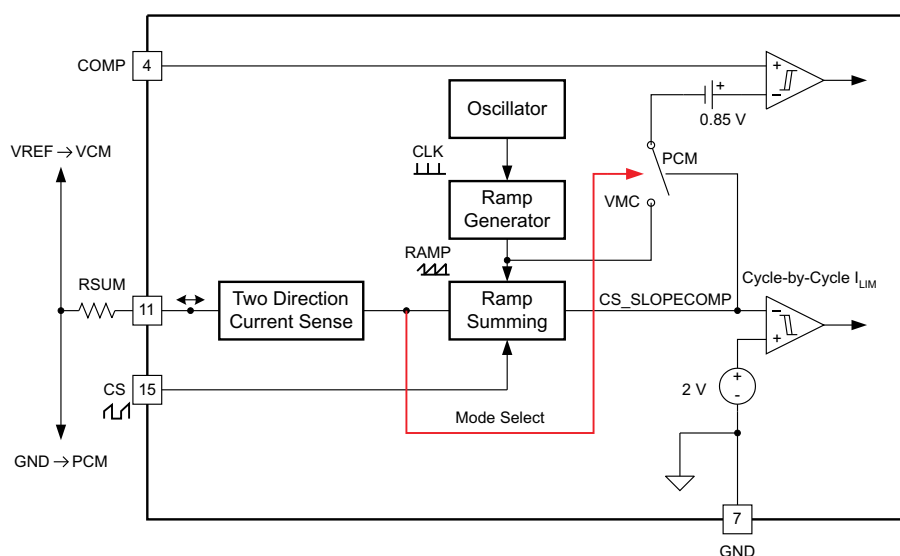


Figure 7-9. The Operation Logic of Slope Compensation Circuit

Too much slope compensation reduces the benefits of PCM control. In the case of cycle-by-cycle current limit, the average current limit becomes lower and this might reduce the start-up capability into large output capacitances.

The optimum compensation ramp varies, depending on duty cycle, L_{OUT} and L_{MAG} . A good starting point in selecting the amount of slope compensation is to set the slope compensation ramp to be half the inductor current ramp downslope (inductor current ramp during the off time). The inductor current ramp downslope (as seen at the CS pin input, and neglecting the effects of any filtering at the CS pin) is calculated in Equation 12:

$$m_o = \frac{V_{OUT}}{L_{OUT}} \times \frac{R_{CS}}{a1 \times CT_{RAT}} \quad (12)$$

where

- V_{OUT} is the output voltage of the converter
- L_{OUT} is the output inductor value
- $a1$ is the transformer turns ratio (N_P/N_S)
- CT_{RAT} is the current transformer ratio (I_P/I_S , typically 100:1)

Selection of L_{OUT} , a_1 and CT_{RAT} are described later in this document. The total slope compensation is $0.5 m_0$. Some of this ramp is due to magnetizing current in the transformer, the rest is added by an appropriately chosen resistor from R_{SUM} to ground.

The slope of the additional ramp, m_e , added to the CS signal by placing a resistor from R_{SUM} to ground is defined by Equation 13.

$$m_e = \left(\frac{2.5}{0.5 \times R_{SUM}} \right) \frac{V}{\mu s} \tag{13}$$

where

- R_{SUM} is in $k\Omega$
- m_e is in $V/\mu s$

If the resistor from the R_{SUM} pin is connected to the V_{REF} pin, then the controller operates in voltage mode control, still having the slope compensation ramp added to the CS signal used for cycle-by-cycle current limit. In this case the slope is defined by Equation 14.

$$m_e = \left(\frac{V_{REF} - 2.5 V}{0.5 \times R_{SUM}} \right) \frac{V}{\mu s} \tag{14}$$

where

- V_{REF} is in volts
- R_{SUM} is in $k\Omega$
- m_e is in $V/\mu s$

These are empirically derived equations without units agreement. As an example, substituting $V_{REF} = 5 V$ and $R_{SUM} = 40 k\Omega$, yields the result $0.125 V/\mu s$. The related plot of m_e as a function of R_{SUM} is shown in Figure 7-10. Because $V_{REF} = 5 V$, the plots generated from Equation 13 and Equation 14 coincide.

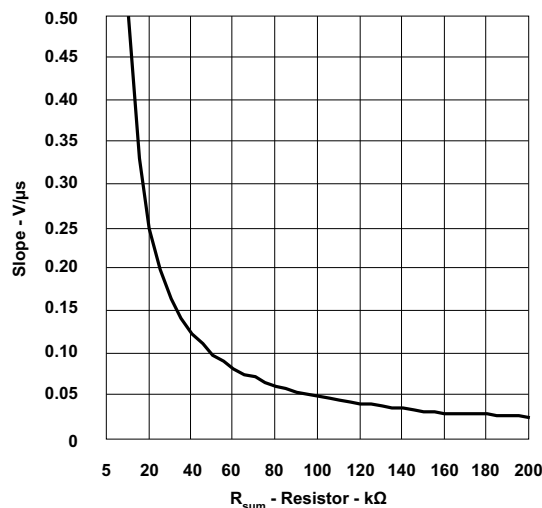


Figure 7-10. Slope of the Added Ramp Over Resistor R_{SUM}

Note

The recommended resistor range for R_{SUM} is 10 $k\Omega$ to 1 $M\Omega$.

7.3.12 Dynamic SR ON/OFF Control (DCM Mode)

The voltage at the DCM pin provided by the resistor divider R_{DCMHI} between VREF pin and DCM, and R_{DCM} from DCM pin to GND, sets the percentage of 2-V current limit threshold for the Current Sense pin, (CS). If the CS pin voltage falls below the DCM pin threshold voltage, then the controller initiates the light load power saving mode, and shuts down the synchronous rectifiers, OUTE and OUTF. If the CS pin voltage is higher than the DCM pin threshold voltage, then the controller runs in CCM mode. Connecting the DCM pin to VREF makes the controller run in DCM mode and shuts both Outputs OUTE and OUTF. Shorting the DCM pin to GND disables the DCM feature and the controller runs in CCM mode under all conditions.

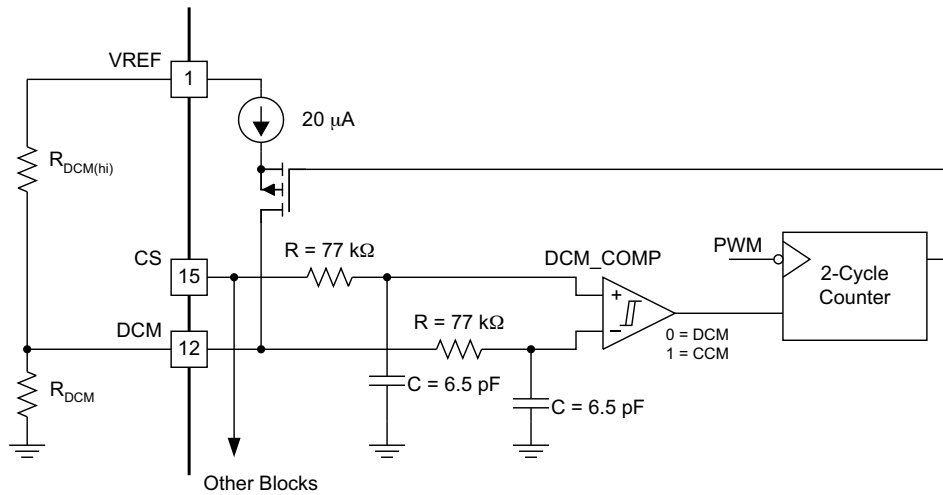


Figure 7-11. DCM Functional Block

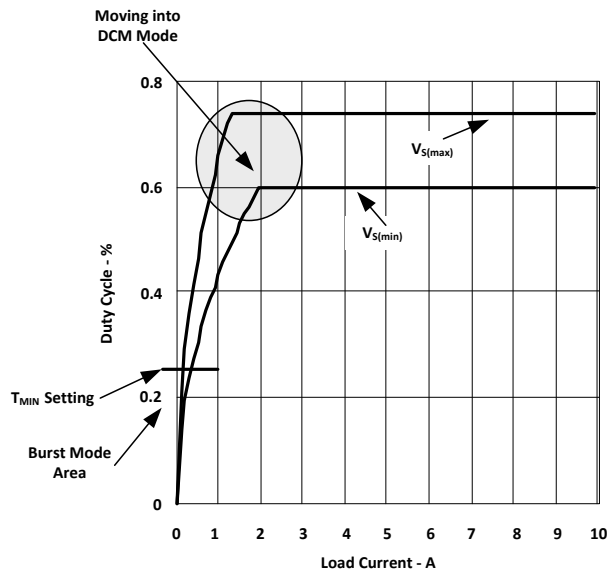


Figure 7-12. Duty Cycle Change Over Load Current Change

A nominal 20-µA switched current source is used to create hysteresis. The current source is active only when the system is in DCM Mode. Otherwise, it is inactive and does not affect the node voltage. Therefore, when in the DCM region, the DCM threshold is the voltage divider plus ΔV explained in Equation 15. When in the CCM region, the threshold is the voltage set by the resistor divider. When the CS pin reaches the threshold set on the DCM pin, the system waits to see two consecutive falling edge PWM cycles before switching from CCM to DCM and vice-versa. The magnitude of the hysteresis is a function of the external resistor divider impedance. The hysteresis can be calculated using Equation 15:

$$\Delta V = 2 \times 10^{-5} \frac{R_{DCMHI} \times R_{DCM}}{R_{DCMHI} + R_{DCM}} \quad (15)$$

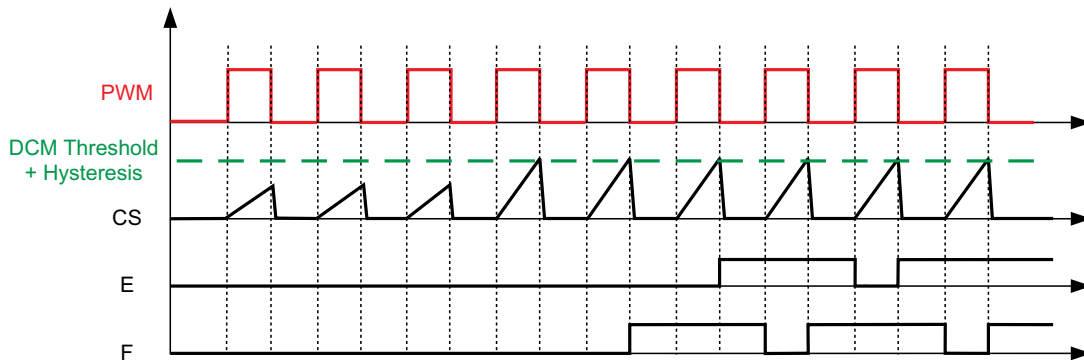


Figure 7-13. Moving From DCM to CCM Mode

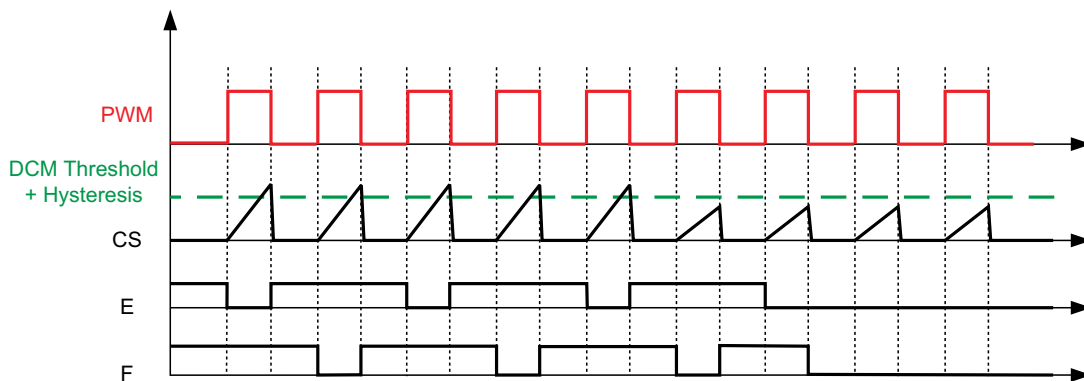


Figure 7-14. Moving From CCM to DCM Mode

DCM must be used to prevent reverse current in the output inductor which could cause the synchronous FETS to fail.

The controller must switch to DCM mode at a level where the output inductor current is positive. If the output inductor current is negative when the controller switches to DCM mode then the synchronous FETs will see a large V_{DS} spike and may fail.

7.3.13 Current Sensing (CS)

The signal from the current sense pin is used for cycle-by-cycle current limit, peak-current mode control, light-load efficiency management and setting the delay time for outputs OUTA, OUTB, OUTC, OUTD and delay time for outputs OUTE, OUTF. Connect the current sense resistor R_{CS} between CS and GND. Depending on layout, to prevent a potential electrical noise interference, TI recommends pulling a small R-C filter between the R_{CS} resistor and the CS pin. There is a 200- Ω pulldown at the CS pin which is turned on after the PWM comparator has tripped. This helps to reset the CS signal prior to the following switching cycle.

7.3.14 Cycle-by-Cycle Current Limit Current Protection and Hiccup Mode

The cycle-by-cycle current limit provides peak current limiting on the primary side of the converter when the load current exceeds its predetermined threshold. For peak current mode control, a certain leading edge blanking time is needed to prevent the controller from false tripping due to switching noise. An internal 30-ns filter at the CS input is provided. The total propagation delay TCS from CS pin to outputs is 100 ns. An external RC filter is still needed if the power stage requires more blanking time. The 2.0-V $\pm 3\%$ cycle-by-cycle current limit threshold is optimized for efficient current transformer based sensing. The duration when a converter operates at cycle-by-cycle current limit depends on the value of soft-start capacitor and how severe the overcurrent condition is. This is achieved by the internal discharge current I_{DS} Equation 16 and Equation 17 at SS pin.

$$I_{DS(\text{leader})} = (-25 \times (1 - D) + 5) \mu\text{A} \quad (16)$$

$$I_{DS(\text{follower})} = (-25 \times (1 - D)) \mu\text{A} \quad (17)$$

The soft-start capacitor value also determines the so-called hiccup mode off-time duration. The behavior of the converter during different modes of operation, along with related soft-start capacitor charge and discharge currents are shown in [Figure 7-15](#).

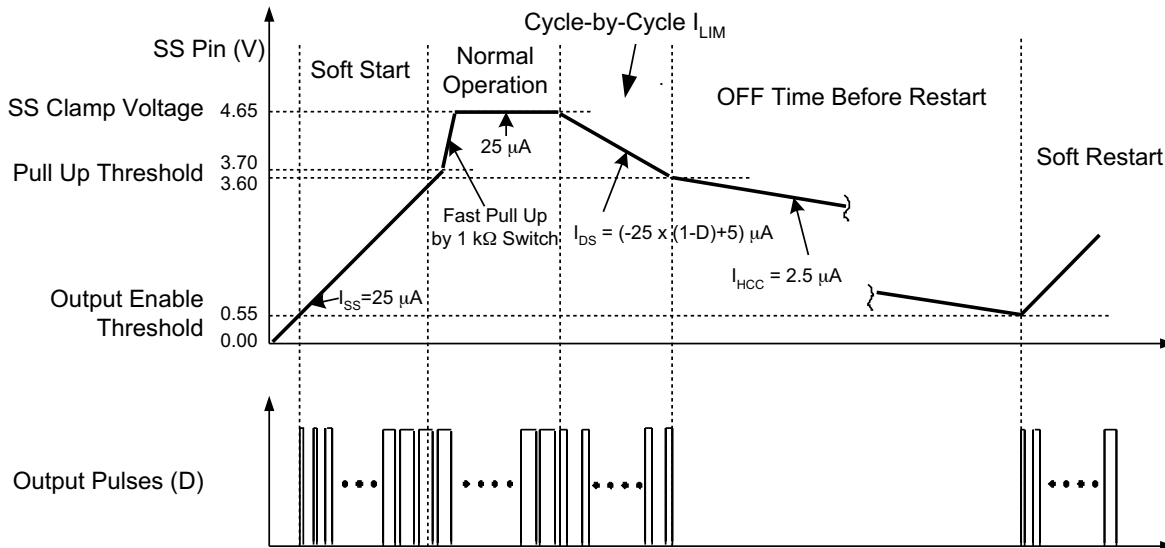


Figure 7-15. Timing Diagram of Soft-Start Voltage V_{SS}

The largest discharge current of $20 \mu\text{A}$ is when the duty cycle is close to zero. This current sets the shortest operation time during the cycle-by-cycle current limit and is defined in [Equation 18](#) and [Equation 19](#)

$$T_{CL(\text{on_leader})} = \frac{C_{SS} \times (4.65 \text{ V} - 3.7 \text{ V})}{20 \mu\text{A}} \quad (18)$$

$$T_{CL(\text{on_follower})} = \frac{C_{SS} \times (4.65 \text{ V} - 3.7 \text{ V})}{25 \mu\text{A}} \quad (19)$$

Thus, if the soft-start capacitor $C_{SS} = 100 \text{ nF}$ is selected, then the $T_{CL(\text{on})}$ time is 5 ms.

To calculate the hiccup off time $T_{CL(\text{off})}$ before the restart, use [Equation 20](#) or [Equation 21](#).

$$T_{CL(\text{off_leader})} = \frac{C_{SS} \times (4.65 \text{ V} - 3.7 \text{ V})}{2.5 \mu\text{A}} \quad (20)$$

$$T_{CL(\text{off_follower})} = \frac{C_{SS} \times (4.65 \text{ V} - 3.7 \text{ V})}{2.5 \mu\text{A}} \quad (21)$$

With the same soft-start capacitor value at 100 nF , the off-time before the restart is 122 ms. If the overcurrent condition occurs before the soft-start capacitor voltage reaches the 3.7-V threshold during start-up, the controller limits the current but the soft-start capacitor continues to be charged. As soon as the 3.7-V threshold is reached, the soft-start voltage is quickly pulled up to the 4.65-V threshold by an internal 1-k Ω $R_{DS(\text{on})}$ switch and the cycle-by-cycle current limit duration timing starts by discharging the soft-start capacitor. Depending on specific design requirements, the user can override this default behavior by applying external charge or discharge currents to the soft-start capacitor. The whole cycle-by-cycle current limit and hiccup operation is shown in [Figure 7-15](#). In this example, the cycle-by-cycle current limit lasts about 5 ms followed by 122 ms of off-time.

Similarly to the overcurrent condition, the hiccup mode with the restart can be disabled by the user if a pullup resistor of 261 k Ω is connected between the SS and VREF pins. The controller remains in the latch-off mode if

an overcurrent condition occurs. In this case, calculate an external soft-start capacitor value with the additional pullup current taken into account. The latch-off mode can be reset externally if the soft-start capacitor is forcibly discharged below 0.55 V or the V_{DD} voltage is lowered below the UVLO threshold.

7.3.15 Synchronization (SYNC)

The UCC28951-Q1 allows flexible configuration of converters operating in synchronized mode by connecting all SYNC pins together and by configuration of the controllers as leader and/or followers. The controller configured as leader (resistor between R_T and V_{REF}) provides synchronization pulses at the SYNC pin with the frequency equal to $2X$ the converter frequency $F_{SW(nom)}$ and 0.5 duty cycle. The controller configured as a follower (resistor between R_T and GND and 825-k Ω resistor between SS_EN pin to GND) does not generate the synchronization pulses. The follower controller synchronizes its own clock to the falling edge of the synchronization signal thus operating 90° phase shifted versus the leader converter's frequency $F_{SW(nom)}$.

The output inductor in a full bridge converter sees a switching frequency which is twice that seen by the transformer. In the case of the UCC28951-Q1 this means that the output inductor operates at $2 \times F_{SW(nom)}$. This means that the 90° phase shift between leader and follower controllers gives a 180° phase shift between the currents in the output inductors and hence maximum ripple cancellation. For more information about synchronizing more than two UCC28951-Q1 devices, see [Synchronizing Three or More UCC28950 Phase-Shifted, Full-Bridge Controllers](#) (SLUA609).

If the synchronization feature is not used then the SYNC pin may be left floating, but connecting the SYNC pin to GND through a 10-k Ω resistor will reduce noise pickup and switching frequency jitter.

- If any converter is configured as a follower, the SYNC frequency must be greater than or equal to 1.8 times the converter frequency.
- follower converter does not start until at least one synchronization pulse has been received.
- If any or all converters are configured as followers, then each converter operates at its own frequency without synchronization after receiving at least one synchronization pulse. Thus, If there is an interruption of synchronization pulses at the follower converter, then the controller uses its own internal clock pulses to maintain operation based on the R_T value that is connected to GND in the follower converter.
- In leader mode, SYNC pulses start after SS pin passes its enable threshold which is 0.55 V.
- follower starts generating SS/EN voltage even though synchronization pulses have not been received.
- TI recommends that the SS on the leader controller starts before the SS on the follower controller; therefore SS/EN pin on leader converter must reach its enable threshold voltage before SS/EN on the follower converter starts for proper operation. On the same note, TI also recommends that the T_{MIN} resistors on both leader and follower are set at the same value.

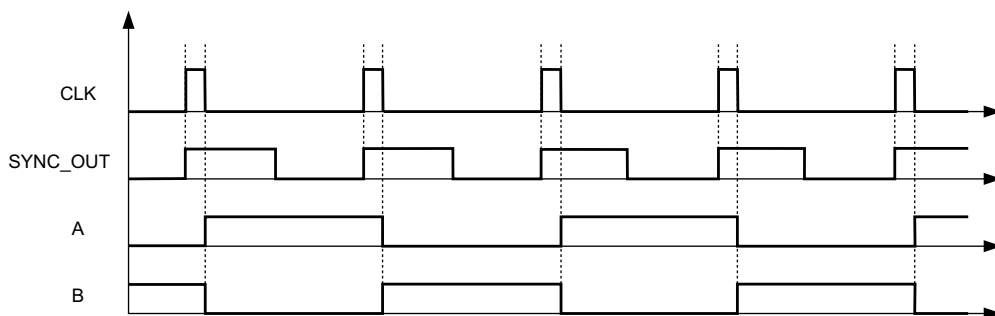


Figure 7-16. SYNC_OUT (leader Mode) Timing Diagram

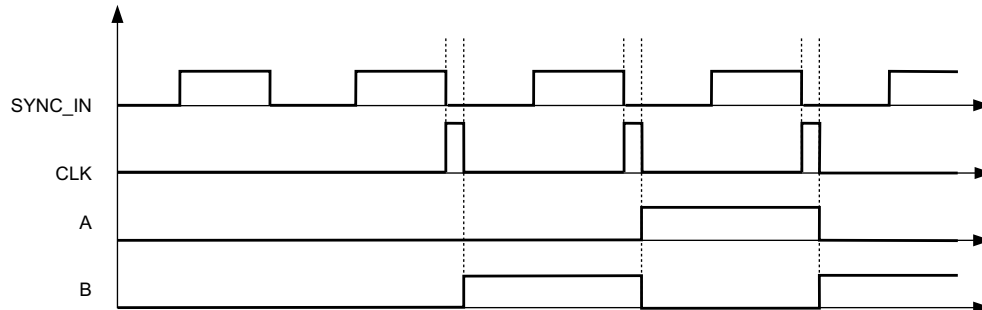


Figure 7-17. SYNC_IN (follower Mode) Timing Diagram

7.3.16 Outputs (OUTA, OUTB, OUTC, OUTD, OUTE, OUTF)

- All MOSFET control outputs have 0.2-A drive capability.
- The control outputs are configured as P-MOS and N-MOS totem poles with typical $R_{DS(on)}$ 20 Ω and 10 Ω , accordingly.
- The control outputs are capable of charging 100-pF capacitor within 12 ns and discharge within 8 ns.
- The amplitude of output control pulses is equal to V_{DD} .
- Control outputs are designed to be used with external gate MOSFET/IGBT drivers.
- The design is optimized to prevent the latch-up of outputs and verified by extensive tests.

The UCC28951-Q1 controller has outputs OUTA, OUTB driving the active leg, initiating the duty cycle leg of power MOSFETs in a phase-shifted full bridge power stage, and outputs OUTC, OUTD driving the passive leg, completing the duty cycle leg, as it is shown in the typical timing diagram in [Figure 8-1](#). Outputs OUTE and OUTF are optimized to drive the synchronous rectifier MOSFETs (see [Figure 8-3](#)). These outputs have 200-mA peak-current capabilities and are designed to drive relatively small capacitive loads like inputs of external MOSFET or IGBT drivers. Recommended load capacitance should not exceed 100 pF. The amplitude of the output signal is equal to the V_{DD} voltage.

7.3.17 Supply Voltage (VDD)

Connect this pin to a bias supply in the range from 8 V to 17 V. Place high-quality, low ESR and ESL and at least 1- μ F ceramic bypass capacitor C_{VDD} from this pin to GND. TI recommends using a 10- Ω resistor in series from the bias supply to the VDD pin to form an RC filter with the C_{VDD} capacitor.

7.3.18 Ground (GND)

All signals are referenced to this node. TI recommends having a separate quiet analog plane connected in one place to the power plane. The analog plane connects the components related to the pins VREF, EA+, EA-, COMP, SS/EN, DELAB, DELCD, DELEF, TMIN, RT, RSUM. The power plane connects the components related to the pins DCM, ADELEF, ADEL, CS, SYNC, OUTF, OUTE, OUTD, OUTC, OUTB, OUTA, and VDD. [Figure 7-18](#) shows an example of layout and ground planes connection.

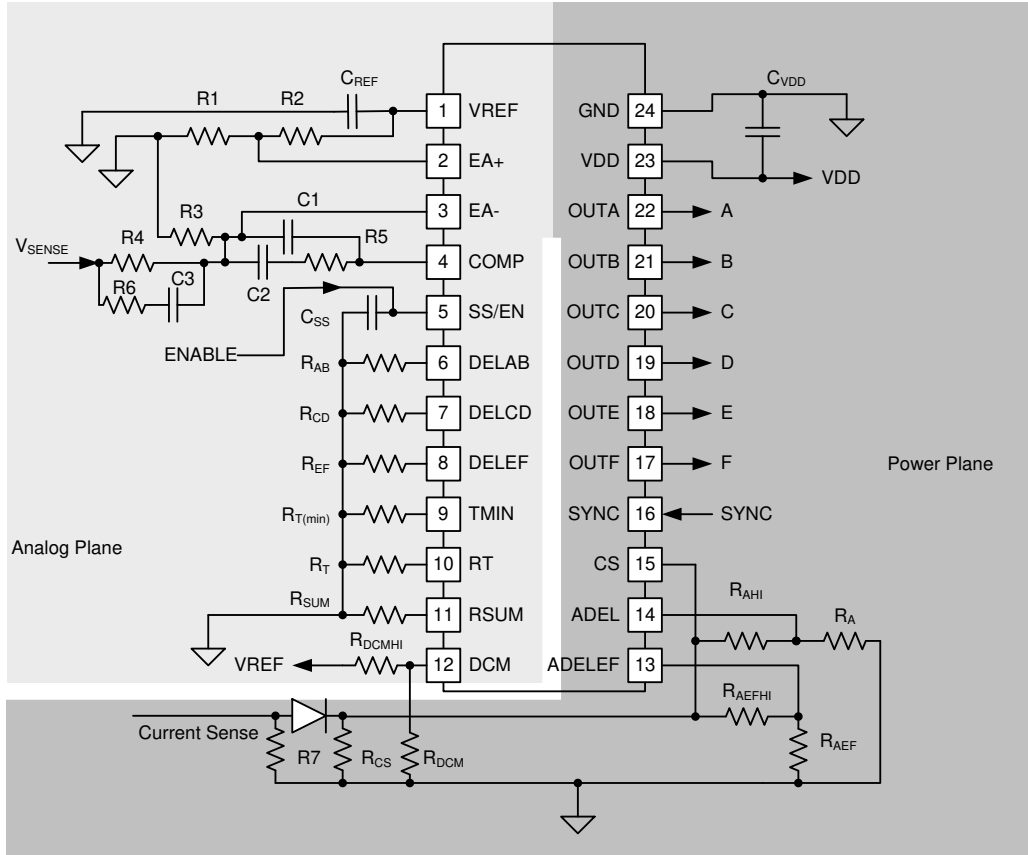


Figure 7-18. Layout Recommendation for Analog and Power Planes

7.4 Device Functional Modes

The UCC28951-Q1 offers many operational modes. These modes are described in detail in [Section 7.3](#).

- Current mode¹. The UCC28951-Q1 controller operates in current mode control when the R_{SUM} pin is connected to GND through a resistor (R_{SUM}). The resistor sets the amount of slope compensation.
- Voltage mode¹. The controller operates in voltage mode control when the R_{SUM} pin is connected to VREF through a resistor (R_{SUM}). The chosen resistor value gives the correct amount of slope compensation for operation in current limit mode (cycle-by-cycle current limit).
- DCM mode. The controller enters DCM mode when the signal at the CS pin falls below the level set by the resistor at the DCM pin. The SR drives (OUTE and OUTF) turn off and secondary rectification occurs through the body diodes of the SRs.
- Burst mode. The controller enters burst mode when the pulse width demanded by the feedback signal falls below the width set by the resistor at the TMIN pin.
- Leader mode. This is the default operation mode of the controller and is used when there is only one UCC28951-Q1 controller in the system. Connect the timing resistor (R_T) from the RT pin to VREF. In a system with more than one UCC28951-Q1 controller, configure one as the leader and the others as followers¹.
- Follower mode. The follower controller operates with a 90° phase shift relative to the leader (providing their SYNC pins are tied together). Connect the timing resistor (R_T) from the RT pin to GND and connect an 825-kΩ ±5% resistor from the SS/EN pin to GND¹.
- Synchronized mode. When a UC28950 controller is configured as a follower, its SYNC pin is used as an input. The follower synchronizes its internal oscillator at 90° to the signal at its SYNC pin. The application note, [Synchronizing Three or More UCC28950 Phase-Shifted, Full-Bridge Controllers](#), discusses how multiple follower controllers may be synchronized to a single leader oscillator.
- Hiccup mode. This mode provides overload protection to the power circuit. The UCC28951-Q1 controller stops switching after a certain time in current limit. It starts again (soft-start) after a delay time. The user can control the time spent in current limit before switching is stopped and the delay time before the soft start happens.
- Current-limit mode. The UCC28951-Q1 controller provides cycle-by-cycle current limiting when the signal at the CS pin reaches 2 V.
- Latch-off mode. Connect a resistor between the SS pin and VREF. The UCC28951-Q1 controller then latches off when the controller enters current-limit mode. ¹

¹ Current mode control and voltage mode control are mutually exclusive as are leader and follower modes.

8 Application and Implementation

Note

Information in the following applications sections is not part of the TI component specification, and TI does not warrant its accuracy or completeness. TI's customers are responsible for determining suitability of components for their purposes, as well as validating and testing their design implementation to confirm system functionality.

8.1 Application Information

The high efficiency of a phase-shifted full-bridge DC-DC converter using the UCC28951-Q1 is achieved by using synchronous rectification, a control algorithm providing ZVS condition over the entire load current range, accurate adaptive timing of the control signals between primary and secondary FETs and special operating modes at light load. A simplified electrical diagram of this converter is shown in [Figure 8-3](#). The UCC28951-Q1 controller is located on the secondary side of converter, although it could be placed on the primary side as well. The secondary side location allows easy power system level communication and better handling of some transient conditions that require fast direct control of the synchronous rectifier MOSFETs. The power stage includes primary side MOSFETs, QA, QB, QC, QD and secondary side synchronous rectifier MOSFETs, QE and QF. For example, for the 12-V output converters in server power supplies use of the center-tapped rectifier scheme with L-C output filter is a popular choice.

To maintain high efficiency at different output power conditions, the converter operates in synchronous rectification mode at mid and high output power levels, transitioning to diode rectifier mode at light load and then into burst mode as the output power becomes even lower. All of these transitions are based on current sensing on the primary side using a current sense transformer in this specific case.

The major waveforms of the phase-shifted converter during normal operation are shown in [Figure 8-1](#). The upper six waveforms in [Figure 8-1](#) show the output drive signals of the controller. In normal mode, the outputs OUTE and OUTF overlap during the part of the switching cycle when both rectifier MOSFETs are conducting and the windings of the power transformer are shorted. Current, I_{PR} , is the current flowing through the primary winding of the power transformer. The bottom four waveforms show the drain-source voltages of rectifier MOSFETs, V_{DS_QE} and V_{DS_QF} , the voltage at the output inductor, V_{L_OUT} , and the current through the output inductor, I_{L_OUT} . Proper timing between the primary switches and synchronous rectifier MOSFETs is critical to achieve highest efficiency and reliable operation in this mode. The controller adjusts the turn OFF timing of the rectifier MOSFETs as a function of load current to ensure minimum conduction time and reverse recovery losses of their internal body diodes.

ZVS is an important feature of relatively high input voltage converters in reducing switching losses associated with the internal parasitic capacitances of power switches and transformers. The controller ensures ZVS conditions over the entire load current range by adjusting the delay time between the primary MOSFETs switching in the same leg in accordance to the load variation. The controller also limits the minimum ON-time pulse applied to the power transformer at light load, allowing the storage of sufficient energy in the inductive components of the power stage for the ZVS transition.

As the load current reduces from full load down to the no-load condition, the controller selects the most efficient power saving mode by moving from the normal operation mode to the discontinuous-current diode-rectification mode and, eventually, at very light-load and at no-load condition, to the burst mode. These modes and related output signals, OUTE, OUTF, driving the rectifier MOSFETs, are shown in [Figure 8-2](#).

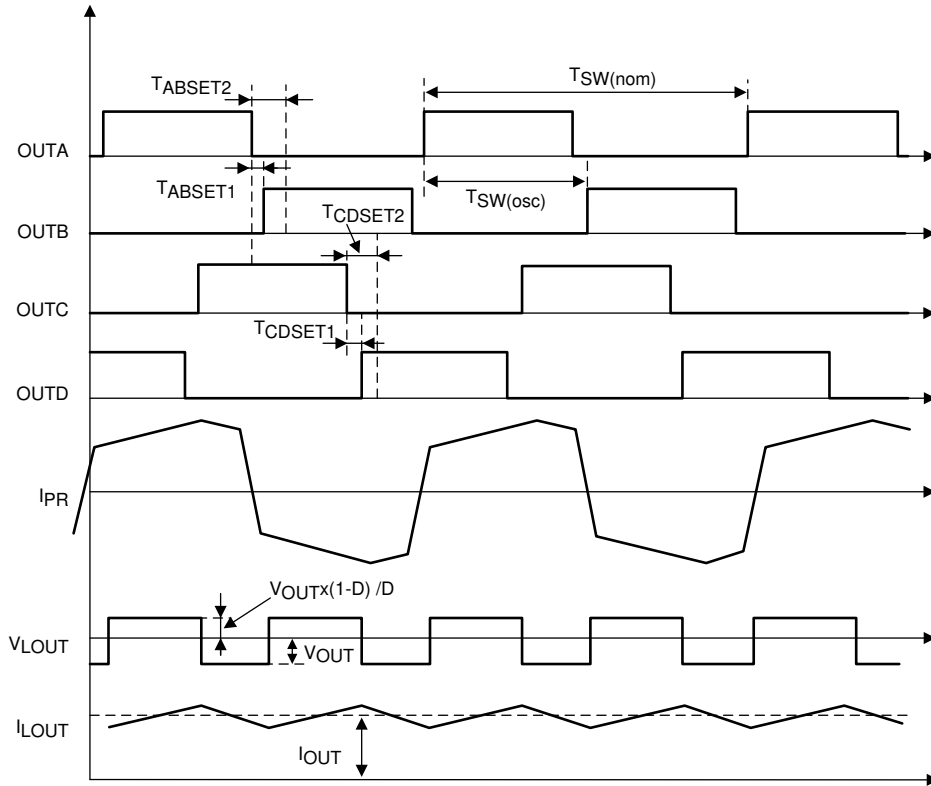


Figure 8-1. Phase-Shifted Converter Waveforms

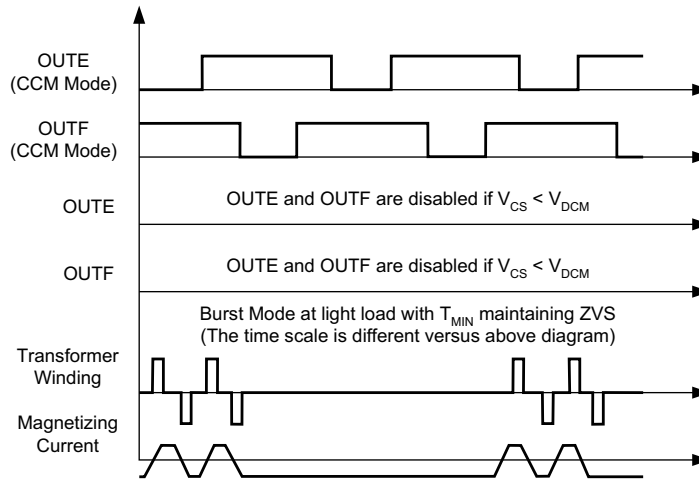


Figure 8-2. Major Waveforms During Transitions Between Different Operating Modes

It is necessary to prevent the reverse current flow through the synchronous rectifier MOSFETs and output inductor at light load, during parallel operation and at some transient conditions. Such reverse current results in circulating of some extra energy between the input voltage source and the load and, therefore, causes increased losses and reduced efficiency. Another negative effect of such reverse current is the loss of ZVS condition. The suggested control algorithm prevents reverse current flow, still maintaining most of the benefits of synchronous rectification by switching off the drive signals of rectifier MOSFETs in a predetermined way. At some pre-determined load current threshold, the controller disables outputs OUTE and OUTF by bringing them down to zero.

Synchronous rectification using MOSFETs requires some electrical energy to drive the MOSFETs. There is a condition below some light-load threshold when the MOSFET drive related losses exceed the saving provided by the synchronous rectification. At such light load, it is best to disable the drive circuit and use the internal body diodes of rectifier MOSFETs, or external diodes in parallel with the MOSFETs, for more efficient rectification. In most practical cases, the drive circuit needs to be disabled close to DCM mode. This mode of operation is called discontinuous-current diode-rectification mode.

At very light-load and no-load conditions, the duty cycle, demanded by the closed-feedback-loop control circuit for output voltage regulation, can be very low. This level leads to the loss of ZVS condition and increased switching losses. To avoid the loss of ZVS, the control circuit limits the minimum ON-time pulse applied to the power transformer using resistor from TMIN pin to GND. Therefore, the only way to maintain regulation at very light load and at no-load condition is to skip some pulses. The controller skips pulses in a controllable manner to avoid saturation of the power transformer. Such operation is called burst mode. In Burst Mode there are always an even number of pulses applied to the power transformer before the skipping off time. Thus, the flux in the core of the power transformer always starts from the same point during the start of every burst of pulses.

8.2 Typical Application

A typical application for the UCC28951-Q1 is a controller for a phase-shifted full-bridge converter that converts a 390-V_{DC} input to a regulated 12-V output using synchronous rectifiers to achieve high efficiency.

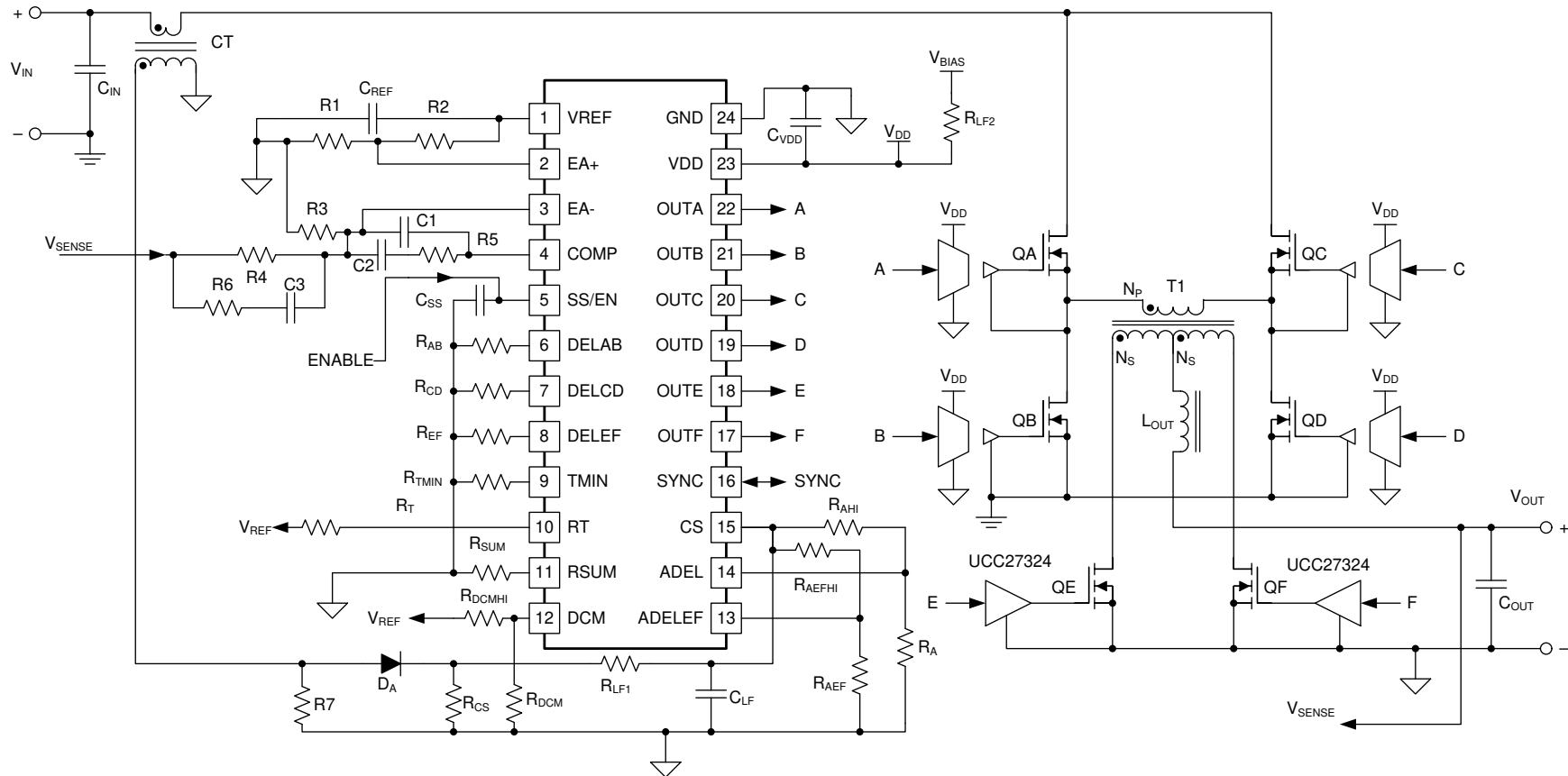


Figure 8-3. Typical Application

8.2.1 Design Requirements

Table 8-1 lists the requirements for this application.

Table 8-1. UCC28951-Q1 Typical Application Design Requirements

	PARAMETER	TEST CONDITIONS	MIN	TYP	MAX	UNIT
INPUT CHARACTERISTICS						
V_{IN}	DC input voltage range		370	390	410	V
$I_{IN(max)}$	Maximum input current	$V_{IN} = 370 V_{DC}$ to $410 V_{DC}$			2	A
OUTPUT CHARACTERISTICS						
V_{OUT}	Output voltage	$V_{IN} = 370 V_{DC}$ to $410 V_{DC}$	11.4	12	12.6	V
I_{OUT}	Output current	$V_{IN} = 370 V_{DC}$ to $410 V_{DC}$			50	A
	Output voltage transient	90% load step		600		mV
P_{OUT}	Continuous output power	$V_{IN} = 370 V_{DC}$ to $410 V_{DC}$			600	W
	Load regulation	$V_{IN} = 370 V_{DC}$ to $410 V_{DC}$, $I_{OUT} = 5 A$ to $50 A$			140	mV
	Line regulation	$V_{IN} = 370 V_{DC}$ to $410 V_{DC}$, $I_{OUT} = 5 A$ to $50 A$			140	mV
	Output ripple voltage	$V_{IN} = 370 V_{DC}$ to $410 V_{DC}$, $I_{OUT} = 5 A$ to $50 A$			200	mV
SYSTEM						
F_{SW}	Switching Frequency			100		kHz
	Full-load efficiency	$V_{IN} = 370 V_{DC}$ to $410 V_{DC}$, $P_{OUT} = 500 W$	93%	94%		

8.2.2 Detailed Design Procedure

In high-power server applications to meet high-efficiency and green standards some power-supply designers have found it easier to use a phase-shifted, full-bridge converter. This is because the phase-shifted, full-bridge converter can obtain zero-voltage switching on the primary side of the converter, reducing switching losses, and EMI and increasing overall efficiency.

This is a review of the design of a 600-W, phase-shifted, full-bridge converter for one of these power systems using the UCC28951-Q1 device, which is based on typical values. In a production design, the values may need to be modified for worst-case conditions. TI has provided a MathCAD Design Tool and an Excel Design Tool to support the system designer. Both tools can be accessed in the [Tools and Software](#) tab of the UCC28951-Q1 product folder on TI.com, or can be downloaded through the following links: [MathCAD Design Tool](#), [Excel Design Tool](#).

Note

The term f_{SW} refers to the switching frequency applied to the power transformer. The output inductor experiences a switching frequency that is $2 \times f_{SW}$.

8.2.2.1 Power Loss Budget

To meet the efficiency goal, a power loss budget must be set (see [Equation 22](#)).

$$P_{\text{BUDGET}} = P_{\text{OUT}} \times \left(\frac{1-\eta}{\eta} \right) \approx 45.2 \text{ W} \quad (22)$$

8.2.2.2 Preliminary Transformer Calculations (T1)

Transformer turns ratio ($a1$) is:

$$a1 = \frac{N_P}{N_S} \quad (23)$$

Estimate FET voltage drop (V_{RDSON}) as: $V_{RDSON} = 0.3 \text{ V}$

Select transformer turns based on 70% duty cycle (D_{MAX}) at minimum specified input voltage. This will give some room for dropout if a PFC front end is used (see [Equation 24](#) and [Equation 25](#)).

$$a1 = \frac{N_P}{N_S} \quad (24)$$

$$a1 = \frac{(V_{\text{INMIN}} - 2 \times V_{\text{RDSON}}) \times D_{\text{MAX}}}{V_{\text{OUT}} + V_{\text{RDSON}}} \approx 21 \quad (25)$$

Turn the ratio and round is to the nearest whole turn: $a1 = 21$

Calculate the typical duty cycle (D_{TYP}) based on average input voltage in [Equation 26](#).

$$D_{\text{TYP}} = \frac{(V_{\text{OUT}} + V_{\text{RDSON}}) \times a1}{(V_{\text{IN}} - 2 \times V_{\text{RDSON}})} \approx 0.66 \quad (26)$$

Output inductor peak-to-peak ripple current is set to 20% of the output current using [Equation 27](#).

$$\Delta I_{L_{OUT}} = \frac{P_{OUT} \times 0.2}{V_{OUT}} = 10 \text{ A} \quad (27)$$

Take care in selecting the correct amount of magnetizing inductance (L_{MAG}). Equation 28 calculates the minimum magnetizing inductance of the primary of the transformer (T1) to ensure the converter operates in current-mode control. As L_{MAG} reduces, the increasing magnetizing current becomes an increasing proportion of the signal at the CS pin. If the magnetizing current increases enough, it can swamp out the current sense signal across R_{CS} and the converter will operate increasingly as if it were in voltage mode control rather than current mode.

$$L_{MAG} \geq \frac{V_{IN} \times (1 - D_{TYP})}{\frac{\Delta I_{L_{OUT}} \times 0.5}{a1} \times 2 \times F_{SW}} \approx 2.78 \text{ mH} \quad (28)$$

Figure 8-4 shows T1 primary current ($I_{PRIMARY}$) and synchronous rectifiers QE (I_{QE}) and QF (I_{QF}) currents with respect to the synchronous rectifier gate drive currents. I_{QE} and I_{QF} are the same as the secondary winding currents of T1. Variable D is the duty cycle of the converter.

Calculate T1 secondary RMS current (I_{SRMS}) in [Equation 29](#) through [Equation 31](#):

$$I_{PS} = \frac{P_{OUT}}{V_{OUT}} + \frac{\Delta I_{LOUT}}{2} \approx 55 \text{ A} \quad (29)$$

$$I_{MS} = \frac{P_{OUT}}{V_{OUT}} - \frac{\Delta I_{LOUT}}{2} \approx 45 \text{ A} \quad (30)$$

$$I_{MS2} = I_{PS} - \frac{\Delta I_{LOUT}}{2} \approx 50 \text{ A} \quad (31)$$

Secondary RMS current (I_{SRMS1}) when energy is being delivered to the secondary (see [Equation 32](#)):

$$I_{SRMS1} = \sqrt{\left(\frac{D_{MAX}}{2}\right) \left[I_{PS} \times I_{MS} + \frac{(I_{PS} - I_{MS})^2}{3} \right]} \approx 29.6 \text{ A} \quad (32)$$

Secondary RMS current (I_{SRMS2}) when current is circulating through the transformer when QE and QF are both on (see [Equation 33](#)).

$$I_{SRMS2} = \sqrt{\left(\frac{1 - D_{MAX}}{2}\right) \left[I_{PS} \times I_{MS2} + \frac{(I_{PS} - I_{MS2})^2}{3} \right]} \approx 20.3 \text{ A} \quad (33)$$

Secondary RMS current (I_{SRMS3}) caused by the negative current in the opposing winding during freewheeling period calculated in [Equation 34](#). Refer to [Figure 8-4](#).

$$I_{SRMS3} = \frac{\Delta I_{LOUT}}{2} \sqrt{\left(\frac{1 - D_{MAX}}{2 \times 3}\right)} \approx 1.1 \text{ A} \quad (34)$$

Total secondary RMS current (I_{SRMS}) is calculated in [Equation 35](#):

$$I_{SRMS} = \sqrt{I_{SRMS1}^2 + I_{SRMS2}^2 + I_{SRMS3}^2} \approx 36.0 \text{ A} \quad (35)$$

Calculate T1 Primary RMS Current (I_{PRMS}) using [Equation 36](#) through [Equation 40](#):

$$\Delta I_{LMAG} = \frac{V_{INMIN} \times D_{MAX}}{L_{MAG} \times 2 \times F_{SW}} \approx 0.47 \text{ A} \quad (36)$$

$$I_{PP} = \left(\frac{P_{OUT}}{V_{OUT} \times \eta} + \frac{\Delta I_{LOUT}}{2} \right) \frac{1}{a1} + \Delta I_{LMAG} \approx 3.3 \text{ A} \quad (37)$$

$$I_{MP} = \left(\frac{P_{OUT}}{V_{OUT} \times \eta} - \frac{\Delta I_{LOUT}}{2} \right) \frac{1}{a1} + \Delta I_{LMAG} \approx 2.8 \text{ A} \quad (38)$$

$$I_{PRMS1} = \sqrt{(D_{MAX}) \left[I_{PP} \times I_{MP} + \frac{(I_{PP} - I_{MP})^2}{3} \right]} \approx 2.5 \text{ A} \quad (39)$$

$$I_{MP2} = I_{PP} - \left(\frac{\Delta I_{LOUT}}{2} \right) \frac{1}{a1} \approx 3.0 \text{ A} \quad (40)$$

T1 Primary RMS (I_{PRMS1}) current when energy is being delivered to the secondary (see [Equation 41](#)).

$$I_{PRMS1} = \sqrt{(D_{MAX}) \left[I_{PP} \times I_{MP} + \frac{(I_{PP} - I_{MP})^2}{3} \right]} \approx 2.5 \text{ A} \quad (41)$$

T1 Primary RMS (I_{PRMS2}) current when the converter is free wheeling. This is calculated in [Equation 42](#):

$$I_{PRMS2} = \sqrt{(1 - D_{MAX}) \left[I_{PP} \times I_{MP2} + \frac{(I_{PP} - I_{MP2})^2}{3} \right]} \approx 1.7 \text{ A} \quad (42)$$

The total T1 primary RMS current (I_{PRMS}) is calculated using [Equation 43](#):

$$I_{PRMS} = \sqrt{I_{PRMS1}^2 + I_{PRMS2}^2} \approx 3.1 \text{ A} \quad (43)$$

For this design, a Vitec™ transformer was selected for part number 75PR8107 with the following specifications:

- $a1 = 21$
- $L_{MAG} = 2.8 \text{ mH}$
- measured leakage inductance on the Primary (L_{LK}) is $4 \mu\text{H}$
- transformer Primary DC resistance (DCR_P) is 0.215Ω
- transformer Secondary DC resistance (DCR_S) is $0.58 \text{ m}\Omega$
- estimated transformer core losses (P_{T1}) calculated in [Equation 44](#) are twice the copper loss (which is an estimate and the total losses may vary based on magnetic design)

$$P_{T1} \approx 2 \times (I_{PRMS}^2 \times DCR_P + 2 \times I_{SRMS}^2 \times DCR_S) \approx 7.0 \text{ W} \quad (44)$$

Calculate remaining power budget using [Equation 45](#):

$$P_{BUDGET} = P_{BUDGET} - P_{T1} \approx 38.1 \text{ W} \quad (45)$$

8.2.2.3 QA, QB, QC, QD FET Selection

In this design to meet efficiency and voltage requirements 20 A, 650 V, CoolMOS FETs from Infineon are chosen for QA..QD.

The FET drain to source on resistance is:

$$R_{ds(on)QA} = 0.220 \Omega \quad (46)$$

The FET Specified C_{OSS} is:

$$C_{\text{OSS_QA_SPEC}} = 780 \text{ pF} \quad (47)$$

The voltage across drain-to-source (V_{dsQA}) where C_{OSS} was measured as a data sheet parameter:

$$V_{\text{dsQA}} = 25 \text{ V} \quad (48)$$

Calculate average C_{OSS} [2] using [Equation 49](#):

$$C_{OSS_QA_AVG} = C_{OSS_QA_SPEC} \sqrt{\frac{V_{dsQA}}{V_{INMAX}}} \approx 193 \text{ pF} \quad (49)$$

The QA FET gate charge is:

$$QA_g = 15 \text{ nC} \quad (50)$$

The voltage applied to FET gate to activate FET is:

$$V_g = 12 \text{ V} \quad (51)$$

Calculate QA losses (P_{QA}) based on $R_{ds(on)QA}$ and gate charge (QA_g) using [Equation 52](#):

$$P_{QA} = I_{PRMS}^2 \times R_{DS(on)QA} + 2 \times QA_g \times V_g \times f_{SW} \approx 2.1 \text{ W} \quad (52)$$

Recalculate the power budget using [Equation 53](#):

$$P_{BUDGET} = P_{BUDGET} - 4 \times P_{QA} \approx 29.7 \text{ W} \quad (53)$$

8.2.2.4 Selecting L_S

Calculating the value of the shim inductor (L_S) is based on the amount of energy required to achieve zero voltage switching. This inductor needs to be able to deplete the energy from the parasitic capacitance at the switch node. [Equation 54](#) selects L_S to achieve ZVS at 100% load down to 50% load based on the primary FET's average total C_{OSS} at the switch node.

Note

The actual parasitic capacitance at the switched node may differ from the estimate and L_S may have to be adjusted accordingly.

$$L_S \geq \left(2 \times C_{OSS_QA_AVG} \right) \frac{V_{INMAX}^2}{\left(\frac{I_{PP}}{2} - \frac{\Delta I_{LOUT}}{2 \times a1} \right)^2} - L_{LK} \approx 26 \mu\text{H} \quad (54)$$

For this design, a 26- μH Vitec inductor was chosen for L_S , part number 60PR964. The shim inductor has the following specifications:

$$L_S = 26 \mu\text{H} \quad (55)$$

The L_S DC Resistance is:

$$DCR_{L_S} = 27 \text{ m}\Omega \quad (56)$$

Estimate L_S power loss (P_{L_S}) and readjust remaining power budget using [Equation 57](#) through [Equation 58](#):

$$P_{L_S} = 2 \times I_{PRMS}^2 \times DCR_{L_S} \approx 0.5 \text{ W} \quad (57)$$

$$P_{\text{BUDGET}} = P_{\text{BUDGET}} - P_{\text{LS}} \approx 29.2 \text{ W} \quad (58)$$

8.2.2.5 Selecting Diodes D_B and D_C

There is a potential for high voltage ringing on the secondary rectifiers, caused by the difference in current between the transformer and the shim inductor when the transformer comes out of freewheeling. Diodes D_B and D_C provide a path for this current and prevent any ringing by clamping the transformer primary to the primary side power rails. Normally these diodes do not dissipate much power, but must be sized to carry the full primary current. The worst case power dissipated in these diodes is calculated using [Equation 59](#):

$$P = 0.5 \times L_S \times I_{\text{PRMS}}^2 \times F_{\text{SW}} \quad (59)$$

Choose ultra-fast type diodes rated for the input voltage of the converter – V_{IN} (410 VDC in this case).

The MURS360 diode accommodates this power level.

8.2.2.6 Output Inductor Selection (L_{OUT})

Inductor L_{OUT} is designed for 20% inductor ripple current ($\Delta I_{\text{L}_{\text{OUT}}}$) calculated in [Equation 60](#) and [Equation 61](#):

$$\Delta I_{\text{L}_{\text{OUT}}} = \frac{P_{\text{OUT}} \times 0.2}{V_{\text{OUT}}} = \frac{600 \text{ W} \times 0.2}{12 \text{ V}} \approx 10 \text{ A} \quad (60)$$

$$L_{\text{OUT}} = \frac{V_{\text{OUT}} \times (1 - D_{\text{TYP}})}{\Delta I_{\text{L}_{\text{OUT}}} \times 2 \times f_{\text{SW}}} \approx 2 \mu\text{H} \quad (61)$$

Calculate output inductor RMS current ($I_{\text{L}_{\text{OUT_RMS}}}$) using [Equation 62](#):

$$I_{\text{L}_{\text{OUT_RMS}}} = \sqrt{\left(\frac{P_{\text{OUT}}}{V_{\text{OUT}}}\right)^2 + \left(\frac{\Delta I_{\text{L}_{\text{OUT}}}}{2\sqrt{3}}\right)^2} = 50.1 \text{ A} \quad (62)$$

A 2- μH inductor from Vitec Electronics Corporation, part number 75PR8108, is suitable for this design. The inductor has the following specifications:

$$L_{\text{OUT}} = 2 \mu\text{H} \quad (63)$$

The output inductor DC resistance is:

$$\text{DCR}_{\text{L}_{\text{OUT}}} = 750 \mu\Omega \quad (64)$$

Estimate output inductor losses ($P_{\text{L}_{\text{OUT}}}$) using [Equation 65](#) and recalculate the power budget using [Equation 66](#). Note $P_{\text{L}_{\text{OUT}}}$ is an estimate of inductor losses that is twice the copper loss. Note this may vary based on magnetic manufacturers. It is advisable to double check the magnetic loss with the magnetic manufacturer.

$$P_{\text{L}_{\text{OUT}}} = 2 \times I_{\text{L}_{\text{OUT_RMS}}}^2 \times \text{DCR}_{\text{L}_{\text{OUT}}} \approx 3.8 \text{ W} \quad (65)$$

$$P_{\text{BUDGET}} = P_{\text{BUDGET}} - P_{\text{L}_{\text{OUT}}} \approx 25.4 \text{ W} \quad (66)$$

8.2.2.7 Output Capacitance (C_{OUT})

The output capacitor is selected based on holdup and transient (V_{TRAN}) load requirements.

The time it takes L_{OUT} to change 90% of its full load current is calculated in [Equation 67](#):

$$t_{HU} = \frac{L_{OUT} \times P_{OUT} \times 0.9}{V_{OUT}} = 7.5 \mu s \quad (67)$$

During load transients most of the current will immediately go through the capacitors equivalent series resistance (ESR_{COUT}). [Equation 68](#) and [Equation 69](#) are used to select ESR_{COUT} and C_{OUT} based on a 90% load step in current. The ESR is selected for 90% of the allowable transient voltage (V_{TRAN}), while the output capacitance (C_{OUT}) is selected for 10% of V_{TRAN} .

$$ESR_{COUT} \leq \frac{V_{TRAN} \times 0.9}{\frac{P_{OUT} \times 0.9}{V_{OUT}}} = 12 m\Omega \quad (68)$$

$$C_{OUT} \geq \frac{P_{OUT} \times 0.9 \times t_{HU}}{V_{TRAN} \times 0.1} \approx 5.6 mF \quad (69)$$

Before selecting the output capacitor, the output capacitor RMS current (I_{COUT_RMS}) must be calculated using [Equation 70](#).

$$I_{COUT_RMS} = \frac{\Delta I_{LOUT}}{\sqrt{3}} \approx 5.8 A \quad (70)$$

To meet the design requirements five 1500- μF , aluminum electrolytic capacitors are chosen for the design from United Chemi-Con™, part number EKY-160ELL152MJ30S. These capacitors have an ESR of 31 m Ω .

The number of output capacitors (n) is 5.

The total output capacitance is calculated using [Equation 71](#):

$$C_{OUT} = 1500 \mu F \times n \approx 7500 \mu F \quad (71)$$

The effective output capacitance ESR is calculated using [Equation 72](#):

$$ESR_{COUT} = \frac{31 m\Omega}{n} = 6.2 m\Omega \quad (72)$$

Calculate output capacitor loss (P_{COUT}) using [Equation 73](#):

$$P_{COUT} = I_{COUT_RMS}^2 \times ESR_{COUT} \approx 0.21 W \quad (73)$$

Recalculate the remaining Power Budget using [Equation 74](#):

$$P_{BUDGET} = P_{BUDGET} - P_{COUT} \approx 25.2 W \quad (74)$$

8.2.2.8 Select FETs QE and QF

Selecting FETs for a design is an iterative process. To meet the power requirements of this design, we select 75-V, 120-A FETs, from Fairchild, part number FDP032N08. These FETs have the following characteristics.

$$QE_g = 152\text{nC} \tag{75}$$

$$R_{ds(on)QE} = 3.2\text{m}\Omega \tag{76}$$

Calculate average FET C_{OSS} ($C_{OSS_QE_AVG}$) based on the data sheet parameters for C_{OSS} (C_{OSS_SPEC}), and drain to source voltage where C_{OSS_SPEC} was measured (V_{ds_spec}), and the maximum drain to source voltage in the design (V_{dsQE}) that will be applied to the FET in the application.

The voltage across FET QE and QF when they are of isf:

$$V_{dsQE} = \frac{2V_{INMAX}}{a1} = 39\text{V} \tag{77}$$

The voltage where FET C_{OSS} is specified and tested in the FET data sheet:

$$V_{ds_spec} = 25\text{V} \tag{78}$$

The specified output capacitance from FET data sheet is:

$$C_{OSS_SPEC} = 1810\text{pF} \tag{79}$$

The average QE and QF C_{OSS} [2] is calculated using [Equation 80](#):

$$C_{OSS_QE_AVG} = C_{OSS_SPEC} \sqrt{\frac{V_{ds_SPEC}}{V_{dsQE}}} \approx 1.9\text{nF} \tag{80}$$

The QE and QF RMS current are:

$$I_{QE_RMS} = I_{SRMS} = 36.0\text{A} \tag{81}$$

To estimate FET switching loss the V_g vs. Q_g curve from the FET data sheet needs to be studied. First the gate charge at the beginning of the miller plateau needs to be determined (QE_{MILLER_MIN}) and the gate charge at the end of the miller plateau (QE_{MILLER_MAX}) for the given V_{DS} .

The maximum gate charge at the end of the miller plateau is:

$$QE_{MILLER_MAX} \approx 100\text{nC} \tag{82}$$

The minimum gate charge at the beginning of the miller plateau is:

$$QE_{MILLER_MIN} \approx 52\text{nC} \tag{83}$$

Note

The FETs in this design are driven with a UCC27324 Gate Driver IC, setup to drive 4-A (I_p) of gate drive current.

$$I_p \approx 4 \text{ A} \quad (84)$$

Estimated FET V_{ds} rise and fall time using Equation 85:

$$t_r \approx t_f = \frac{100\text{nC} - 52\text{nC}}{\frac{I_p}{2}} = \frac{48\text{nC}}{\frac{4\text{A}}{2}} \approx 24 \text{ ns} \quad (85)$$

Estimate QE and QF FET Losses (P_{QE}) using Equation 86:

$$P_{QE} = I_{QE_RMS}^2 \times R_{ds(on)QE} + \frac{P_{OUT}}{V_{OUT}} \times V_{dsQE} (t_r + t_f) f_{SW} + 2 \times C_{OSS_QE_AVG} \times V_{dsQE}^2 f_{SW} + 2 \times Q_{gQE} \times V_{gQE} f_{SW} \quad (86)$$

$$P_{QE} \approx 9.3 \text{ W} \quad (87)$$

Recalculate the power budget using Equation 88.

$$P_{BUDGET} = P_{BUDGET} - 2 \times P_{QE} \approx 6.5 \text{ W} \quad (88)$$

8.2.2.9 Input Capacitance (C_{IN})

The input voltage in this design is 390 V_{DC} , which is typically fed by the output of a PFC boost pre-regulator. It is typical to select input capacitance based on holdup and ripple requirements.

Note

The delay time needed to achieve ZVS can act as a duty cycle clamp (D_{CLAMP}).

Calculate tank frequency using Equation 89:

$$f_R = \frac{1}{2\pi\sqrt{L_S \times (2 \times C_{OSS_QA_AVG})}} \quad (89)$$

Estimate the delay time using Equation 90:

$$t_{DELAY} = \frac{2}{f_R \times 4} \approx 314 \text{ ns} \quad (90)$$

The effective duty cycle clamp (D_{CLAMP}) is calculated in Equation 91:

$$D_{CLAMP} = \left(\frac{1}{2 \times f_{SW}} - t_{DELAY} \right) \times 2 \times f_{SW} = 94\% \quad (91)$$

V_{DROP} is the minimum input voltage where the converter can still maintain output regulation (see Equation 92). The converter's input voltage would only drop down this low during a brownout or line-drop condition if this converter was following a PFC pre-regulator.

$$V_{\text{DROP}} = \left(\frac{2 \times D_{\text{CLAMP}} \times V_{\text{RDSON}} + a1 \times (V_{\text{OUT}} + V_{\text{RDSON}})}{D_{\text{CLAMP}}} \right) = 276.2 \text{ V} \quad (92)$$

C_{IN} was calculated in Equation 93 based on one line cycle of holdup:

$$C_{\text{IN}} \geq \frac{2 \times P_{\text{OUT}} \times \frac{1}{60 \text{ Hz}}}{(V_{\text{IN}}^2 - V_{\text{DROP}}^2)} \approx 364 \mu\text{F} \quad (93)$$

Calculate the high-frequency input capacitor RMS current (I_{CINRMS}) using Equation 94.

$$I_{\text{CINRMS}} = \sqrt{I_{\text{PRMS1}}^2 - \left(\frac{P_{\text{OUT}}}{V_{\text{VIN}(\text{min})} \times \eta} \right)} = 1.8 \text{ A} \quad (94)$$

To meet the input capacitance and RMS current requirements for this design, a 330- μF capacitor was chosen from Panasonic part number EETHC2W331EA:

$$C_{\text{IN}} = 330 \mu\text{F}$$

This capacitor has a high frequency (ESR_{CIN}) of 150 m Ω and is measured with an impedance analyzer at 200 kHz. $\text{ESR}_{\text{CIN}} = 0.150 \Omega$

Estimate the C_{IN} power dissipation (P_{CIN}) using Equation 95:

$$P_{\text{CIN}} = I_{\text{CINRMS}}^2 \times \text{ESR}_{\text{CIN}} = 0.5 \text{ W} \quad (95)$$

And recalculate the remaining power budget using Equation 96:

$$P_{\text{BUDGET}} = P_{\text{BUDGET}} - P_{\text{CIN}} \approx 6.0 \text{ W} \quad (96)$$

There is approximately 6.0 W that remains in the power budget for the current-sensing network, to bias the control device, and for all resistors supporting the control device.

8.2.2.10 Current Sense Network (CT, R_{CS} , $R7$, D_A)

The CT chosen for this design has a turns ratio (CT_{RAT}) of 100:1 in Equation 97:

$$\text{CT}_{\text{RAT}} = \frac{I_{\text{P}}}{I_{\text{S}}} = 100 \quad (97)$$

Calculate nominal peak current (I_{P1}) at V_{INMIN} :

The peak primary current is calculated using Equation 98:

$$I_{\text{P1}} = \left(\frac{P_{\text{OUT}}}{V_{\text{OUT}} \times \eta} + \frac{\Delta I_{\text{LOUT}}}{2} \right) \frac{1}{a1} + \frac{V_{\text{INMIN}} \times D_{\text{MAX}}}{L_{\text{MAG}} \times 2 \times F_{\text{SW}}} \approx 3.3 \text{ A} \quad (98)$$

The CS pin voltage where peak current limit will trip is:

$$V_P = 2V \quad (99)$$

Calculate current sense resistor (R_{CS}) and leave 300 mV for slope compensation using [Equation 100](#). Include a 1.1 factor for margin:

$$R_{CS} = \frac{V_P - 0.3V}{\frac{I_{P1}}{CT_{RAT}} \times 1.1} \approx 47\Omega \quad (100)$$

Select a standard resistor for R_{CS} :

$$R_{CS} = 47\Omega \quad (101)$$

Estimate the power loss for R_{CS} using [Equation 102](#):

$$P_{RCS} = \left(\frac{I_{PRMS1}}{CT_{RAT}} \right)^2 \times R_{CS} \approx 0.03W \quad (102)$$

Calculate maximum reverse voltage (V_{DA}) on D_A using [Equation 103](#):

$$V_{DA} = V_P \frac{D_{CLAMP}}{1 - D_{CLAMP}} \approx 29.8V \quad (103)$$

Estimate the D_A power loss (P_{DA}) using [Equation 104](#):

$$P_{DA} = \frac{P_{OUT} \times 0.6V}{V_{INMIN} \times \eta \times CT_{RAT}} \approx 0.01W \quad (104)$$

Calculate reset resistor $R7$:

Resistor $R7$ is used to reset the current sense transformer CT :

$$R7 = 100 \times R_{CS} = 4.7k\Omega \quad (105)$$

Resistor R_{LF1} and capacitor C_{LF} form a low-pass filter for the current sense signal (Pin 15). For this design, chose the following values. This filter has a low frequency pole (f_{LFP}) at 482 kHz, (which is appropriate for most applications) but may be adjusted to suit individual layouts and EMI present in the design.

$$R_{LF1} = 1k\Omega \quad (106)$$

$$C_{LF} = 330pF \quad (107)$$

$$f_{LFP} = \frac{1}{2\pi f \times R_{LF1} \times C_{LF}} = 482kHz \quad (108)$$

The UCC28951-Q1 V_{REF} output (Pin 1) needs a high frequency bypass capacitor to filter out high frequency noise. This pin needs at least 1 μF of high-frequency bypass capacitance (C_{REF}).

$$C_{REF} = 1\mu F \quad (109)$$

The voltage amplifier reference voltage (Pin 2, EA+) can be set with a voltage divider (R1, R2), for this design example, the error amplifier reference voltage (V1) will be set to 2.5 V. Select a standard resistor value for R1 and then calculate resistor value R2.

UCC28951-Q1 reference voltage:

$$V_{REF} = 5V \quad (110)$$

Set voltage amplifier reference voltage:

$$V1 = 2.5V \quad (111)$$

$$R1 = 2.37k\Omega \quad (112)$$

$$R2 = \frac{R1 \times (V_{REF} - V1)}{V1} = 2.37k\Omega \quad (113)$$

The voltage divider formed by resistor R3 and R4 are chosen to set the DC output voltage (V_{OUT}) at Pin 3 (EA-).

Select a standard resistor for R3:

$$R3 = 2.37k\Omega \quad (114)$$

Calculate R4 using [Equation 115](#):

$$R4 = \frac{R3 \times (V_{OUT} - V1)}{V1} \approx 9k\Omega \quad (115)$$

Then choose a standard resistor for R4 using [Equation 116](#):

$$R4 = \frac{R3 \times (V_{OUT} - V1)}{V1} \approx 9.09k\Omega \quad (116)$$

Note

TI recommends using an RCD clamp to protect the output synchronous FETs from overvoltage due to switch node ringing.

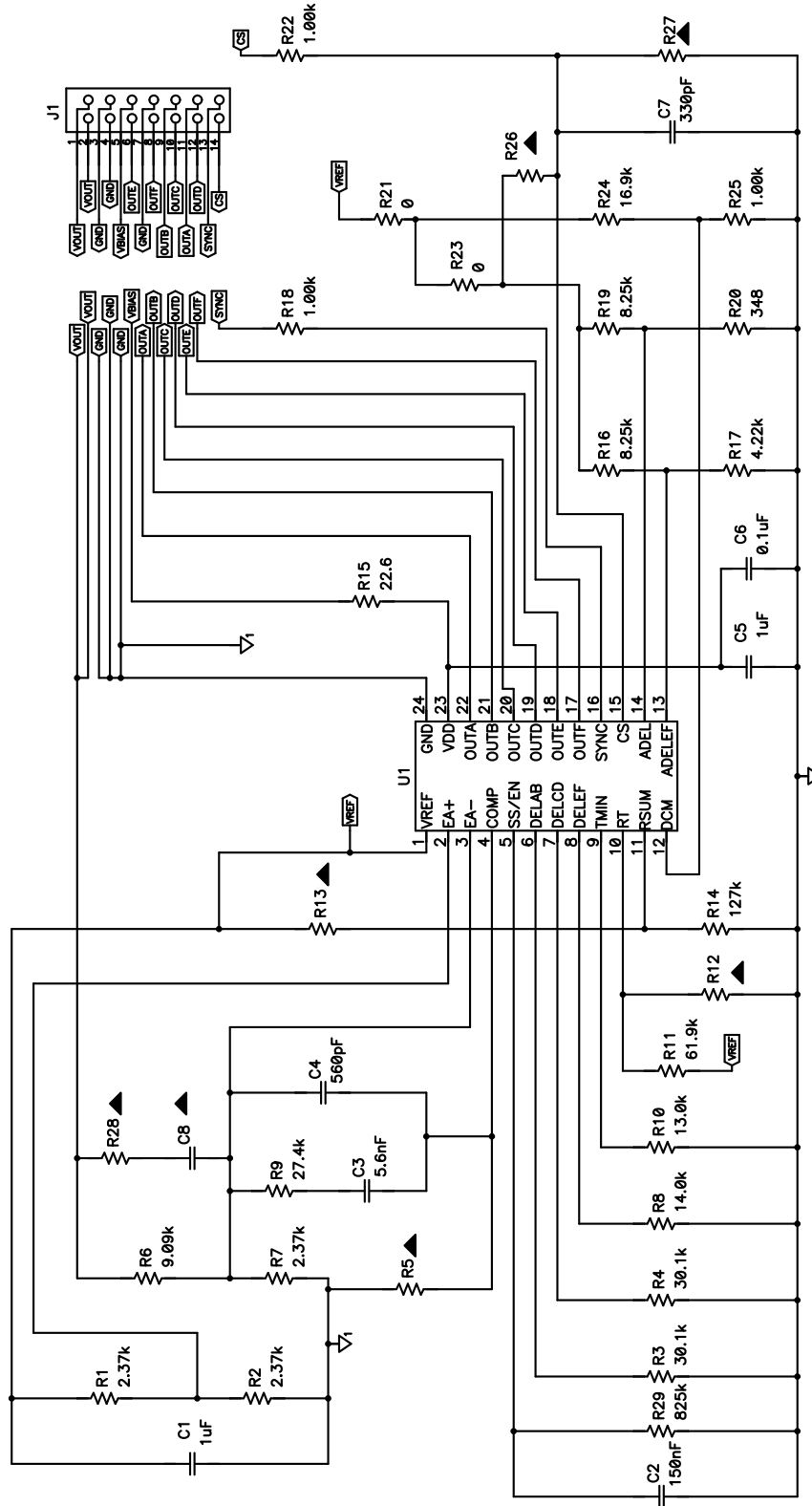


Figure 8-5. Daughter Board Schematic

8.2.2.10.1 Voltage Loop Compensation Recommendation

For best results in the voltage loop, TI recommends using a Type 2 or Type 3 compensation network (Figure 8-6). A Type 2 compensation network does not require passive components C_{Z2} and R_{Z2} . Type 1 compensation

is not versatile enough for a phase-shifted full bridge. When evaluating the COMP pin for best results, TI recommends placing a 1-kΩ resistor between the scope probe and the COMP pin of the UCC28951-Q1.

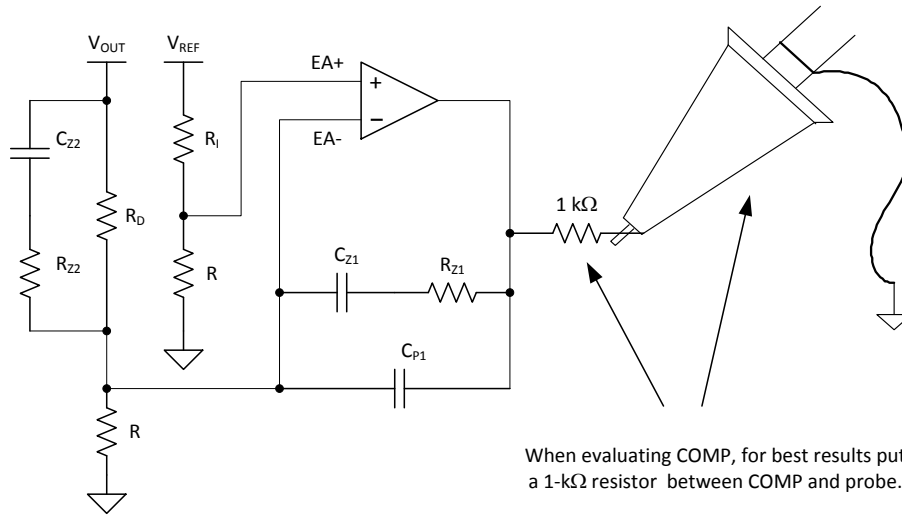


Figure 8-6. Type 3 Compensation Evaluation

Compensating the feedback loop can be accomplished by properly selecting the feedback components (R5, C1 and C2). These components are placed as close as possible to pin 3 and 4 of the controller. A Type 2 compensation network is designed in this example.

Calculate load impedance at 10% load (R_{LOAD}) :

$$R_{LOAD} = \frac{V_{OUT}^2}{P_{OUT} \times 0.1} = 2.4 \Omega \quad (117)$$

Approximate control to output transfer function ($G_{CO}(f)$) as a function of frequency:

$$G_{CO}(f) \approx \frac{\Delta V_{OUT}}{\Delta V_C} = a1 \times CT_{RAT} \times \frac{R_{LOAD}}{R_{CS}} \times \left(\frac{1 + 2\pi j \times f \times ESR_{COUT} \times C_{OUT}}{1 + 2\pi j \times f \times R_{LOAD} \times C_{OUT}} \right) \times \frac{1}{1 + \frac{S(f)}{2\pi \times f_{PP}} + \left(\frac{S(f)}{2\pi \times f_{PP}} \right)^2} \quad (118)$$

Calculate double pole frequency of $G_{CO}(f)$:

$$f_{PP} \approx \frac{F_{SW}}{2} = 50 \text{ kHz} \quad (119)$$

Calculate angular velocity:

$$S(f) = 2\pi \times j \times f \quad (120)$$

Compensate the voltage loop with Type 2 feedback network. The following transfer function is the compensation gain as a function of frequency ($G_C(f)$):

$$G_C(f) = \frac{\Delta V_C}{\Delta V_{OUT}} = \frac{2\pi j \times f \times R5 \times C2 + 1}{2\pi j \times f \times (C2 + C1)R4 \left(\frac{2\pi j \times f \times C2 \times C1 \times R5}{C2 + C1} + 1 \right)} \quad (121)$$

Calculate voltage loop feedback resistor ($R5$) based on the crossing the voltage loop (f_C) over at a 10th of the double pole frequency (f_{PP}):

$$f_C = \frac{f_{PP}}{10} = 5 \text{ kHz} \quad (122)$$

$$R5 = \frac{R4}{G_{CO} \left(\frac{f_{PP}}{10} \right)} \approx 27.9 \text{ k}\Omega \quad (123)$$

The standard resistor selected for $R5$ is 27.4 k Ω .

Calculate the feedback capacitor ($C2$) to give added phase at crossover:

$$C2 = \frac{1}{2 \times \pi \times R5 \times \frac{f_C}{5}} \approx 5.8 \text{ nF} \quad (124)$$

The standard capacitance value ($C2$) selected for the design is 5.6 nF.

Put a pole at two times f_C :

$$C1 = \frac{1}{2 \times \pi \times R5 \times f_C \times 2} \approx 580 \text{ pF} \quad (125)$$

The standard capacitance value ($C1$) selected for the design is 560 pF.

Use [Equation 126](#) to calculate the loop gain as a function of frequency ($T_V(f)$) in dB.

$$T_V \text{ dB}(f) = 20 \log(|G_C(f) \times G_{CO}(f)|) \quad (126)$$

Plot a theoretical loop gain and phase to graphically confirm loop stability. The theoretical loop gain crosses over at roughly 3.7 kHz with a phase margin of greater than 90 degrees.

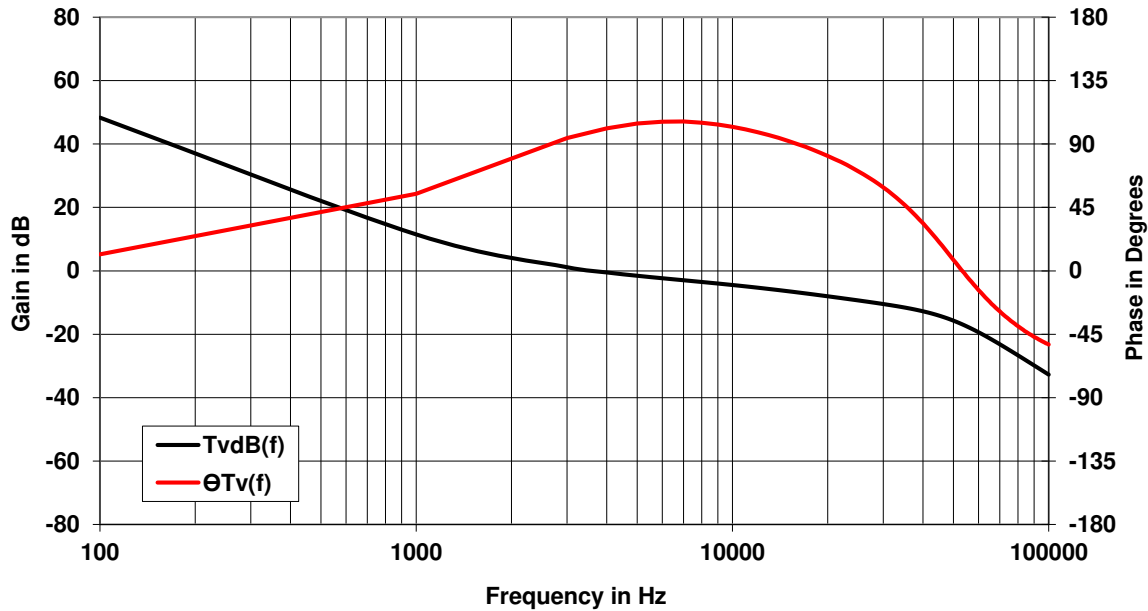


Figure 8-7. Loop Gain and Phase vs Frequency

Note

TI recommends confirming the loop stability of the final design with transient testing and/or a network analyzer. Adjust the compensation ($G_C(f)$) feedback as necessary.

$$L_{MAG} \geq \frac{V_{IN} \times (1 - D_{TYP})}{\frac{\Delta I_{LOUT} \times 0.5}{a1} \times 2 \times F_{SW}} \approx 2.78 \text{mH} \quad (127)$$

where

- loop gain ($T_V \text{dB}(f)$)
- loop phase ($\Phi_{T_V}(f)$)

To limit overshoot during the power up sequence, the UCC28951-Q1 has a soft-start function (SS, Pin 5). In this application the soft-start time is 15 ms (t_{SS}).

$$C_{SS} = \frac{t_{SS} \times 25 \mu\text{A}}{V1 + 0.55} \approx 123 \text{nF} \quad (128)$$

The standard capacitor (C_{SS}) selected for this design is 150 nF.

This application presents a fixed delay approach to achieving ZVS from 100% load down to 50% load. Adaptive delays can be generated by connecting the ADEL and ADELEF pins to the CS pin as shown in [Figure 8-8](#).

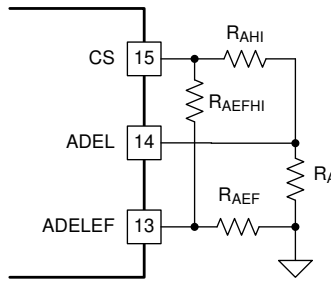


Figure 8-8. Adaptive Delays

When the converter is operating below 50% load, the converter operates in valley switching. To achieve zero voltage switching on switch node of QB_d , the turn-on (t_{ABSET}) delays of FETs QA and QB must be initially set based on the interaction of L_S and the theoretical switch node capacitance. The following equations are used to set t_{ABSET} initially.

Equate shim inductance to two times C_{OSS} capacitance using [Equation 129](#):

$$2\pi \times f_R L_S = \frac{1}{2\pi \times f_R \times (2 \times C_{OSS_QA_AVG})} \quad (129)$$

Calculate tank frequency using [Equation 130](#):

$$f_R = \frac{1}{2\pi \sqrt{L_S \times (2 \times C_{OSS_QA_AVG})}} \quad (130)$$

Set initial t_{ABSET} delay time and adjust as necessary.

Note

The 2.25 factor of the t_{ABSET} equation was derived from empirical test data and may vary based on individual design differences.

$$t_{ABSET} = \frac{2.25}{f_R \times 4} \approx 346 \text{ ns} \quad (131)$$

The resistor divider formed by R_A and R_{AHI} programs the t_{ABSET} , t_{CDSET} delay range of the controller. The standard resistor value R_{AHI} selected is 8.25 k Ω .

t_{ABSET} can be programmed between 30 ns to 1000 ns.

The voltage at the ADEL input of the controller (V_{ADEL}) must be set with R_A based on the following conditions:

- If $t_{ABSET} > 155$ ns, set $V_{ADEL} = 0.2$ V. t_{ABSET} can be programmed between 155 ns and 1000 ns.
- If $t_{ABSET} \leq 155$ ns, set $V_{ADEL} = 1.8$ V. t_{ABSET} can be programmed between 29 ns and 155 ns.

Based on V_{ADEL} selection, calculate R_A :

$$R_A = \frac{R_{AHI} \times V_{ADEL}}{5V - V_{ADEL}} \approx 344 \Omega \quad (132)$$

The closest standard resistor value for R_A selected is 348 Ω .

Recalculate V_{ADEL} based on resistor divider selection:

$$V_{ADEL} = \frac{5V \times R_A}{R_{AHI} + R_A} = 0.202V \quad (133)$$

Resistor R_{AB} programs t_{ABSET} . Variable CS is the voltage at the CS pin with respect to ground and ratio K_A was calculated in [Equation 5](#):

$$R_{AB} = \frac{T_{ABSET}}{5} \times (0.26 + CS \times K_A \times 1.3) \approx 30.6k\Omega \quad (134)$$

The standard resistor value for R_{AB} selected for the design is 30.1 k Ω .

Note

After a prototype operational, fine tune t_{ABSET} during light-load operation to the peak and valley of the resonance between L_S and the switch node capacitance. In this design, the delay was set at 10% load.

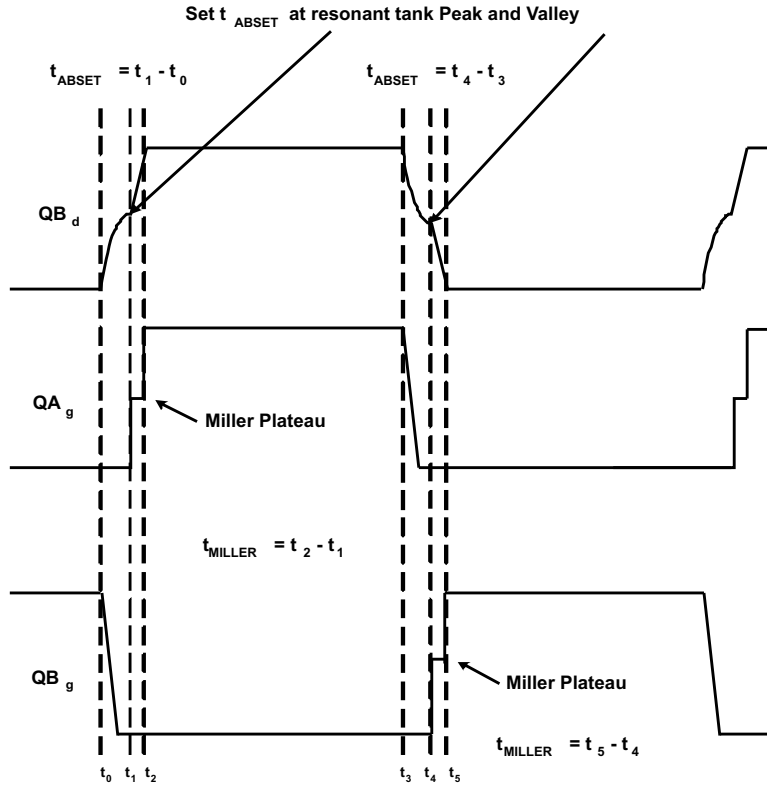


Figure 8-9. t_{ABSET} to Achieve Valley Switching at Light Loads

Initially, set the QC and QD turn-on delays (t_{CDSET}) for the same delay as the QA and QB turn-on delays (Pin 6). The following equations program the QC and QD turn-on delays (t_{CDSET}) by properly selecting resistor R_{DELCD} (Pin 7).

$$t_{ABSET} = t_{CDSET} \tag{135}$$

Resistor R_{CD} programs t_{CDSET} :

$$R_{CD} = \frac{T_{CDSET}}{5} \times (0.26 + CS \times K_A \times 1.3) \approx 30.6k\Omega \tag{136}$$

The standard resistor R_{CD} selected for this design is 30.1 kΩ.

Note

After a prototype operational, fine tune t_{CDSET} during light-load operation. In this design, the CD node was set to valley switch at roughly 10% load.. Obtaining ZVS at lighter loads with switch node QD_d is easier due to the reflected output current present in the primary of the transformer at FET QD and QC during the turnoff or turnon period. This behavior is due to more peak current available to energize L_S before this transition, compared to the QA and QB turnoff and turnon period.

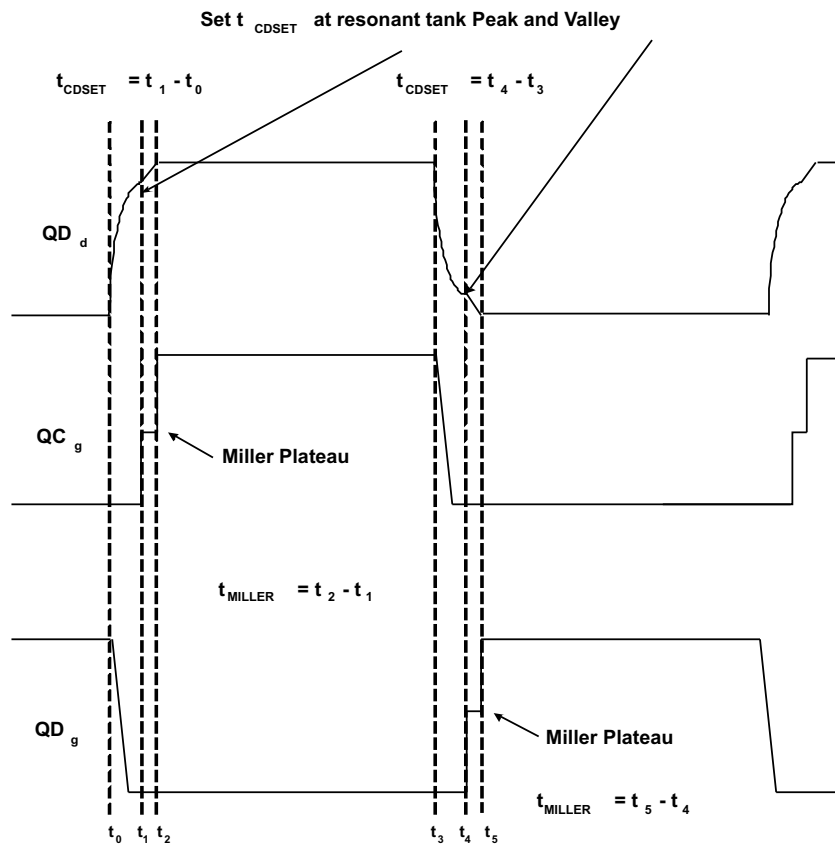


Figure 8-10. t_{CDSET} to Achieve Valley Switching at Light Loads

There is a programmable delay for the turnoff of FET QF after FET QA turnoff (t_{AFSET}) and the turnoff of FET QE after FET QB turnoff (t_{BESET}). Set these delays to 50% of t_{ABSET} to ensure that the appropriate synchronous rectifier turns off before the AB ZVS transition. If this delay is too large, it causes OUTE and OUTF not to overlap correctly and creates excess body diode conduction on FETs QE and QF.

$$t_{AFSET} = t_{BESET} = t_{ABSET} \times 0.5 \quad (137)$$

The resistor divider formed by R_{AEF} and R_{AEFHI} programs the t_{AFSET} and t_{BESET} delay range of the controller. The standard resistor value selected for R_{AEFHI} is 8.25 k Ω .

Note

t_{AFSET} and t_{BESET} can be programmed between 32 ns to 1100 ns.

The voltage at the ADELEF pin of the controller (V_{ADELEF}) needs to be set with R_{AEF} based on the following conditions.

- If $t_{AFSET} < 170$ ns set $V_{ADEL} = 0.2$ V, t_{ABSET} can be programmed between 32 ns and 170 ns.
- If $t_{ABSET} \geq 170$ ns set $V_{ADEL} = 1.7$ V, t_{ABSET} can be programmed between 170 ns and 1100 ns.

Based on V_{ADELEF} selection, calculate R_{AEF} :

$$R_{AEF} = \frac{R_{AEFHI} \times V_{ADELEF}}{5V - V_{ADELEF}} \approx 4.25 \text{ k}\Omega \quad (138)$$

The closest standard resistor value for R_{AEF} is 4.22 k Ω .

Recalculate V_{ADELEF} based on resistor divider selection:

$$V_{ADELEF} = \frac{5V \times R_{AEF}}{R_{AEFHI} + R_{AEF}} = 1.692 \text{ V} \quad (139)$$

The following equation was used to program t_{AFSET} and t_{BESET} by properly selecting resistor R_{EF} .

$$R_{EF} = \frac{(t_{AFSET} \times 0.5 - 4 \text{ ns})}{\text{ns}} \times \frac{(2.65 \text{ V} - V_{ADELEF} \times 1.32) \times 10^3}{5} \times \frac{1}{1 \text{ A}} \approx 14.1 \text{ k}\Omega \quad (140)$$

The standard resistor value selected for R_{EF} is 14 k Ω .

Resistor R_{TMIN} programs the minimum on time (t_{MIN}) that the UCC28951-Q1 (Pin 9) can demand before entering burst mode. If the UCC28951-Q1 controller tries to demand a duty cycle on time of less than t_{MIN} the power supply goes into burst mode operation. For this design set the minimum on-time (t_{MIN}) to 75 ns.

Set the minimum on-time by selecting R_{TMIN} :

$$R_{TMIN} = \frac{t_{MIN}}{5.92} \approx 12.7 \text{ k}\Omega \quad (141)$$

The standard resistor value for R_{TMIN} is 13 k Ω .

A resistor from the RT pin to ground sets the converter switching frequency calculated in [Equation 142](#).

$$R_T = \left(\frac{2.5 \times 10^6 \times \frac{\Omega \text{ Hz}}{V}}{\frac{f_{SW}}{2}} - \frac{\Omega}{V} \right) \times (V_{REF} - 2.5 \text{ V}) = 60 \text{ k}\Omega \quad (142)$$

The standard resistor value selected for R_T is 61.9 k Ω .

The UCC28951-Q1 provides slope compensation. The amount of slope compensation is set by the resistor R_{SUM} . As suggested earlier, set the slope compensation ramp to be half the inductor current ramp downslope (inductor current ramp during the off time), reflected through the main transformer and current sensing networks as explained earlier in [Section 7.3.11](#).

Calculate required slope compensation ramp:

$$m_e = 0.5 \times \frac{V_{OUT} \times R_{CS}}{L_{OUT} \times a1 \times CT_{RAT}} = 0.5 \times \frac{12 \times 47}{2 \times 10^{-6} \times 21 \times 100} = 67 \frac{mV}{\mu s} \quad (143)$$

The magnetizing current of the power transformer provides part of the slope compensation ramp. The slope of this current is calculated using [Equation 144](#) where V_{INHU} is the minimum voltage for V_{OUT} holdup purposes. It is the voltage at which the converter is operating at the maximum duty cycle (D_{MAX}) while maintaining V_{OUT} :

$$m_{MAG} = \frac{V_{INHU} \times R_{CS}}{L_{MAG} \times CT_{RAT}} = \frac{260 \times 47}{2.76 \times 10^{-3} \times 100} \approx 44 \frac{mV}{\mu s} \quad (144)$$

Calculate the required compensating ramp:

$$m_{SUM} = m_e - m_{MAG} = (67 - 44) \frac{mV}{\mu s} = 23 \frac{mV}{\mu s} \quad (145)$$

The value for the resistor, R_{SUM} , may be found from the graph in [Figure 7-10](#), calculated from rearranged versions of [Equation 13](#), or calculated by [Equation 13](#), depending on whether the controller is operating in current mode or voltage control mode. This design uses current mode control and [Equation 146](#) is rearranged and evaluated:

$$R_{SUM} = \frac{2.5}{0.5 \times m_{SUM}} = \frac{2.5}{0.5 \times 23 \times 10^{-3}} \approx 200 k\Omega \quad (146)$$

Confirm that the 300 mV allowed for the slope compensation ramp is sufficient when choosing R_{CS} in [Equation 100](#).

$$\Delta V_{SLOPE-COMP} = \frac{m_{SUM} \times D_{MAX}}{2 \times F_{SW}} = \frac{23 \frac{mV}{\mu s} \times 0.7}{2 \times 100 kHz} = 80 mV \quad (147)$$

To increase efficiency at lighter loads the UCC28951-Q1 is programmed (Pin 12, DCM) under light-load conditions to disable the synchronous FETs on the secondary side of the converter (Q_E and Q_F). This threshold is programmed with resistor divider formed by R_{DCMHI} and R_{DCM} . This DCM threshold needs to be set at a level before the inductor current goes discontinuous. [Equation 148](#) sets the level at which the synchronous rectifiers are disabled at roughly 15% load current.

$$V_{RCS} = \frac{\left(\frac{P_{OUT} \times 0.15}{V_{OUT}} + \frac{\Delta I_{LOUT}}{2} \right) \times R_{CS}}{a1 \times CT_{RAT}} = 0.29 V \quad (148)$$

UCC28951-Q1SLUSCK4B – SEPTEMBER 2016 – REVISED DECEMBER 2021

The standard resistor value selected for R_{DCM} is 1 k Ω .

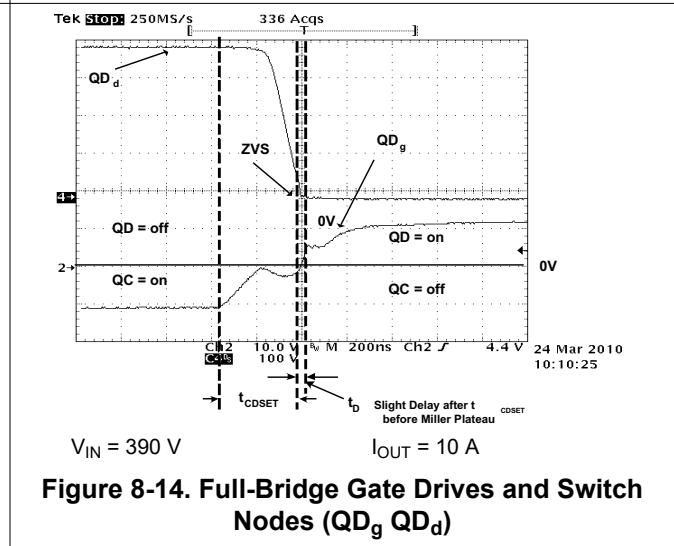
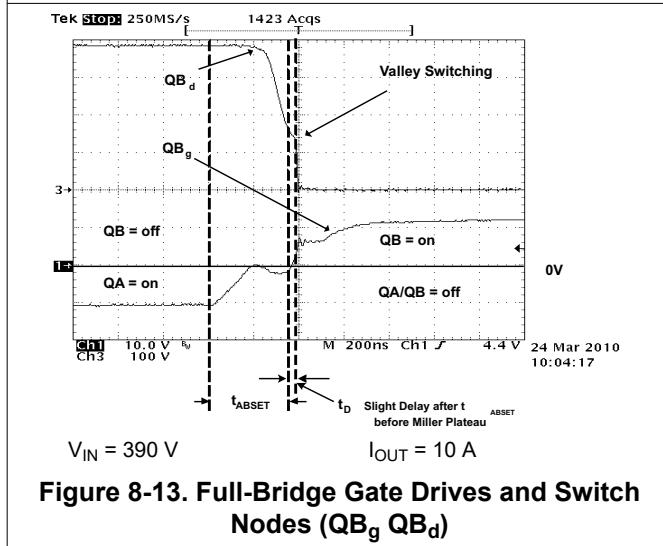
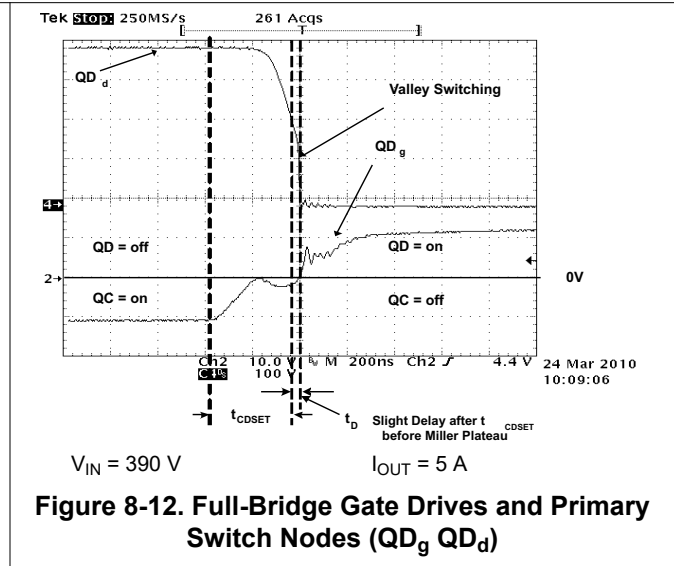
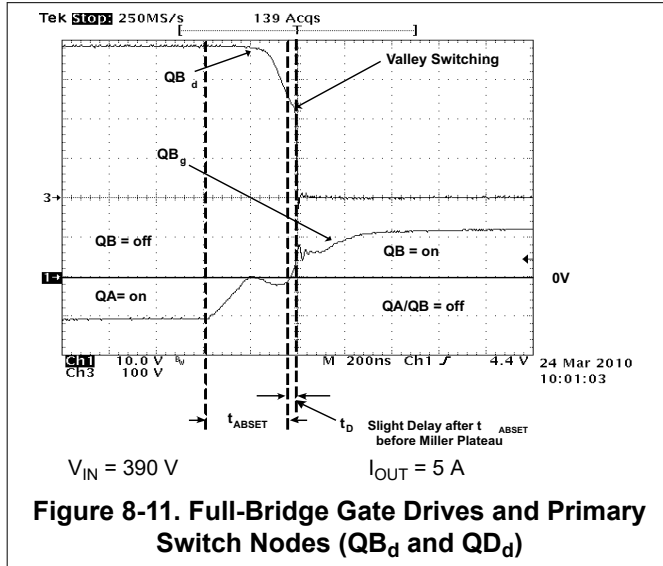
Calculate resistor value R_{DCMHI} .

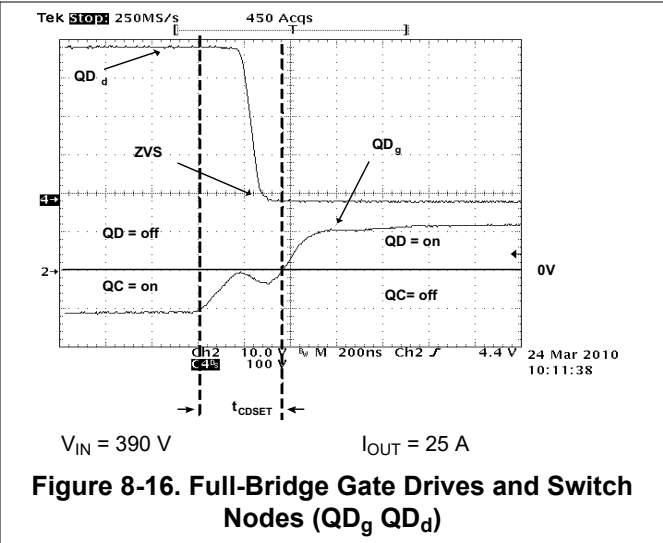
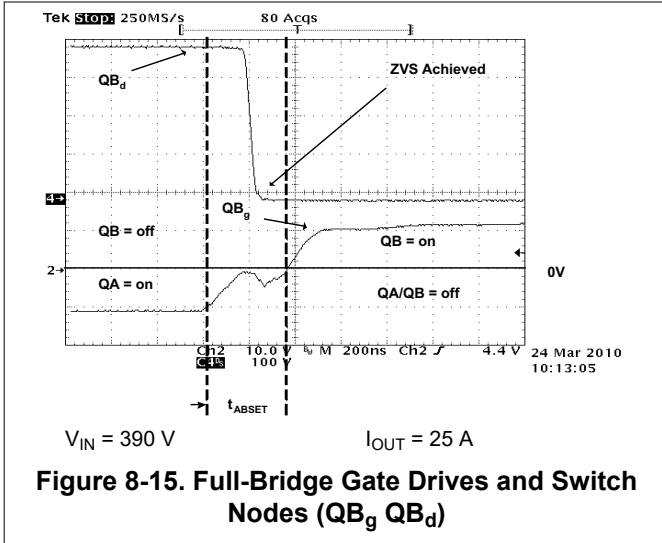
$$R_{DCMHI} = \frac{R_{DCM} (V_{REF} - V_{RCS})}{V_{RCS}} \approx 16.3 \text{ k}\Omega \quad (149)$$

The standard resistor value for R_{DCMHI} is 16.9 k Ω .

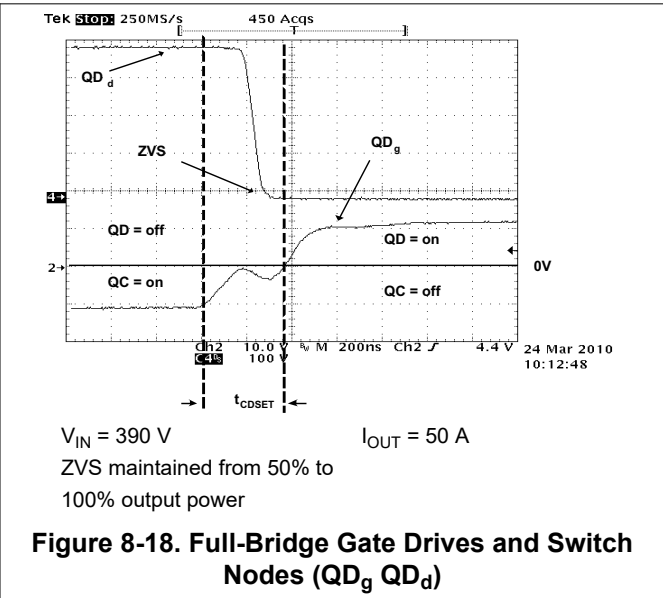
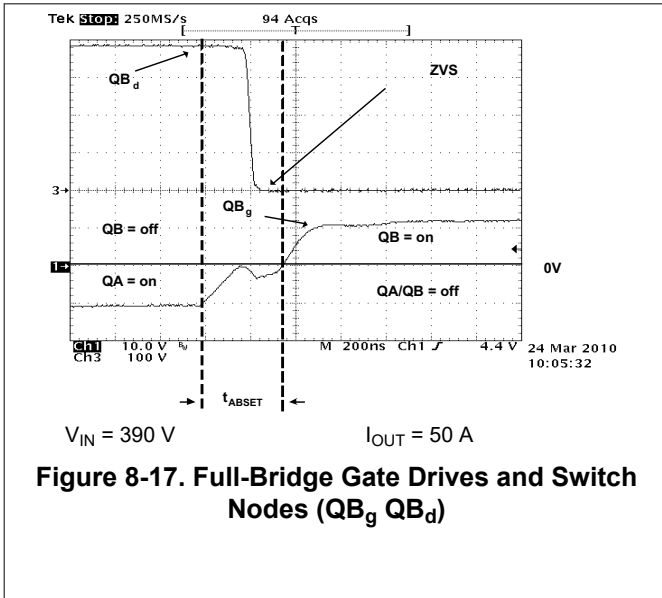
8.2.3 Application Curves

Switch node QBd is valley switching and node QDd has achieved ZVS. Please refer to [Figure 8-13](#) and [Figure 8-14](#). It is not uncommon for switch node QDd to obtain ZVS before QBd. This is because during the QDd switch node voltage transition, the reflected output current provides immediate energy for the LC tank at the switch node. Where at the QBd switch node transition the primary has been shorted out by the high-side or low-side FETs in the H bridge. This transition is dependent on the energy stored in LS and LLK to provide energy for the LC tank at switch node QBd making it take longer to achieve ZVS.





When the converter is running at 25 A, both switch nodes are operating into zero voltage switching (ZVS). It is also worth mentioning that there is no evidence of the gate miller plateau during gate driver switching. This is because the voltage across the drains and sources of FETs QA through QD transitioned earlier.



9 Power Supply Recommendations

Operate the UCC28951-Q1 controller from a V_{DD} rail within the limits given in the [Section 6.3](#) section of this data sheet. To avoid the possibility that the controller might stop switching, do not allow the V_{DD} to fall into the UVLO_FTH range. To minimize power dissipation in the controller, ensure that V_{DD} is not unnecessarily high. Maintaining V_{DD} at 12 V is a good compromise between these competing constraints. The gate drive outputs from the controller deliver large-current pulses into their loads. This indicates the need for a low-ESR decoupling capacitor to be connected as directly as possible between the V_{DD} and GND terminals.

TI recommends ceramic capacitors with stable dielectric characteristics over temperature, such as X7R. Avoid capacitors which have a large drop in capacitance with applied DC voltage bias. For example, use a component that has a low-voltage co-efficient of capacitance. The recommended decoupling capacitance is 1 μF , X7R, with at least a 25-V rating with a 0.1- μF NPO capacitor in parallel.

10 Layout

10.1 Layout Guidelines

To increase the reliability and robustness of the design, TI recommends the following layout guidelines:

- For the VREF pin: decouple this pin to GND with a good quality ceramic capacitor. A 1- μ F, X7R, 25-V capacitor is recommended. Keep VREF PCB tracks as far away as possible from sources of switching noise.
- For the EA+ pin: this is the noninverting input to the error amplifier. It is a high impedance pin and is susceptible to noise pickup. Keep tracks from this pin as short as possible.
- For the EA– pin: this is the inverting input to the error amplifier. It is a high impedance pin and is susceptible to noise pickup. Keep tracks from this pin as short as possible.
- For the COMP pin: the error amplifier compensation network is normally connected to this pin. Keep tracks from this pin as short as possible.
- For the SS/EN pin: keep tracks from this pin as short as possible. If the Enable signal is coming from a remote source then avoid running it close to any source of high dv/dt (MOSFET Drain connections for example) and add a simple RC filter at the SS/EN pin.
- For the DELAB, DELCD, DELEF, TMIN, RT, R_{SUM}, DCM, ADELEF and ADEL pins: the components connected to these pins are used to set important operating parameters. Keep these components close to the IC and provide short, low impedance return connections to the GND pin.
- For the CS pin: this connection is arguably the most important single connection in the entire PSU system. Avoid running the CS signal traces near to sources of high dv/dt. Provide a simple RC filter as close to the pin as possible to help filter out leading edge noise spikes which occur at the beginning of each switching cycle.
- For the SYNC pin: this pin is essentially a digital I/O port. If it is unused, then it may be left open circuit or tied to ground through a 1-k Ω resistor. If Synchronisation is used, then route the incoming Synchronisation signal as far away from noise sensitive input pins as possible.
- For the OUTA, OUTB, OUTC, OUTD, OUTE and OUTF pins: these are the gate drive output pins. They have a high dv/dt rate associated with their rising and falling edges. Keep the tracks from these pins as far away from noise sensitive input pins as possible. Ensure that the return currents from these outputs do not cause voltage changes in the analog ground connections to noise sensitive input pins. Follow the layout recommendation for analog and power ground planes in [Figure 7-18](#).
- For the VDD pin: this pin must be decoupled to GND using ceramic capacitors as detailed in the [Section 9](#) section. Keep this capacitor as close to the VDD and GND pins as possible.
- For the GND pin: this pin provides the ground reference to the controller. Use a ground plane to minimize the impedance of the ground connection and to reduce noise pickup.

10.2 Layout Example

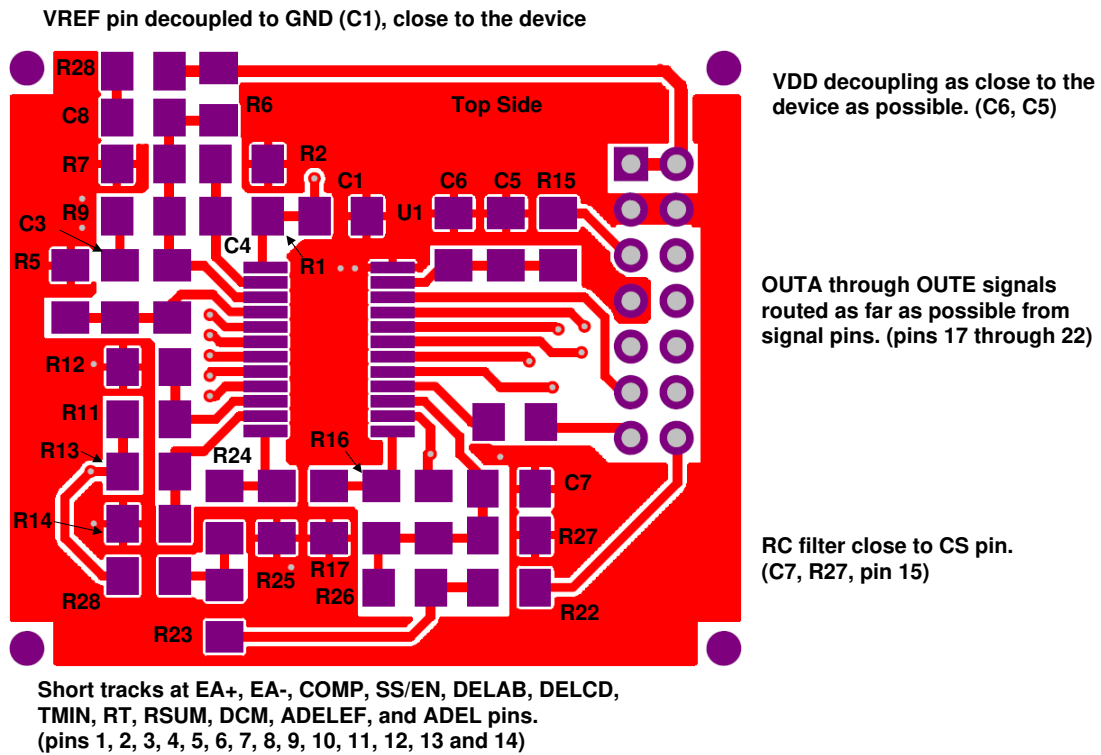


Figure 10-1. Layout Example (Top Side)

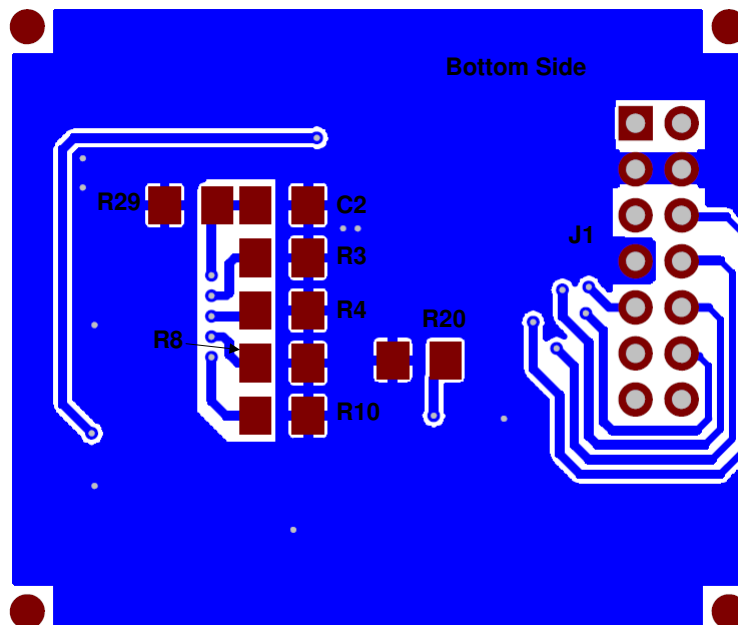


Figure 10-2. Layout Example (Bottom Side)

11 Device and Documentation Support

11.1 Device Support

11.1.1 Development Support

[UCC28950 MathCAD Design Tool.](#)

[UCC28950 Excel Design Tool.](#)

11.2 Documentation Support

11.2.1 Related Documentation

For related documentation see the following:

- [Synchronizing Three or More UCC28950 Phase-Shifted, Full-Bridge Controllers](#) (SLUA609)
- [Making the Correct Choice: UCC28950-Q1 or UCC28951-Q1](#) (SLUA853)
- [Gate Drive Outputs on the UCC28950 and UCC28951-Q1 During Burst Mode Operation](#) (SLAU787)

11.3 Receiving Notification of Documentation Updates

To receive notification of documentation updates, navigate to the device product folder on ti.com. In the upper right corner, click on *Alert me* to register and receive a weekly digest of any product information that has changed. For change details, review the revision history included in any revised document.

11.4 Community Resources

11.5 Trademarks

Vitec™ is a trademark of Vitec Electronics Corporation.

United Chemi-Con™ is a trademark of United Chemi-Con, Inc..

All trademarks are the property of their respective owners.

Mechanical, Packaging, and Orderable Information

The following pages include mechanical, packaging, and orderable information. This information is the most current data available for the designated devices. This data is subject to change without notice and revision of this document. For browser-based versions of this data sheet, refer to the left-hand navigation.

PACKAGING INFORMATION

Orderable Device	Status (1)	Package Type	Package Drawing	Pins	Package Qty	Eco Plan (2)	Lead finish/ Ball material (6)	MSL Peak Temp (3)	Op Temp (°C)	Device Marking (4/5)	Samples
UCC28951QPWRQ1	ACTIVE	TSSOP	PW	24	2000	RoHS & Green	NIPDAU	Level-2-260C-1 YEAR	-40 to 125	UCC28951Q	Samples

(1) The marketing status values are defined as follows:

ACTIVE: Product device recommended for new designs.

LIFEBUY: TI has announced that the device will be discontinued, and a lifetime-buy period is in effect.

NRND: Not recommended for new designs. Device is in production to support existing customers, but TI does not recommend using this part in a new design.

PREVIEW: Device has been announced but is not in production. Samples may or may not be available.

OBSOLETE: TI has discontinued the production of the device.

(2) **RoHS:** TI defines "RoHS" to mean semiconductor products that are compliant with the current EU RoHS requirements for all 10 RoHS substances, including the requirement that RoHS substance do not exceed 0.1% by weight in homogeneous materials. Where designed to be soldered at high temperatures, "RoHS" products are suitable for use in specified lead-free processes. TI may reference these types of products as "Pb-Free".

RoHS Exempt: TI defines "RoHS Exempt" to mean products that contain lead but are compliant with EU RoHS pursuant to a specific EU RoHS exemption.

Green: TI defines "Green" to mean the content of Chlorine (Cl) and Bromine (Br) based flame retardants meet JS709B low halogen requirements of <=1000ppm threshold. Antimony trioxide based flame retardants must also meet the <=1000ppm threshold requirement.

(3) MSL, Peak Temp. - The Moisture Sensitivity Level rating according to the JEDEC industry standard classifications, and peak solder temperature.

(4) There may be additional marking, which relates to the logo, the lot trace code information, or the environmental category on the device.

(5) Multiple Device Markings will be inside parentheses. Only one Device Marking contained in parentheses and separated by a "-" will appear on a device. If a line is indented then it is a continuation of the previous line and the two combined represent the entire Device Marking for that device.

(6) Lead finish/Ball material - Orderable Devices may have multiple material finish options. Finish options are separated by a vertical ruled line. Lead finish/Ball material values may wrap to two lines if the finish value exceeds the maximum column width.

Important Information and Disclaimer:The information provided on this page represents TI's knowledge and belief as of the date that it is provided. TI bases its knowledge and belief on information provided by third parties, and makes no representation or warranty as to the accuracy of such information. Efforts are underway to better integrate information from third parties. TI has taken and continues to take reasonable steps to provide representative and accurate information but may not have conducted destructive testing or chemical analysis on incoming materials and chemicals. TI and TI suppliers consider certain information to be proprietary, and thus CAS numbers and other limited information may not be available for release.

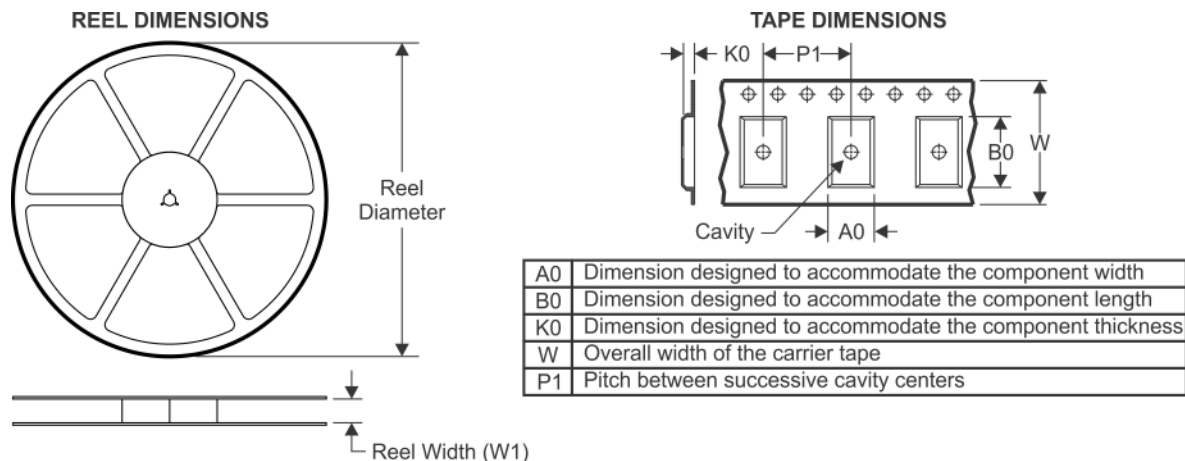
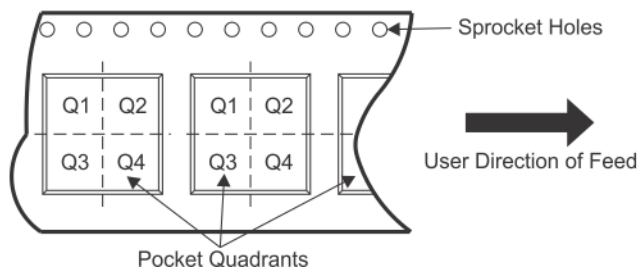
In no event shall TI's liability arising out of such information exceed the total purchase price of the TI part(s) at issue in this document sold by TI to Customer on an annual basis.

OTHER QUALIFIED VERSIONS OF UCC28951-Q1 :

- Catalog : [UCC28951](#)

NOTE: Qualified Version Definitions:

- Catalog - TI's standard catalog product

TAPE AND REEL INFORMATION

QUADRANT ASSIGNMENTS FOR PIN 1 ORIENTATION IN TAPE


*All dimensions are nominal

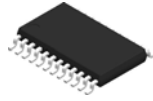
Device	Package Type	Package Drawing	Pins	SPQ	Reel Diameter (mm)	Reel Width W1 (mm)	A0 (mm)	B0 (mm)	K0 (mm)	P1 (mm)	W (mm)	Pin1 Quadrant
UCC28951QPWRQ1	TSSOP	PW	24	2000	330.0	16.4	6.95	8.3	1.6	8.0	16.0	Q1

TAPE AND REEL BOX DIMENSIONS


*All dimensions are nominal

Device	Package Type	Package Drawing	Pins	SPQ	Length (mm)	Width (mm)	Height (mm)
UCC28951QPWRQ1	TSSOP	PW	24	2000	350.0	350.0	43.0

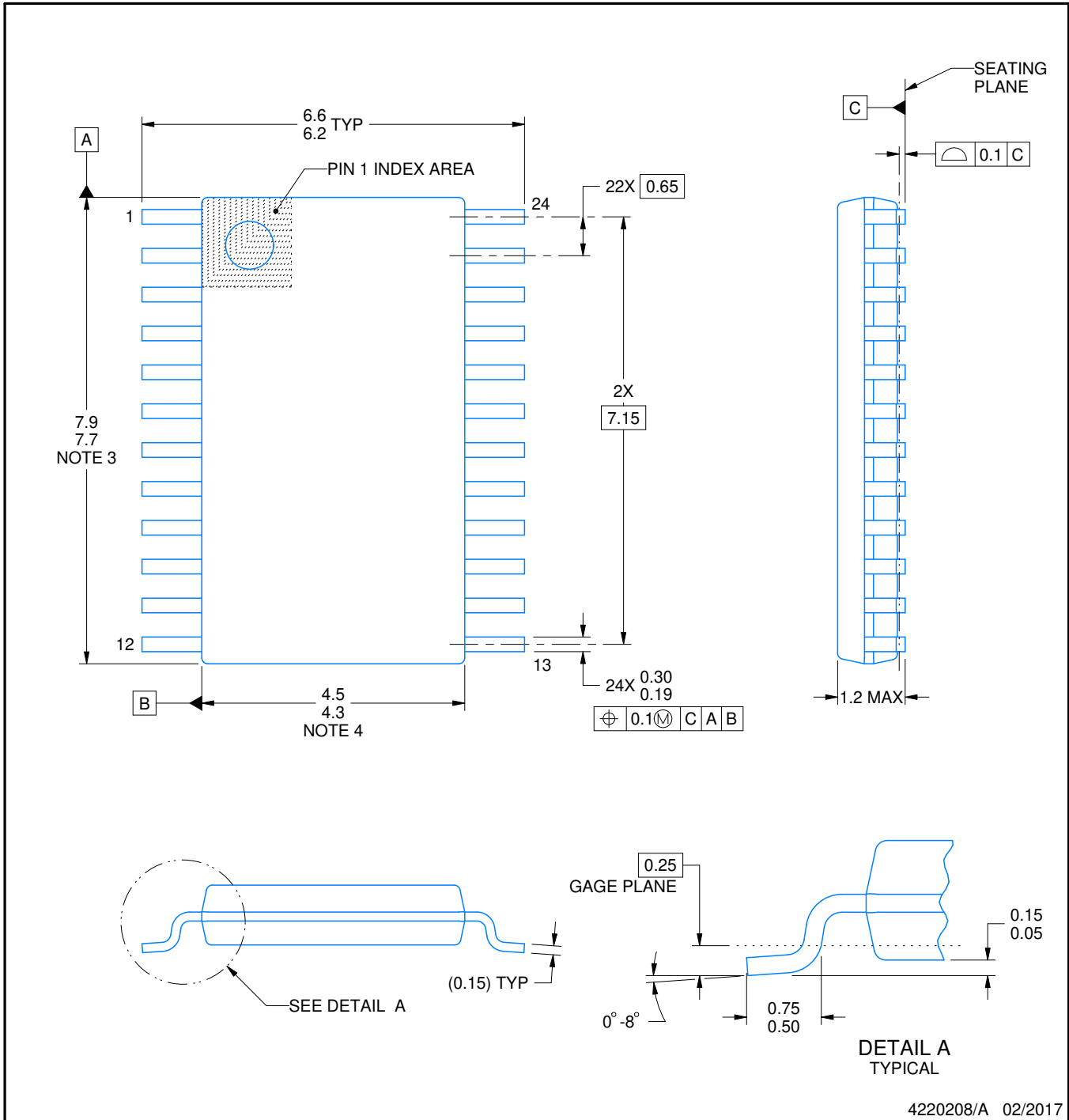
PW0024A



PACKAGE OUTLINE

TSSOP - 1.2 mm max height

SMALL OUTLINE PACKAGE



NOTES:

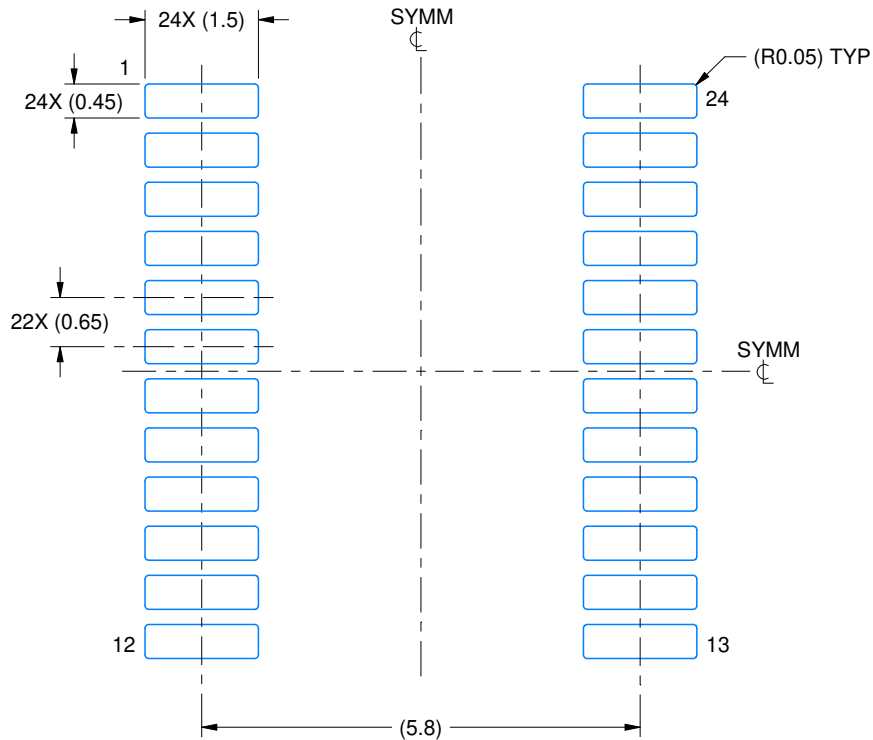
1. All linear dimensions are in millimeters. Any dimensions in parenthesis are for reference only. Dimensioning and tolerancing per ASME Y14.5M.
2. This drawing is subject to change without notice.
3. This dimension does not include mold flash, protrusions, or gate burrs. Mold flash, protrusions, or gate burrs shall not exceed 0.15 mm per side.
4. This dimension does not include interlead flash. Interlead flash shall not exceed 0.25 mm per side.
5. Reference JEDEC registration MO-153.

EXAMPLE BOARD LAYOUT

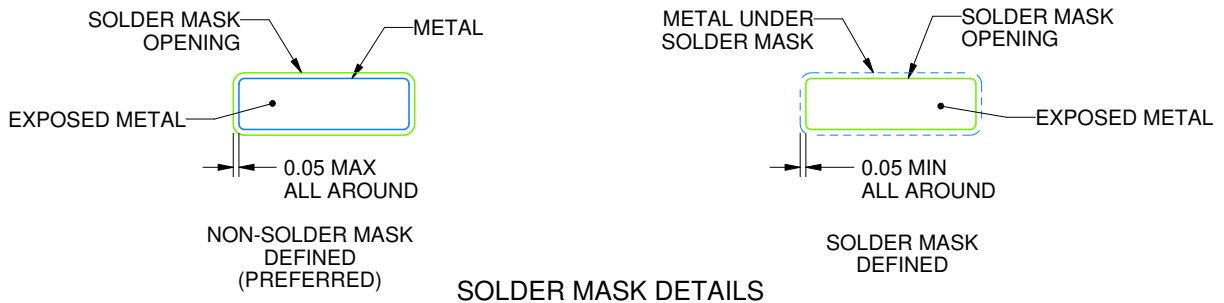
PW0024A

TSSOP - 1.2 mm max height

SMALL OUTLINE PACKAGE



LAND PATTERN EXAMPLE
EXPOSED METAL SHOWN
SCALE: 10X



SOLDER MASK DETAILS

4220208/A 02/2017

NOTES: (continued)

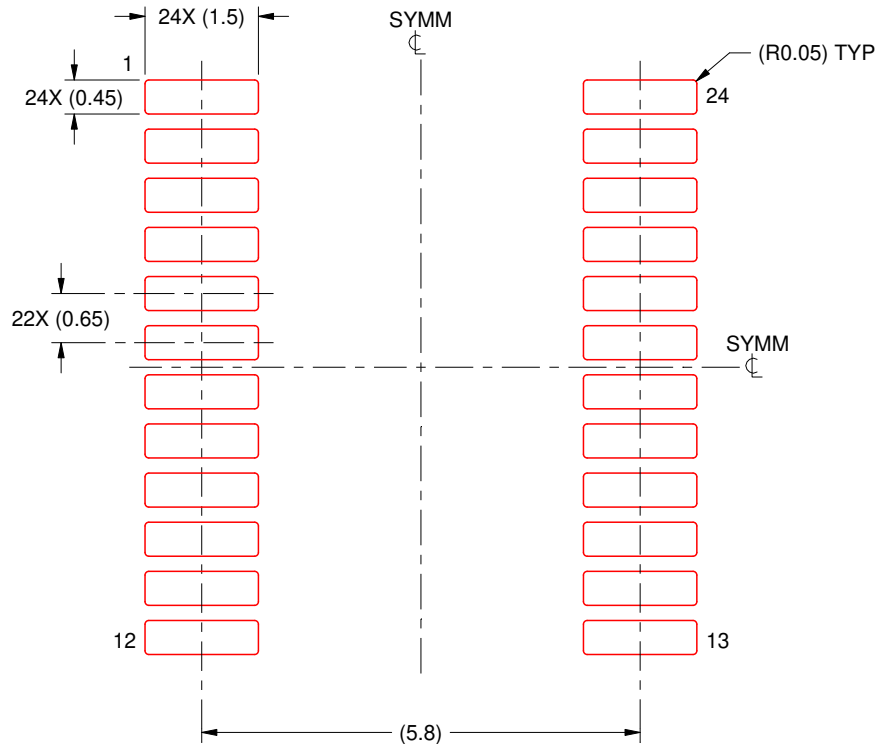
- 6. Publication IPC-7351 may have alternate designs.
- 7. Solder mask tolerances between and around signal pads can vary based on board fabrication site.

EXAMPLE STENCIL DESIGN

PW0024A

TSSOP - 1.2 mm max height

SMALL OUTLINE PACKAGE



SOLDER PASTE EXAMPLE
BASED ON 0.125 mm THICK STENCIL
SCALE: 10X

4220208/A 02/2017

NOTES: (continued)

8. Laser cutting apertures with trapezoidal walls and rounded corners may offer better paste release. IPC-7525 may have alternate design recommendations.
9. Board assembly site may have different recommendations for stencil design.

IMPORTANT NOTICE AND DISCLAIMER

TI PROVIDES TECHNICAL AND RELIABILITY DATA (INCLUDING DATA SHEETS), DESIGN RESOURCES (INCLUDING REFERENCE DESIGNS), APPLICATION OR OTHER DESIGN ADVICE, WEB TOOLS, SAFETY INFORMATION, AND OTHER RESOURCES "AS IS" AND WITH ALL FAULTS, AND DISCLAIMS ALL WARRANTIES, EXPRESS AND IMPLIED, INCLUDING WITHOUT LIMITATION ANY IMPLIED WARRANTIES OF MERCHANTABILITY, FITNESS FOR A PARTICULAR PURPOSE OR NON-INFRINGEMENT OF THIRD PARTY INTELLECTUAL PROPERTY RIGHTS.

These resources are intended for skilled developers designing with TI products. You are solely responsible for (1) selecting the appropriate TI products for your application, (2) designing, validating and testing your application, and (3) ensuring your application meets applicable standards, and any other safety, security, regulatory or other requirements.

These resources are subject to change without notice. TI grants you permission to use these resources only for development of an application that uses the TI products described in the resource. Other reproduction and display of these resources is prohibited. No license is granted to any other TI intellectual property right or to any third party intellectual property right. TI disclaims responsibility for, and you will fully indemnify TI and its representatives against, any claims, damages, costs, losses, and liabilities arising out of your use of these resources.

TI's products are provided subject to [TI's Terms of Sale](#) or other applicable terms available either on ti.com or provided in conjunction with such TI products. TI's provision of these resources does not expand or otherwise alter TI's applicable warranties or warranty disclaimers for TI products.

TI objects to and rejects any additional or different terms you may have proposed.

Mailing Address: Texas Instruments, Post Office Box 655303, Dallas, Texas 75265
Copyright © 2021, Texas Instruments Incorporated