

P3P8203A

General Purpose Peak EMI Reduction Device

Functional Description

P3P8203A is a versatile, 3.3 V LVC MOS Peak EMI reduction device.

P3P8203A accepts an input clock either from a Fundamental Crystal or from an external reference and locks on to it delivering a 1x modulated clock.

P3P8203A has an SSEXTR pin to select different deviations depending upon the value of an external resistor connected between SSEXTR and GND.

P3P8203A operates with 3.3 V ± 0.3 V supply and is available in an 8 Pin, WDFN (2 mm X 2 mm) Package, over a temperature range of 0°C to +70°C.

Features

- 1x, LVC MOS Peak EMI Reduction
- Supports non-continuous input clock applications
- Input / output frequency range: 18 MHz – 36 MHz
- Analog Deviation Selection
- Supply Voltage: 3.3 V ± 0.3 V
- 8 pin, WDFN (2 mm X 2 mm) package
- Operating Temperature range: 0°C to +70°C
- These Devices are Pb-Free, Halogen Free/BFR Free and are RoHS Compliant

Application

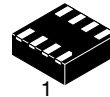
- P3P8203A is targeted for use in a broad range of note book and desktop PCs and consumer electronic applications.



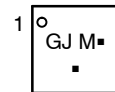
ON Semiconductor®

<http://onsemi.com>

MARKING DIAGRAM



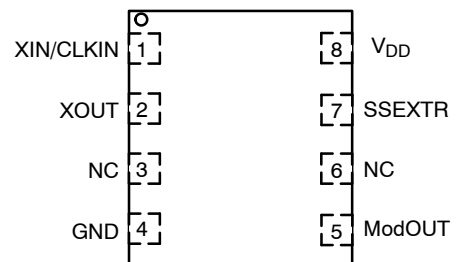
**WDFN8
CASE 511AQ**



GJ = Specific Device Code
M = Date Code
▪ = Pb-Free Device

(*Note: Microdot may be in either location)

PIN CONFIGURATION



ORDERING INFORMATION

See detailed ordering and shipping information in the package dimensions section on page 5 of this data sheet.

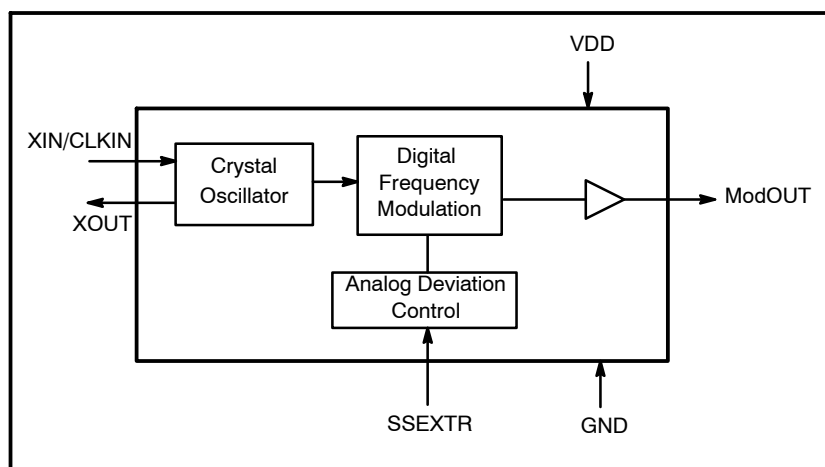


Figure 1. Block Diagram

P3P8203A

Table 1. PIN DESCRIPTION

Pin #	Pin Name	Type	Description
1	XIN/CLKIN	Input	Crystal connection or External reference clock input.
2	XOUT	Output	Crystal connection. If using an external reference, this pin should be left open.
3	NC		No connection
4	GND	Power	Ground
5	ModOUT	Output	Buffered Modulated Clock output.
6	NC		No connection
7	SSEXTR	Input	Analog Deviation Selection through external resistor to GND.
8	VDD	Power	Supply Voltage

Table 2. OPERATING CONDITIONS

Symbol	Description	Min	Max	Unit
V _{DD}	Supply Voltage	3.0	3.6	V
T _A	Operating Temperature (Ambient Temperature)	0	70	°C
C _L	Load Capacitance		15	pF
C _{IN}	Input Capacitance		7	pF

Table 3. ABSOLUTE MAXIMUM RATING

Symbol	Description	Rating	Unit
V _{DD} , V _{IN}	Voltage on any input pin with respect to Ground	-0.5 to +4.6	V
T _{STG}	Storage temperature	-65 to +125	°C
T _s	Max. Soldering Temperature (10 sec)	260	°C
T _J	Junction Temperature	150	°C
T _{DV}	Static Discharge Voltage (As per JEDEC STD22-A114-B)	2	KV

Stresses exceeding Maximum Ratings may damage the device. Maximum Ratings are stress ratings only. Functional operation above the Recommended Operating Conditions is not implied. Extended exposure to stresses above the Recommended Operating Conditions may affect device reliability.

Table 4. ELECTRICAL CHARACTERISTICS

Symbol	Parameter	Test Conditions	Min	Typ	Max	Unit
V _{DD}	Supply Voltage		3.0	3.3	3.6	V
V _{IL}	Input LOW Voltage				0.35 * V _{DD}	V
V _{IH}	Input HIGH Voltage		0.65 * V _{DD}			V
V _{OL}	Output LOW Voltage	I _{OL} = 8 mA			0.25 * V _{DD}	V
V _{OH}	Output HIGH Voltage	I _{OH} = -8 mA	0.75 * V _{DD}			V
I _{CC}	Static Supply Current	CLKIN pulled LOW			1	mA
I _{DD}	Dynamic Supply Current	Unloaded output	18 MHz		5	mA
			24 MHz		6	
			36 MHz		8	
C _L	Load Capacitance				15	pF
Z ₀	Output Impedance			24		Ω

P3P8203A

Table 5. SWITCHING CHARACTERISTICS

Parameter	Test Conditions	Min	Typ	Max	Unit
Input Clock Frequency		18		36	MHz
ModOUT		18		36	
Output Rise Time (Notes 1 and 2)	Measured between 20% to 80%		1.0	1.6	nS
Output fall Time (Notes 1 and 2)	Measured between 80% to 20%		1.0	1.6	nS
Output Duty Cycle (Notes 1 and 2)	Measured at 50% (with Input Duty Cycle of 50%)	45	50	55	%
Cycle-to-Cycle Jitter (Note 2)	Unloaded output with SSEXTR pin OPEN		±100		pS
Part-Part Frequency Deviation Variation			±20		%

1. All parameters are measured with 15pF load on ModOUT.
2. Parameter is guaranteed by design and characterization. Not tested in production.

P3P8203A

SWITCHING WAVEFORMS

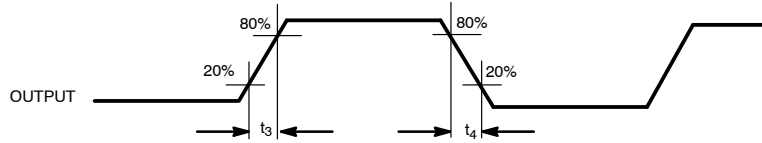


Figure 2. Output Rise/Fall Time

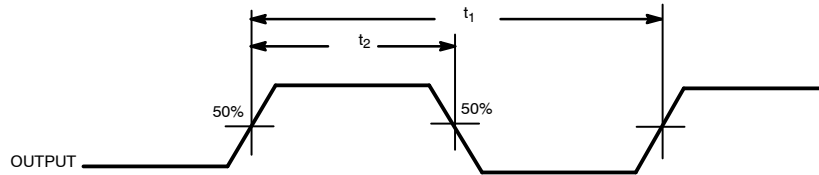


Figure 3. Duty Cycle Timing

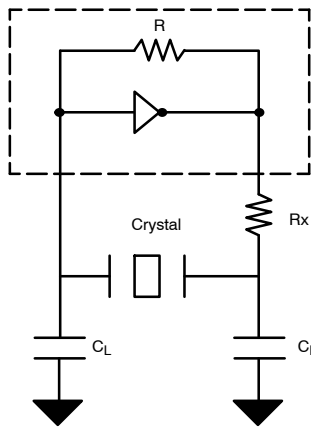


Figure 4. Typical Crystal Interface Circuit

$$C_L = 2*(C_P - C_S),$$

Where C_P = Load capacitance of crystal specified in a Crystal Datasheet

C_S = Stray capacitance due to CIN, PCB, Trace etc

C_L = Load capacitance to be used

R_x is used to reduce power dissipation in the Crystal

P3P8203A

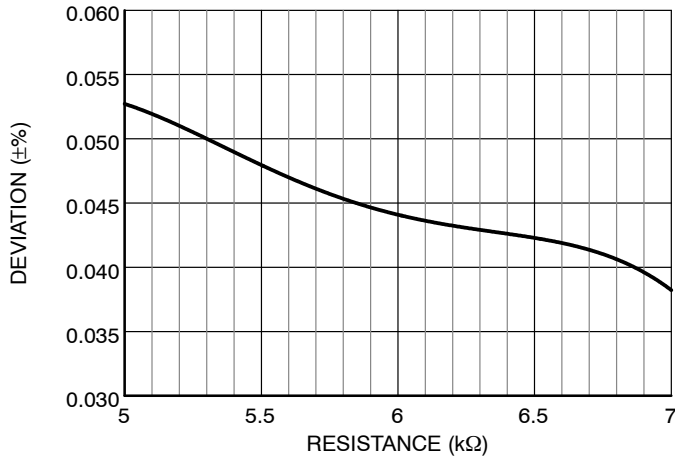
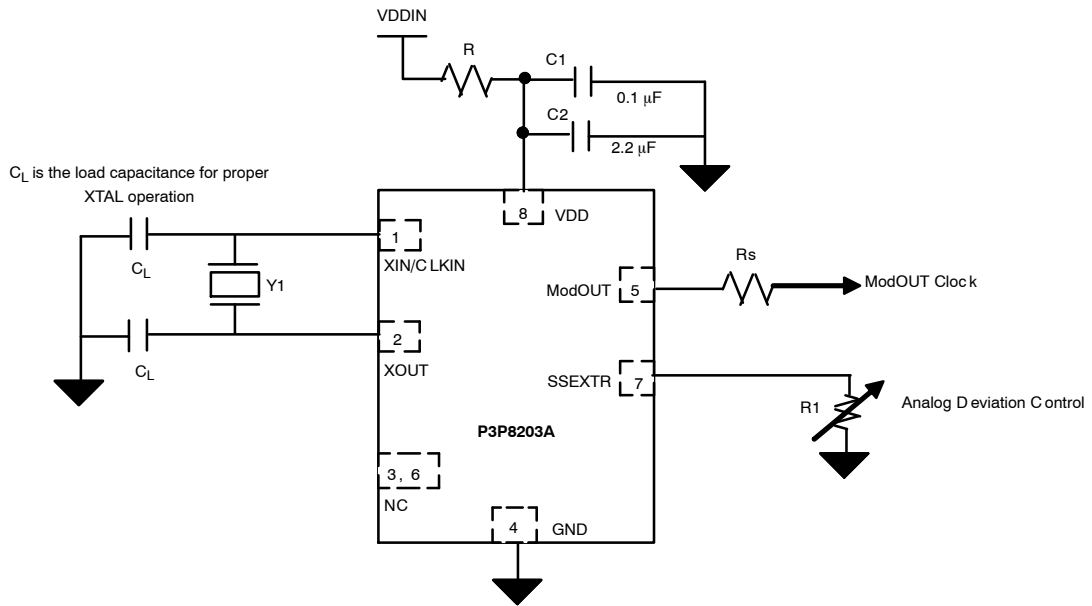


Figure 5. Deviation vs. SSEXTR (@ 27 MHz)

(NOTE: Parameter is guaranteed by design and characterization. Not tested in production.)



Note: Refer Pin Description table for Functionality details

Figure 6. Typical Application Circuit

R_s = Trace Impedance of PCB – Output Impedance of Device (Z_0)

ORDERING INFORMATION

Ordering Code	Marking	Temperature	Package Type	Shipping [†]
P3P8203AMTTBG	GJ	0°C to +70°C	8-pin (2 mm x 2 mm) WDFN (Pb-Free)	3000 / Tape & Reel

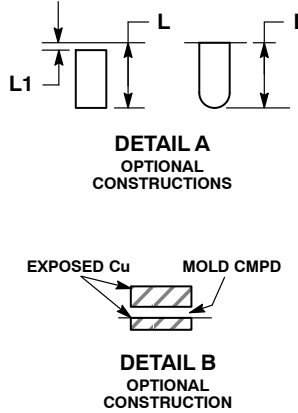
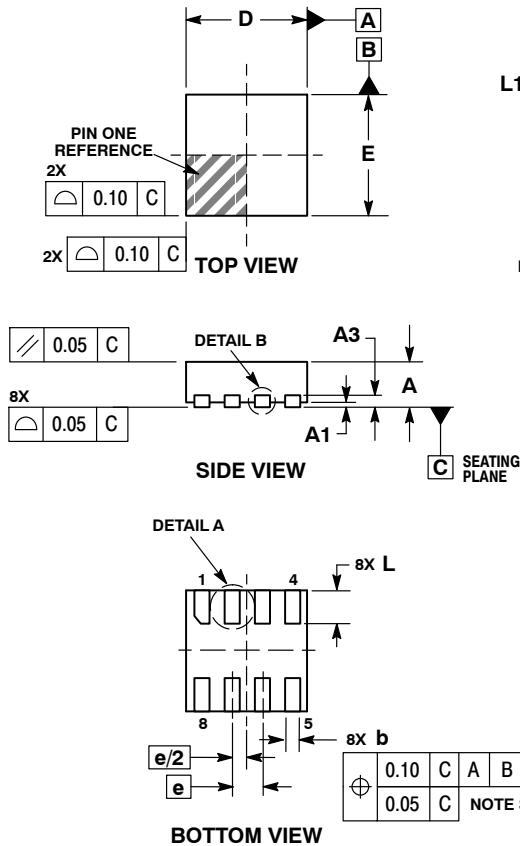
[†]For information on tape and reel specifications, including part orientation and tape sizes, please refer to our Tape and Reel Packaging Specifications Brochure, BRD8011/D.

*A "microdot" placed at the end of last row of marking or just below the last row toward the center of package indicates Pb-Free.

P3P8203A

PACKAGE DIMENSIONS

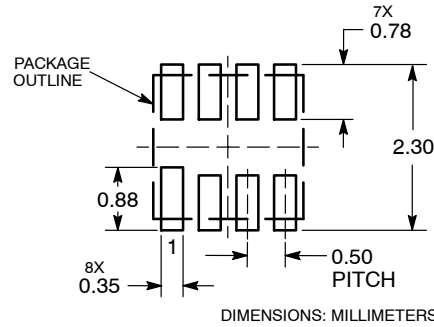
WDFN8 2x2, 0.5P
CASE 511AQ
ISSUE A



- NOTES:
1. DIMENSIONING AND TOLERANCING PER ASME Y14.5M, 1994.
 2. CONTROLLING DIMENSION: MILLIMETERS.
 3. DIMENSION b APPLIES TO PLATED TERMINAL AND IS MEASURED BETWEEN 0.15 AND 0.30mm FROM TERMINAL.

DIM	MILLIMETERS	
	MIN	MAX
A	0.70	0.80
A1	0.00	0.05
A3	0.20	REF
b	0.20	0.30
D	2.00	BSC
E	2.00	BSC
e	0.50	BSC
L	0.50	0.60
L1	---	0.15

RECOMMENDED SOLDERING FOOTPRINT*



*For additional information on our Pb-Free strategy and soldering details, please download the ON Semiconductor Soldering and Mounting Techniques Reference Manual, SOLDERRM/D.

ON Semiconductor and are registered trademarks of Semiconductor Components Industries, LLC (SCILLC). SCILLC owns the rights to a number of patents, trademarks, copyrights, trade secrets, and other intellectual property. A listing of SCILLC's product/patent coverage may be accessed at www.onsemi.com/site/pdf/Patent-Marking.pdf. SCILLC reserves the right to make changes without further notice to any products herein. SCILLC makes no warranty, representation or guarantee regarding the suitability of its products for any particular purpose, nor does SCILLC assume any liability arising out of the application or use of any product or circuit, and specifically disclaims any and all liability, including without limitation special, consequential or incidental damages. "Typical" parameters which may be provided in SCILLC data sheets and/or specifications can and do vary in different applications and actual performance may vary over time. All operating parameters, including "Typicals" must be validated for each customer application by customer's technical experts. SCILLC does not convey any license under its patent rights nor the rights of others. SCILLC products are not designed, intended, or authorized for use as components in systems intended for surgical implant into the body, or other applications intended to support or sustain life, or for any other application in which the failure of the SCILLC product could create a situation where personal injury or death may occur. Should Buyer purchase or use SCILLC products for any such unintended or unauthorized application, Buyer shall indemnify and hold SCILLC and its officers, employees, subsidiaries, affiliates, and distributors harmless against all claims, costs, damages, and expenses, and reasonable attorney fees arising out of, directly or indirectly, any claim of personal injury or death associated with such unintended or unauthorized use, even if such claim alleges that SCILLC was negligent regarding the design or manufacture of the part. SCILLC is an Equal Opportunity/Affirmative Action Employer. This literature is subject to all applicable copyright laws and is not for resale in any manner.

PUBLICATION ORDERING INFORMATION

LITERATURE FULFILLMENT:
Literature Distribution Center for ON Semiconductor
P.O. Box 5163, Denver, Colorado 80217 USA
Phone: 303-675-2175 or 800-344-3860 Toll Free USA/Canada
Fax: 303-675-2176 or 800-344-3867 Toll Free USA/Canada
Email: orderlit@onsemi.com

N. American Technical Support: 800-282-9855 Toll Free
USA/Canada
Europe, Middle East and Africa Technical Support:
Phone: 421 33 790 2910
Japan Customer Focus Center
Phone: 81-3-5817-1050

ON Semiconductor Website: www.onsemi.com
Order Literature: <http://www.onsemi.com/orderlit>

For additional information, please contact your local Sales Representative