

Type CSC-03 Fuse Clip – with End Stops 5mm Diameter Fuses



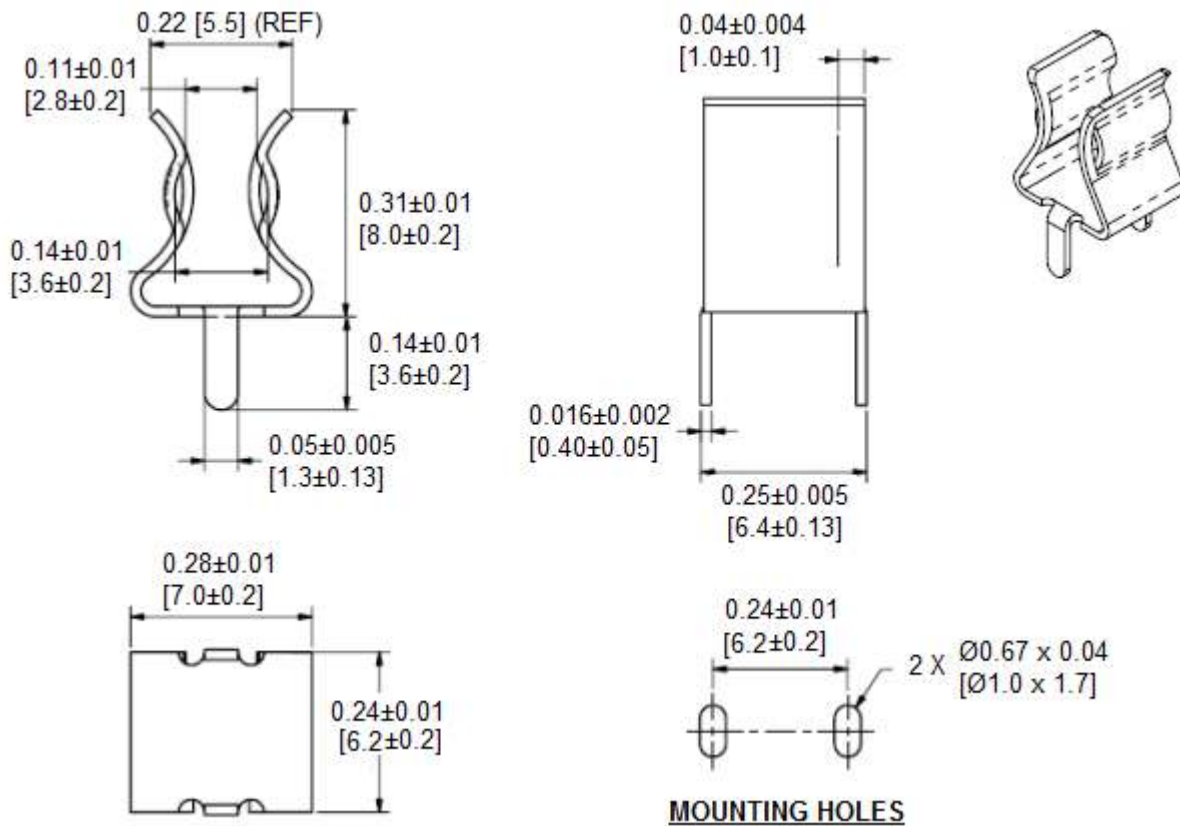
www.optifuse.com (619) 593-5050

Specifications:

- Rating: 10A, 250V AC
- Body Material: Bronze
- Finish: Bright Tin Plated
- Fuse Clip Type: With End Stops

For use with 5mm Diameter Fuses

Mechanical Dimensions: Inches [mm]



Warning:



- Operation beyond the specified maximum ratings or improper use may result in damage and possible electrical arcing and/or flame.
- Avoid contact of device with chemical solvent. Prolonged contact may damage the device performance.

Note: All specifications subject to change without notice.

Rev A 05/2014 - Page: 1/1
Code J01-01H